

# SAC-M12MR/1,5-PUR/2XA-1L-S/0,1 - Sensor/actuator cable



1572430

<https://www.phoenixcontact.com/us/products/1572430>

Please be informed that the data shown in this PDF document is generated from our online catalog. Please find the complete data in the user documentation. Our general terms of use for downloads are valid.



Sensor/actuator cable, 3-position, PUR/PVC, black, Plug angled M12, coding: A, with 1 LED, on Valve connector A, with 1 LED, Wiring: Z diode, cable length: 1.5 m

## Commercial data

Item number	1572430
Packing unit	1 pc
Minimum order quantity	1 pc
Note	Made to order (non-returnable)
Sales key	BF07
Product key	AF1DJA
GTIN	4046356409834
Weight per piece (including packing)	170 g
Weight per piece (excluding packing)	170 g
Customs tariff number	85444290
Country of origin	PL

# SAC-M12MR/1,5-PUR/2XA-1L-S/0,1 - Sensor/actuator cable



1572430

<https://www.phoenixcontact.com/us/products/1572430>

## Technical data

### Product properties

Product type	Sensor/actuator cable with valve connector
Number of positions	3
No. of cable outlets	1
Shielded	no
Coding	A

### Insulation characteristics

Overvoltage category	II
Degree of pollution	3

### Material specifications

Flammability rating according to UL 94	HB
Seal material	TPU
Material housing valve plug	PBT
Material of grip body	TPU, hardly inflammable, self-extinguishing
Contact material	CuSn
Contact surface material	Ni/Au
Contact carrier material	TPU GF
Contact material	CuSn
Valve plug contact insert material	PBT
Contact surface material	Ag

### Electrical properties

Insulation resistance	$\geq 100 \text{ M}\Omega$
Nominal voltage $U_N$	24 V AC 24 V DC
Nominal current $I_N$	4 A

### Mechanical properties

#### Mechanical data

Insertion/withdrawal cycles	$\geq 100$
-----------------------------	------------

### Signaling

Status display	1 LED
Status display present	yes

### Connector

#### Connection 1

Type	Plug angled M12
Number of positions	3

# SAC-M12MR/1,5-PUR/2XA-1L-S/0,1 - Sensor/actuator cable

1572430

<https://www.phoenixcontact.com/us/products/1572430>

Coding type	A
-------------	---


## Connection 2

Type	Valve connector A
Number of positions	3
Material	CuSn (Contact)
	Ag (Contact surface)
	PBT (Contact carrier)
	PBT (Housing)
Protective circuit	Z diode

## Cable/line

Cable length	1.5 m
--------------	-------

PUR/PVC, 0.75 mm<sup>2</sup>, black [116]

Dimensional drawing	
Cable weight	57 kg/km
UL AWM Style	20549
Number of positions	4
Shielded	no
Cable type	PUR/PVC, 0.75 mm <sup>2</sup> , black [116]
Conductor structure signal line	24x 0.20 mm
AWG signal line	18
Conductor cross-section	4x 0.75 mm <sup>2</sup>
Wire diameter incl. insulation	1.7 mm ±0.05 mm
External cable diameter	6.30 mm ±0.2 mm
Outer sheath, material	PUR
External sheath, color	black
Conductor material	Bare Cu litz wires
Material wire insulation	PVC
Single wire, color	black 1, black 2, black 3, green/yellow
Overall twist	4 wires, twisted
Max. conductor resistance	26 Ω/km (at 20 °C)
Insulation resistance	≥ 20 MΩ*km
Nominal voltage, cable	300 V
Test voltage	1200 V
Smallest bending radius, fixed installation	63 mm

according to DIN VDE 0482

# SAC-M12MR/1,5-PUR/2XA-1L-S/0,1 - Sensor/actuator cable



1572430

<https://www.phoenixcontact.com/us/products/1572430>

Flame resistance	According to DIN EN 50265-2-1
	in acc. with UL FT-2
Ambient temperature (operation)	-5 °C ... 80 °C (Cable, flexible installation)
	-40 °C ... 80 °C (cable, fixed installation)

## Environmental and real-life conditions

### Ambient conditions

Degree of protection	IP67
Ambient temperature (operation)	-25 °C ... 90 °C (Plug / socket)
	-20 °C ... 85 °C (Valve connector)
	-30 °C ... 80 °C (cable, fixed installation)
	-5 °C ... 70 °C (Cable, flexible installation)

# SAC-M12MR/1,5-PUR/2XA-1L-S/0,1 - Sensor/actuator cable

1572430

<https://www.phoenixcontact.com/us/products/1572430>

## Drawings

Dimensional drawing



M12 x 1 male plug, angled

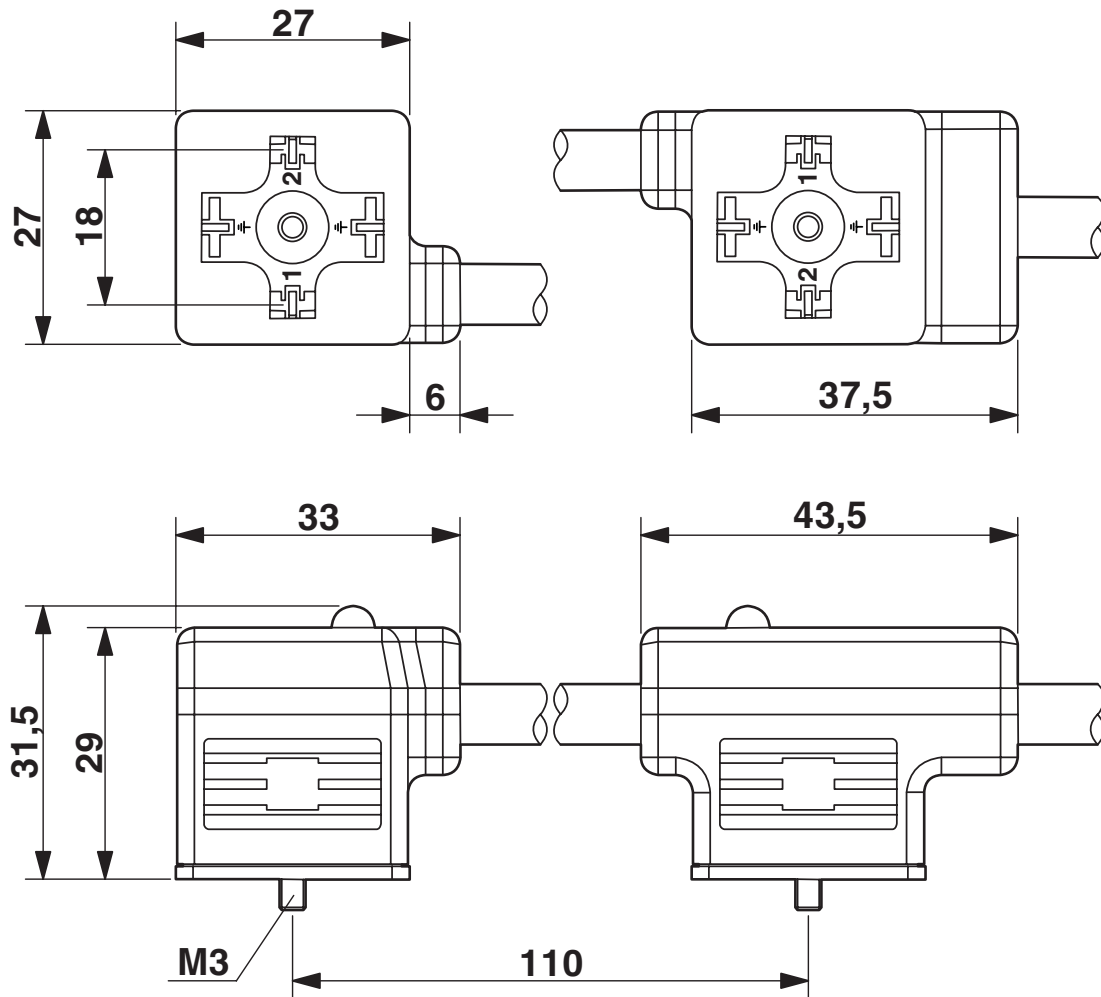
# SAC-M12MR/1,5-PUR/2XA-1L-S/0,1 - Sensor/actuator cable



1572430

<https://www.phoenixcontact.com/us/products/1572430>

Dimensional drawing

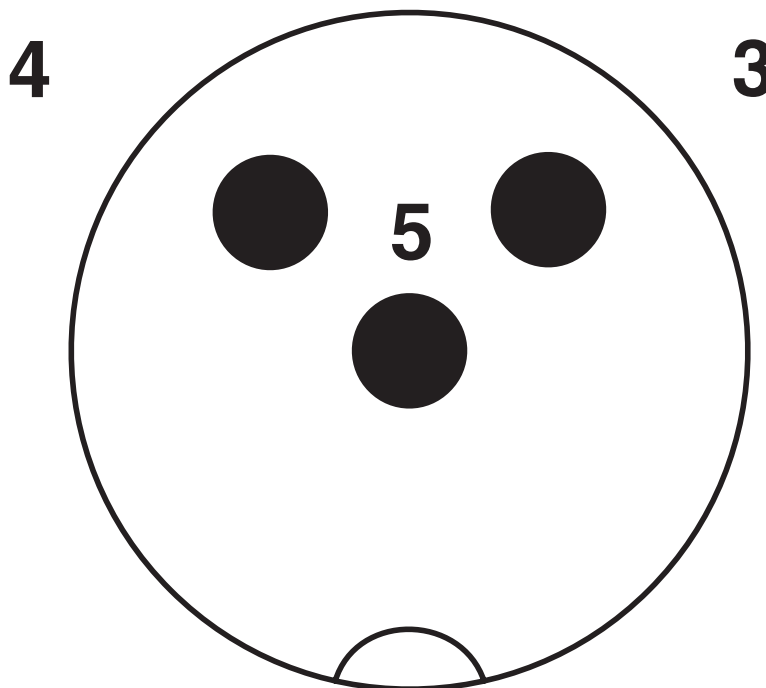


# SAC-M12MR/1,5-PUR/2XA-1L-S/0,1 - Sensor/actuator cable

1572430

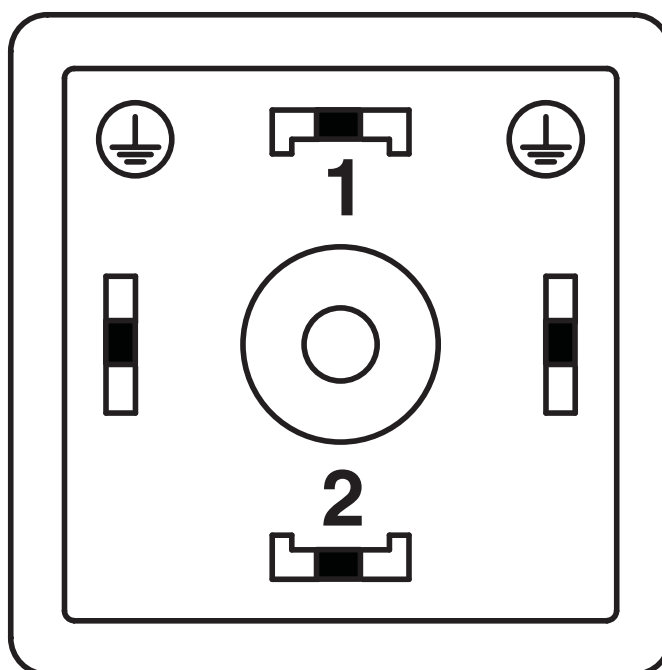
<https://www.phoenixcontact.com/us/products/1572430>

Schematic diagram



Pin assignment M12 plug, 3-pos., valve connector

Schematic diagram



Valve connector pin assignment, type A

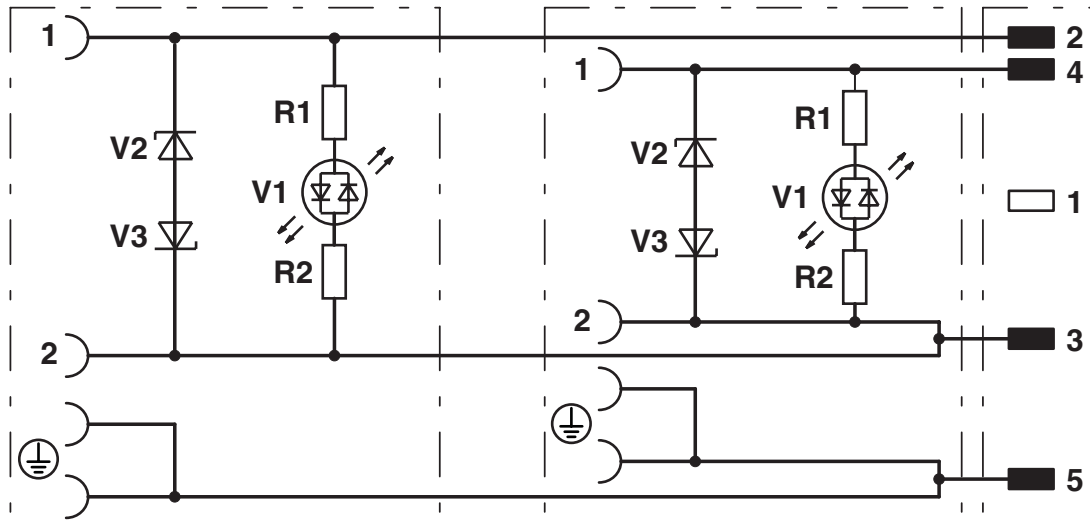
# SAC-M12MR/1,5-PUR/2XA-1L-S/0,1 - Sensor/actuator cable



1572430

<https://www.phoenixcontact.com/us/products/1572430>

Circuit diagram



# SAC-M12MR/1,5-PUR/2XA-1L-S/0,1 - Sensor/actuator cable



1572430

<https://www.phoenixcontact.com/us/products/1572430>

## Classifications

### ECLASS

ECLASS-13.0	27060312
ECLASS-15.0	27060312

### UNSPSC

UNSPSC 21.0	31251501
-------------	----------

Phoenix Contact 2026 © - all rights reserved  
<https://www.phoenixcontact.com>

Phoenix Contact USA  
586 Fulling Mill Road  
Middletown, PA 17057, United States  
(+717) 944-1300  
[info@phoenixcon.com](mailto:info@phoenixcon.com)