

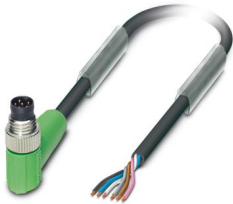
SAC-6P-M 8MR/10,0-PUR/M 8MR - Sensor/actuator cable



1572155

<https://www.phoenixcontact.com/us/products/1572155>

Please be informed that the data shown in this PDF document is generated from our online catalog. Please find the complete data in the user documentation. Our general terms of use for downloads are valid.



Sensor/actuator cable, 6-position, PUR halogen-free, black-gray RAL 7021, Plug angled M8, coding: A, on Plug angled M8, cable length: 10 m

Commercial data

Item number	1572155
Packing unit	1 pc
Minimum order quantity	50 pc
Note	Made to order (non-returnable)
Product key	AF1BGA
GTIN	4046356365932
Weight per piece (including packing)	343.3 g
Weight per piece (excluding packing)	343.9 g
Country of origin	PL

SAC-6P-M 8MR/10,0-PUR/M 8MR - Sensor/actuator cable



1572155

<https://www.phoenixcontact.com/us/products/1572155>

Technical data

Product properties

Product type	Sensor/actuator cable
Number of positions	6
No. of cable outlets	1
Shielded	no
Coding	A

Insulation characteristics

Overvoltage category	II
Degree of pollution	3

Material specifications

Flammability rating according to UL 94	HB
Material of grip body	TPU, hardly inflammable, self-extinguishing
Contact material	CuZn
Contact surface material	Ni/Au
Contact carrier material	TPU GF
Material for screw connection	Zinc die-cast, nickel-plated

Electrical properties

Insulation resistance	$\geq 100 \text{ M}\Omega$
Nominal voltage U_N	30 V AC
	30 V DC
Nominal current I_N	1.5 A

Signaling

Status display	no
Status display present	no

Connector

Connection 1

Type	Plug angled M8
Number of positions	6
Coding type	A

Connection 2

Type	Plug angled M8
Number of positions	6

Cable/line


Cable length	10 m
--------------	------

PUR halogen-free black [PUR]

SAC-6P-M 8MR/10,0-PUR/M 8MR - Sensor/actuator cable

1572155

<https://www.phoenixcontact.com/us/products/1572155>

Dimensional drawing	
Cable weight	34 kg/km
Number of positions	6
Shielded	no
Cable type	PUR halogen-free black [PUR]
Conductor structure signal line	32x 0.10 mm
AWG signal line	24
Conductor cross-section	6x 0.25 mm ² (Signal line)
Wire diameter incl. insulation	1.17 mm ±0.02 mm
External cable diameter	5 mm 5.00 mm ±0.15 mm
Outer sheath, material	PUR
External sheath, color	black-gray RAL 7021
Conductor material	Bare Cu litz wires
Material, filler	PE
Material wire insulation	PP
Single wire, color	brown, white, blue, black, gray, pink
Thickness, insulation	≥ 0.21 mm (Core insulation)
Thickness, outer sheath	approx. 0.70 mm
Overall twist	Six cores around the filler to the core
Max. conductor resistance	78 Ω/km (at 20 °C)
Insulation resistance	≥ 100 MΩ*km (at 20 °C)
Nominal voltage, cable	≤ 300 V
Test voltage	≥ 3000 V
Minimum bending radius, fixed installation	5 x D
Minimum bending radius, flexible installation	10 x D
Smallest bending radius, fixed installation	25 mm
Smallest bending radius, movable installation	50 mm
Dynamic load capacity (bending)	Max. bending cycles: 10000000, Bending radius: 50 mm, Traversing path: 10 m, Traversing rate: 3 m/s, Acceleration: 10 m/s ²
Dynamic load capacity (torsion)	Torsion: ±180 °/m, Torsion cycles: ≥5000000, Torsional frequency: 35 cycles/min.
Halogen-free	in accordance with DIN VDE 0472 part 815
Flame resistance	in accordance with DIN UL-Style 20549
Resistance to oil	in accordance with DIN EN 60811-2-1

Highly resistant to acids, alkaline solutions and solvents

SAC-6P-M 8MR/10,0-PUR/M 8MR - Sensor/actuator cable



1572155

<https://www.phoenixcontact.com/us/products/1572155>

Other resistance	hydrolysis and microbe resistant
	partly UV-resistant (in accordance with DIN EN ISO 4892-2-A)
Special properties	Flexible cable conduit capable
	Silicone-free
	Free of substances which would hinder coating with paint or varnish
Ambient temperature (operation)	-40 °C ... 80 °C (cable, fixed installation)
	-5 °C ... 80 °C (Cable, flexible installation)

Environmental and real-life conditions

Ambient conditions

Degree of protection	IP65
	IP67
	IP68
Ambient temperature (operation)	-25 °C ... 90 °C (Plug / socket)
	-40 °C ... 80 °C (cable, fixed installation)
	-5 °C ... 80 °C (Cable, flexible installation)

SAC-6P-M 8MR/10,0-PUR/M 8MR - Sensor/actuator cable

1572155

<https://www.phoenixcontact.com/us/products/1572155>

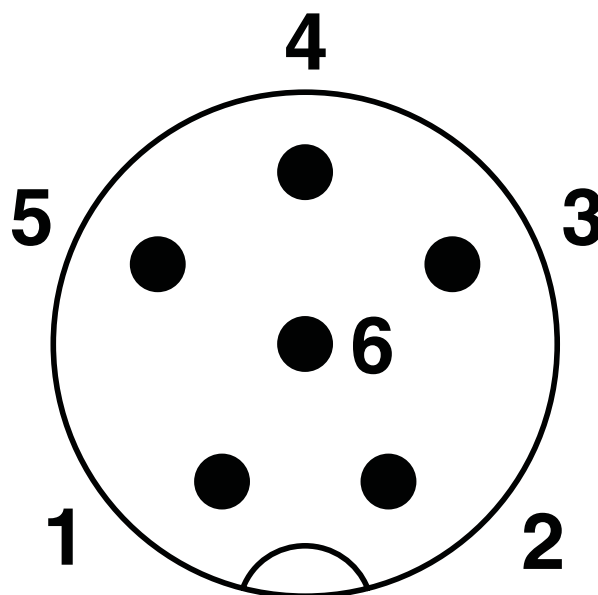
Drawings

Dimensional drawing



M8 x 1 male plug, angled version

Schematic diagram



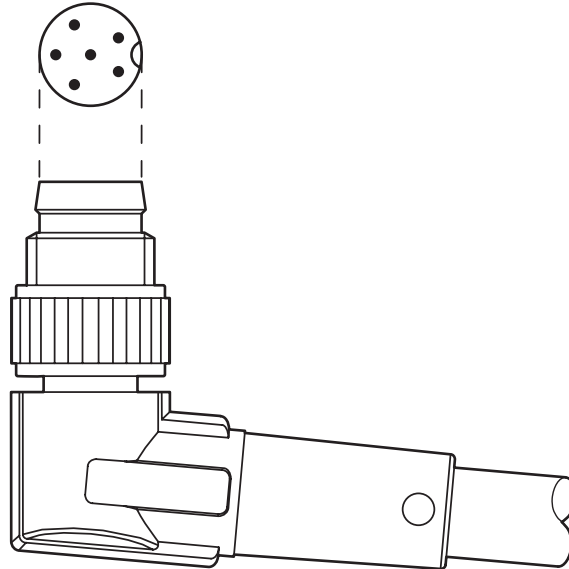
Pin assignment M8 plug, 6-pos., view male side

SAC-6P-M 8MR/10,0-PUR/M 8MR - Sensor/actuator cable

1572155

<https://www.phoenixcontact.com/us/products/1572155>

Schematic diagram



Layout of connector pin assignments

Circuit diagram



Contact assignment of the M8 plug

SAC-6P-M 8MR/10,0-PUR/M 8MR - Sensor/actuator cable





1572155

<https://www.phoenixcontact.com/us/products/1572155>

Approvals

To download certificates, visit the product detail page: <https://www.phoenixcontact.com/us/products/1572155>

 UL Listed Approval ID: FILE E 221474				
	Nominal voltage U_N	Nominal current I_N	Cross section AWG	Cross section mm^2
keine				
	30 V	1.5 A	-	-

 cUL Listed Approval ID: FILE E 221474				
	Nominal voltage U_N	Nominal current I_N	Cross section AWG	Cross section mm^2
keine				
	30 V	1.5 A	-	-

SAC-6P-M 8MR/10,0-PUR/M 8MR - Sensor/actuator cable



1572155

<https://www.phoenixcontact.com/us/products/1572155>

Classifications

ECLASS

ECLASS-13.0	27060311
ECLASS-15.0	27060311

ETIM

ETIM 10.0	EC001855
-----------	----------

UNSPSC

UNSPSC 21.0	26121600
-------------	----------

SAC-6P-M 8MR/10,0-PUR/M 8MR - Sensor/actuator cable



1572155

<https://www.phoenixcontact.com/us/products/1572155>

Environmental product compliance

EU RoHS

Fulfills EU RoHS substance requirements	Yes, No exemptions
---	--------------------

China RoHS

Environment friendly use period (EFUP)	EFUP-E
	No hazardous substances above the limits

EU REACH SVHC

REACH candidate substance (CAS No.)	No substance above 0.1 wt%
-------------------------------------	----------------------------

Phoenix Contact 2026 © - all rights reserved
<https://www.phoenixcontact.com>

Phoenix Contact USA
586 Fulling Mill Road
Middletown, PA 17057, United States
(+717) 944-1300
info@phoenixcon.com