

# SAC-4P-M12MS/3,0-800/M12FR-3LW - Sensor/actuator cable



1569304

<https://www.phoenixcontact.com/us/products/1569304>

Please be informed that the data shown in this PDF document is generated from our online catalog. Please find the complete data in the user documentation. Our general terms of use for downloads are valid.



Sensor/actuator cable, 4-position, PUR halogen-free, resistant to welding sparks, highly flexible, gray RAL 7001, Plug straight M12, coding: A, with 3 LEDs, on Socket angled M12, coding: A, with 3 LEDs, cable length: 3 m

## Commercial data

Item number	1569304
Packing unit	1 pc
Minimum order quantity	25 pc
Product key	AF1CCA
GTIN	4046356555487
Weight per piece (including packing)	118.9 g
Weight per piece (excluding packing)	118.6 g
Country of origin	PL

# SAC-4P-M12MS/3,0-800/M12FR-3LW - Sensor/actuator cable



1569304

<https://www.phoenixcontact.com/us/products/1569304>

## Technical data

### Product properties

Product type	Sensor/actuator cable
Number of positions	4
No. of cable outlets	1
Shielded	no
Coding	A

### Insulation characteristics

Overvoltage category	II
Degree of pollution	3

### Material specifications

Flammability rating according to UL 94	HB
Seal material	NBR
Material of grip body	TPU, hardly inflammable, self-extinguishing
Contact material	CuSn
Contact surface material	Ni/Au
Contact carrier material	TPU GF
Material for screw connection	Zinc die-cast, nickel-plated

### Electrical properties

Insulation resistance	$\geq 100 \text{ M}\Omega$
Nominal voltage $U_N$	250 V
Nominal current $I_N$	4 A

### Mechanical properties

#### Mechanical data

Insertion/withdrawal cycles	$\geq 100$
-----------------------------	------------

### Signaling

Status display	3 LEDs
Status display present	yes

### Connection data

#### Conductor connection

Tightening torque	0.4 Nm (M12 connector)
-------------------	------------------------

### Connector

#### Connection 1

Type	Plug straight M12
Number of positions	4

# SAC-4P-M12MS/3,0-800/M12FR-3LW - Sensor/actuator cable



1569304

<https://www.phoenixcontact.com/us/products/1569304>

Coding type	A
-------------	---

## Connection 2

Type	Socket angled M12
Number of positions	4
Coding type	A

## Cable/line

Cable length	3 m
--------------	-----

Gray, highly flexible PUR [800]

Dimensional drawing	
Note	Due to the extremely robust outer sheath, this cable should only be stripped in 5 cm increments.
Cable weight	33.5 kg/km
UL AWM Style	20549
Number of positions	4
Shielded	no
Cable type	Gray, highly flexible PUR [800]
Conductor structure signal line	42x 0.10 mm
AWG signal line	22
Conductor cross-section	4x 0.34 mm <sup>2</sup> (Signal line)
Wire diameter incl. insulation	1.3 mm ±0.05 mm (Signal line)
External cable diameter	4.80 mm ±0.2 mm
Outer sheath, material	PUR
External sheath, color	gray RAL 7001
Conductor material	Bare Cu litz wires
Material wire insulation	PP
Single wire, color	brown, white, blue, black
Overall twist	4 wires, twisted
Max. conductor resistance	approx. 53 Ω/km
Insulation resistance	≥ 20 MΩ*km
Nominal voltage, cable	300 V
Test voltage	2000 V
Minimum bending radius, fixed installation	4 x D
Minimum bending radius, flexible installation	7.5 x D
Smallest bending radius, fixed installation	20 mm
Smallest bending radius, movable installation	36 mm

# SAC-4P-M12MS/3,0-800/M12FR-3LW - Sensor/actuator cable



1569304

<https://www.phoenixcontact.com/us/products/1569304>

Dynamic load capacity (bending)	Max. bending cycles: 10000000, Bending radius: 7,5 x D, Traversing path: 5 m, Traversing rate: 3.3 m/s, Acceleration: 5 m/s <sup>2</sup>
	Max. bending cycles: 15000000, Bending radius: 50 mm, Traversing path: 0.9 m, Traversing rate: 5 m/s, Acceleration: 30 m/s <sup>2</sup>
Dynamic load capacity (torsion)	Torsion: ±360 °/m, Torsion cycles: 1000000, Torsional frequency: 35 cycles/min.
Halogen-free	in accordance with DIN VDE 0472 part 815
Flame resistance	in accordance with UL 758/1581 FT2
Resistance to oil	in accordance with DIN EN 60811-2-1
Other resistance	Highly resistant to acids, alkaline solutions and solvents Silicone-free
Special properties	Cable jacket is welding spark-resistant, recyclable, matt, low-adhesion, abrasion-resistant, flame-retardant, and self-extinguishing
	Free from silicone and cadmium
	Free of substances which would hinder coating with paint or varnish
Ambient temperature (operation)	-40 °C ... 80 °C (cable, fixed installation)
	-25 °C ... 80 °C (Cable, flexible installation)

## Environmental and real-life conditions

### Ambient conditions

Degree of protection	IP65
	IP67
	IP68
Ambient temperature (operation) (male connector/female connector)	-25 °C ... 90 °C (Plug / socket)
Ambient temperature (operation)	-40 °C ... 80 °C (cable, fixed installation)
	-5 °C ... 80 °C (Cable, flexible installation)

# SAC-4P-M12MS/3,0-800/M12FR-3LW - Sensor/actuator cable

1569304

<https://www.phoenixcontact.com/us/products/1569304>

## Drawings

Dimensional drawing



Plug, M12 x 1, straight, shielded

Dimensional drawing



Socket M12 x 1, angled, with LED

# SAC-4P-M12MS/3,0-800/M12FR-3LW - Sensor/actuator cable

1569304

<https://www.phoenixcontact.com/us/products/1569304>

Schematic diagram



Pin assignment M12 plug, 4-pos., A-coded, view plug side

# SAC-4P-M12MS/3,0-800/M12FR-3LW - Sensor/actuator cable

1569304

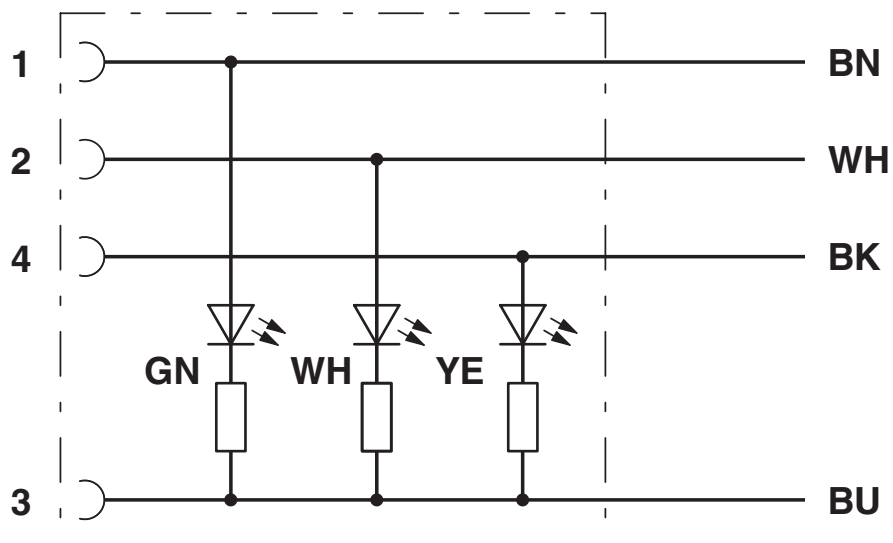
<https://www.phoenixcontact.com/us/products/1569304>

Schematic diagram



Pin assignment M12 socket, 4-pos., A-coded, view female side

Circuit diagram



Contact assignment of the M12 plug and the M12 socket

# SAC-4P-M12MS/3,0-800/M12FR-3LW - Sensor/actuator cable



1569304

<https://www.phoenixcontact.com/us/products/1569304>

## Classifications

### ECLASS

ECLASS-13.0	27060311
ECLASS-15.0	27060311

### UNSPSC

UNSPSC 21.0	26121600
-------------	----------

# SAC-4P-M12MS/3,0-800/M12FR-3LW - Sensor/actuator cable



1569304

<https://www.phoenixcontact.com/us/products/1569304>

## Environmental product compliance

### EU RoHS

Fulfills EU RoHS substance requirements	Yes, No exemptions
---	--------------------

### China RoHS

Environment friendly use period (EFUP)	EFUP-E
	No hazardous substances above the limits

### EU REACH SVHC

REACH candidate substance (CAS No.)	No substance above 0.1 wt%
-------------------------------------	----------------------------

Phoenix Contact 2026 © - all rights reserved  
<https://www.phoenixcontact.com>

Phoenix Contact USA  
586 Fulling Mill Road  
Middletown, PA 17057, United States  
(+717) 944-1300  
[info@phoenixcon.com](mailto:info@phoenixcon.com)