

PTCB BE PT 6 - Base element

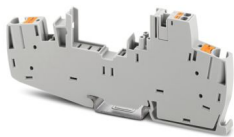


1567576

<https://www.phoenixcontact.com/us/products/1567576>

Please be informed that the data shown in this PDF document is generated from our online catalog. Please find the complete data in the user documentation. Our general terms of use for downloads are valid.

Base element, mounting type: DIN rail: TH 35 - 7.5 mm, rated current: 31 A



Your advantages

- More space in control cabinets thanks to only 8 mm overall width
- Simple application setup due to bridging option to CLIPLINE complete terminal block system
- Transparency regarding the utilization and status of the system thanks to integrated connections for individual or collective signals
- Easy commissioning and maintenance thanks to pre-installable wiring that remains untouched when replacing the connector

Commercial data

Item number	1567576
Packing unit	1 pc
Sales key	CL10
Product key	CLA197
GTIN	4067923054332
Weight per piece (including packing)	39.4 g
Weight per piece (excluding packing)	28.01 g
Customs tariff number	85366990
Country of origin	TR

Technical data

Notes

General

Note	The base element does not contain any electronic circuits.
------	--

Product properties

Product type	Base element
Mechanical service life	25 insertion cycles

Insulation characteristics

Overvoltage category	II (250 V AC / IEC 60934)
	III (UL 1077, UL 1059)
	III (80 V DC / IEC 60934)
Pollution degree	2 (250 V AC / IEC 60934)
	3 (UL 1077, UL 1059)

Electrical properties

General

Rated voltage	240 V AC (IEC 60934)
	277 V AC (UL 1077)
	277 V AC (UL 1059)
	56 V DC (IEC 60934)
	56 V DC (UL 1077)
	56 V DC (UL 1059)
Rated insulation voltage U_i	250 V AC (IEC 60934)
	80 V DC (IEC 60934)
	277 V AC (UL 1077)
	277 V AC (UL 1059)
Rated current I_N	31 A (UL 1059, without device circuit breaker)
	16 A (Main contacts 1-2, UL 1077 and IEC 60934)
	1 A (Auxiliary contacts 3-4, without device circuit breaker)
Rated surge voltage	2.5 kV (IEC 60934, reinforced insulation between load and auxiliary circuit)
Insulation resistance R_{ISO}	> 100 M Ω (500 V DC)
Dielectric strength	3000 V AC (between load circuit 1-2 and auxiliary circuit 3-4)
	1554 V AC (between open load contacts 1-2, auxiliary contacts 3-4)

Indicator/remote signaling

Connection name	Connection 3 / 4
-----------------	------------------

Connection data

Connection 1 / 2

PTCB BE PT 6 - Base element



1567576

<https://www.phoenixcontact.com/us/products/1567576>

Connection method	Push-in connection
Stripping length	12 mm
Conductor cross-section flexible	0.5 mm ² ... 10 mm ²
Conductor cross-section rigid	0.5 mm ² ... 10 mm ² 1 mm ² ... 10 mm ² (direct plug-in)
Conductor cross-section AWG	20 ... 8
Conductor cross-section, flexible, with ferrule, with plastic sleeve	0.5 mm ² ... 6 mm ² 1 mm ² ... 6 mm ² (direct plug-in)
Conductor cross-section, flexible, with ferrule, without plastic sleeve	0.5 mm ² ... 6 mm ² 1 mm ² ... 6 mm ² (direct plug-in)

Connection 3 / 4

Connection method	Push-in connection
Stripping length	8 mm
Conductor cross-section flexible	0.14 mm ² ... 1.5 mm ²
Conductor cross-section rigid	0.14 mm ² ... 1.5 mm ²
Conductor cross-section AWG	26 ... 16
Conductor cross-section, flexible, with ferrule, with plastic sleeve	0.14 mm ² ... 1.5 mm ²
Conductor cross-section, flexible, with ferrule, without plastic sleeve	0.14 mm ² ... 1.5 mm ²

Dimensions

Dimensional drawing	
Width	8.2 mm
Height	122.9 mm
Depth	54.1 mm
Complete module width	8.2 mm
Complete module height	122.9 mm
Complete module depth	85.2 mm

Material specifications

Color	gray (RAL 7042)
Material	PA
Flammability rating according to UL 94	V-0
Insulating material group	I

Mechanical properties

Mechanical data

Open side panel	No
-----------------	----

Environmental and real-life conditions

Ambient conditions

Degree of protection	IP20
Ambient temperature (operation)	-30 °C ... 60 °C
Ambient temperature (storage/transport)	-40 °C ... 80 °C
Altitude	≤ 2000 m (250 V AC / IEC 60934)
Humidity test	96 h, 95 % RH, 40 °C
Shock (operation)	30g (IEC 60068-2-27, Test Ea) Category 1, Class B (DIN EN 61373)
Vibration (operation)	10 Hz ... 150 Hz, 20 cycles (IEC 60068-2-6, Test Fc) 10 Hz ... 75 Hz (Amplitude ±0.35 mm; in accordance with IEC 60068-2-6, Test Fc) 75 Hz ... 150 Hz (8g) Category 1, Class B (DIN EN 61373)

Approvals

UL approval

Identification	UL Recognized UL 1059 UL Recognized UL 1077
----------------	--

CSA, Canada

Identification	CSA C22.2 No. 235-04
----------------	----------------------

Standards and regulations

Standards/specifications	IEC 60934
Note	2019
Standards/specifications	UL 1077
Note	Additional protective devices for use in electrical equipment
Standards/specifications	UL 1059
Note	Terminal blocks
Standards/specifications	CSA C22.2 No. 235-04
Note	2017
Standards/specifications	IEC 60068-2-6
Note	Environmental influences – Vibrations (sinusoidal)
Standards/specifications	EN 60068-2-27
Note	Environmental influences – Shocks
Standards/specifications	EN 60068-2-78
Note	Environmental influences – Moisture and heat, constant
Standards/specifications	DIN EN 50274
Note	Touch protection and back-of-hand safety
Standards/specifications	IEC 60529
Note	2019
Standards/specifications	EN 61373

PTCB BE PT 6 - Base element



1567576

<https://www.phoenixcontact.com/us/products/1567576>

Note	Railway applications - Rolling stock equipment - Shock and vibration tests
Standards/specifications	EN 45545-2
Note	Railway applications - Fire protection on railway vehicles - Part 2: Requirements for fire behavior of materials and components

Mounting

Mounting type	DIN rail: TH 35 - 7.5 mm
---------------	--------------------------

PTCB BE PT 6 - Base element

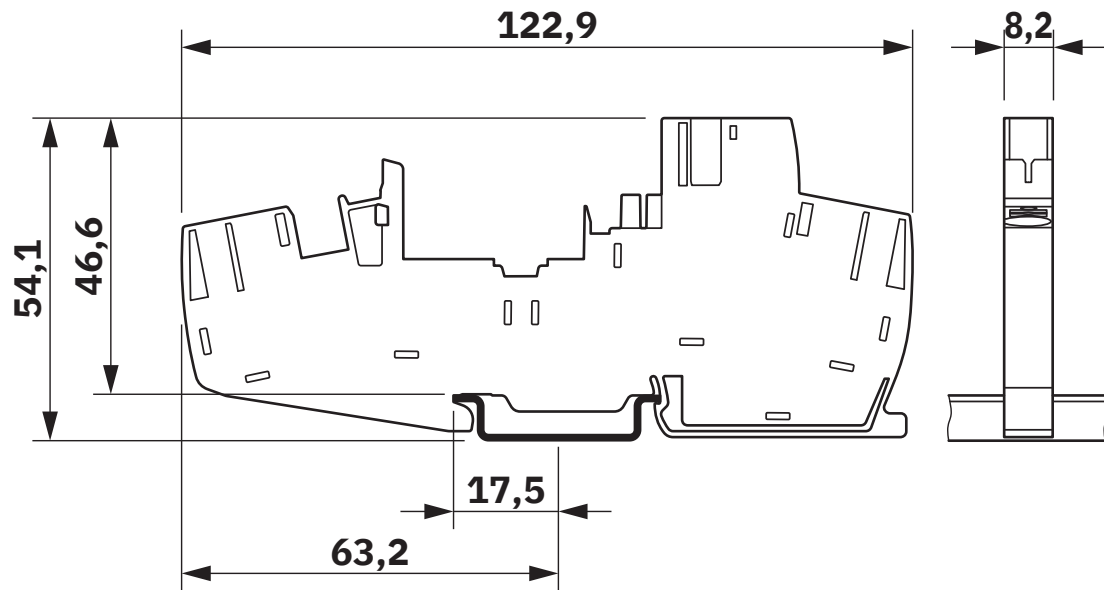
1567576

<https://www.phoenixcontact.com/us/products/1567576>



Drawings

Dimensional drawing



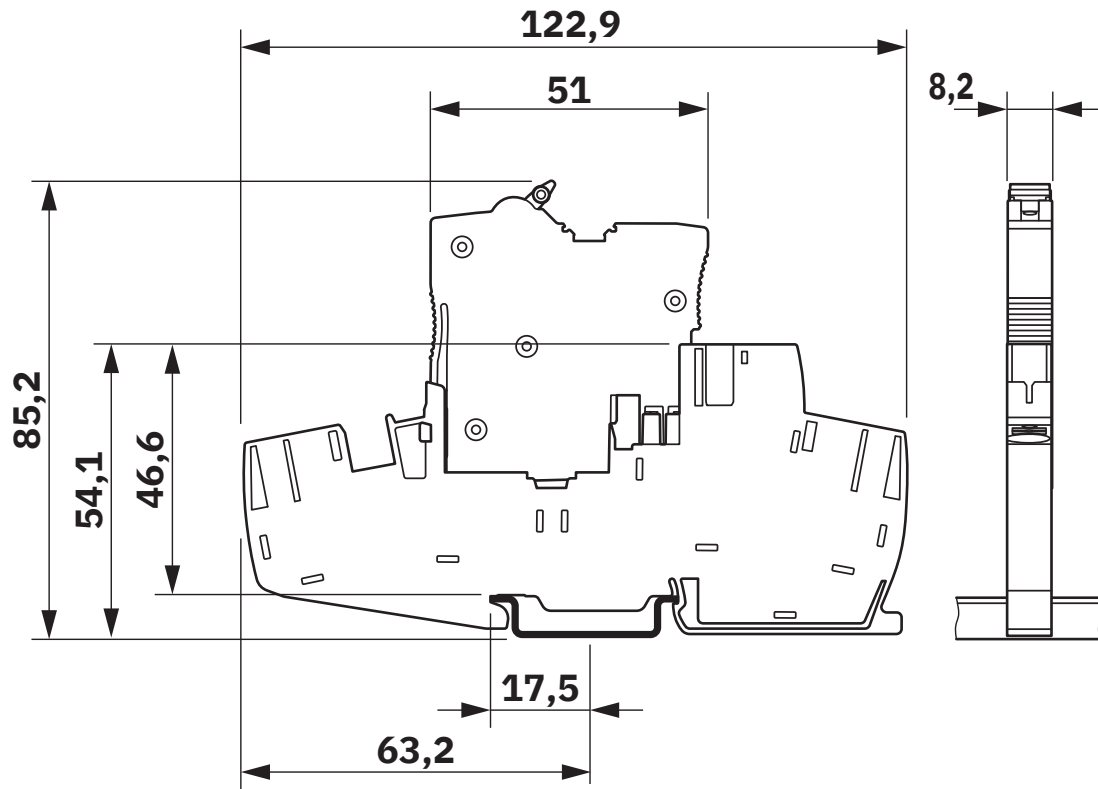
PTCB BE PT 6 - Base element

1567576

<https://www.phoenixcontact.com/us/products/1567576>



Dimensional drawing



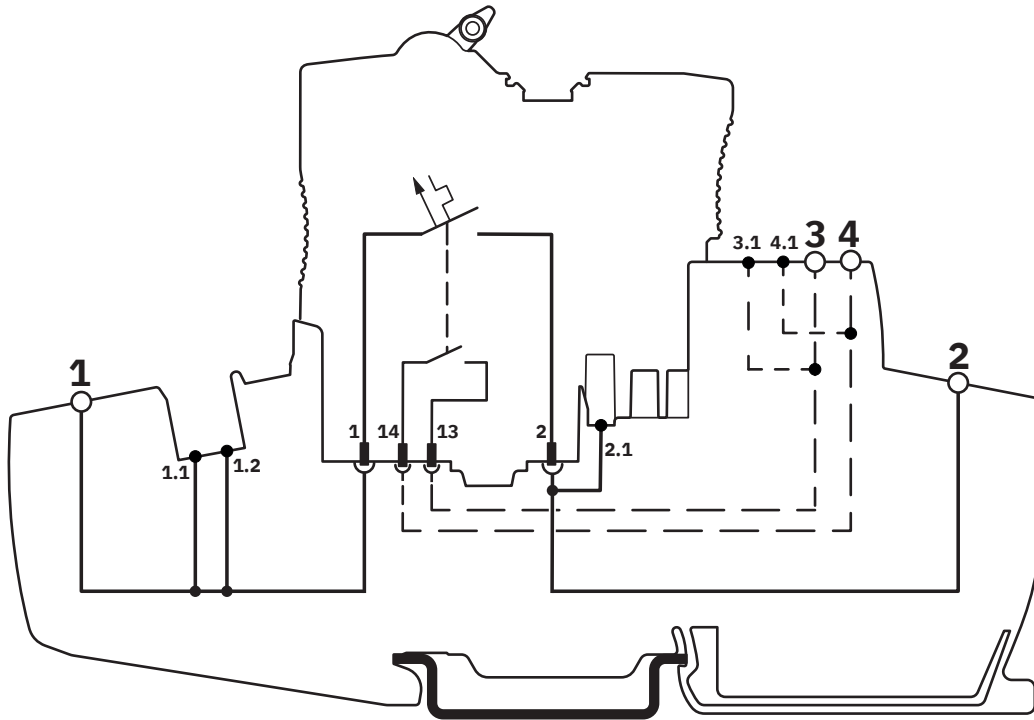
The figure shows the complete module consisting of a base element and connector

PTCB BE PT 6 - Base element

1567576

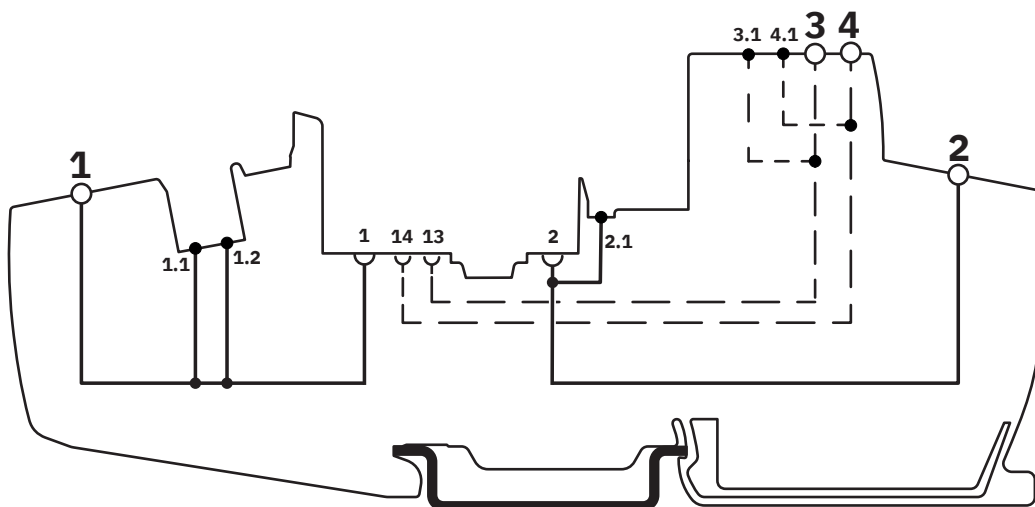
<https://www.phoenixcontact.com/us/products/1567576>

Connection diagram



The figure shows the product in conjunction with a male connector

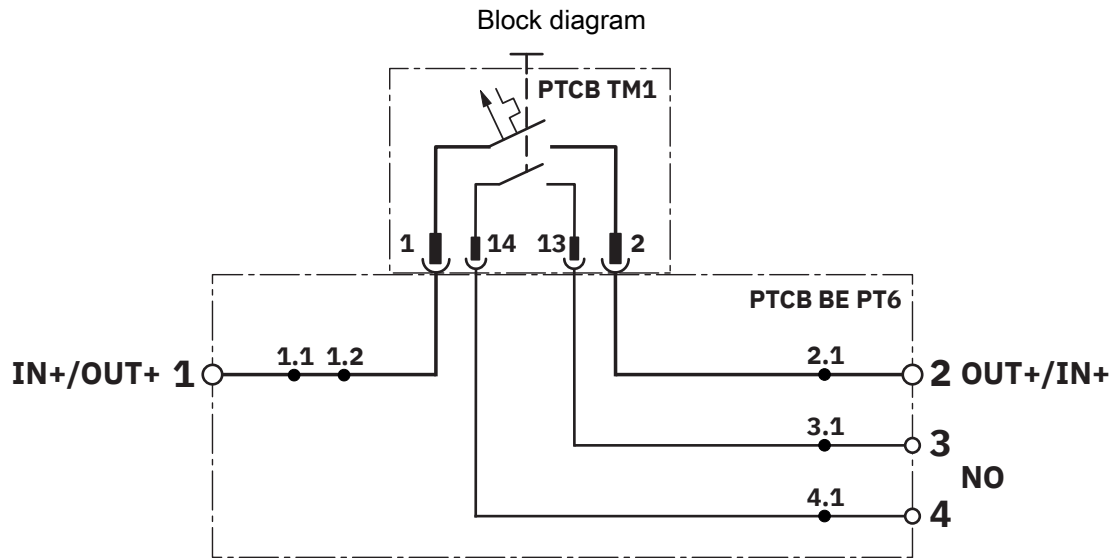
Connection diagram



PTCB BE PT 6 - Base element

1567576

<https://www.phoenixcontact.com/us/products/1567576>



PTCB BE PT 6 - Base element



1567576

<https://www.phoenixcontact.com/us/products/1567576>

Approvals

To download certificates, visit the product detail page: <https://www.phoenixcontact.com/us/products/1567576>



IECEE CB Scheme
Approval ID: DE1-69241



cULus Recognized
Approval ID: E60425

PTCB BE PT 6 - Base element



1567576

<https://www.phoenixcontact.com/us/products/1567576>

Classifications

ECLASS

ECLASS-13.0	27140401
ECLASS-15.0	27140401

ETIM

ETIM 10.0	EC003538
-----------	----------

PTCB BE PT 6 - Base element



1567576

<https://www.phoenixcontact.com/us/products/1567576>

Environmental product compliance

EU RoHS

Fulfills EU RoHS substance requirements	Yes, No exemptions
---	--------------------

China RoHS

Environment friendly use period (EFUP)	EFUP-E
	No hazardous substances above the limits

EU REACH SVHC

REACH candidate substance (CAS No.)	No substance above 0.1 wt%
-------------------------------------	----------------------------

Phoenix Contact 2026 © - all rights reserved
<https://www.phoenixcontact.com>

Phoenix Contact USA
586 Fulling Mill Road
Middletown, PA 17057, United States
(+717) 944-1300
info@phoenixcon.com