

# SAC-4P- 5,0-140/M12FR YE - Sensor/actuator cable



1566077

<https://www.phoenixcontact.com/us/products/1566077>

Please be informed that the data shown in this PDF document is generated from our online catalog. Please find the complete data in the user documentation. Our general terms of use for downloads are valid.



Sensor/actuator cable, 4-position, PUR/PVC, yellow, free cable end, on Socket angled M12, coding: A, cable length: 5 m

as in the figure, but with a yellow handle and a yellow conductor

## Commercial data

Item number	1566077
Packing unit	5 pc
Minimum order quantity	50 pc
Product key	AF1CCA
GTIN	4046356324984
Weight per piece (including packing)	215.5 g
Weight per piece (excluding packing)	202.3 g
Country of origin	DE

# SAC-4P- 5,0-140/M12FR YE - Sensor/actuator cable



1566077

<https://www.phoenixcontact.com/us/products/1566077>

## Technical data

### Product properties

Product type	Sensor/actuator cable
Number of positions	4
No. of cable outlets	1
Shielded	no
Coding	A

### Insulation characteristics

Overvoltage category	II
Degree of pollution	3

### Material specifications

Flammability rating according to UL 94	HB
Seal material	NBR
Material of grip body	TPU, hardly inflammable, self-extinguishing
Contact material	CuSn
Contact surface material	Ni/Au
Contact carrier material	TPU GF
Material for screw connection	Zinc die-cast, nickel-plated

### Electrical properties

Insulation resistance	≤ 10 MΩ
Nominal voltage $U_N$	250 V AC
	250 V DC
Nominal current $I_N$	4 A

### Mechanical properties

#### Mechanical data

Insertion/withdrawal cycles	≥ 100
-----------------------------	-------

### Signaling

Status display	no
Status display present	no

### Connection data

#### Conductor connection

Tightening torque	0.4 Nm
-------------------	--------

### Connector

#### Connection 1

Type	free cable end
------	----------------

# SAC-4P- 5,0-140/M12FR YE - Sensor/actuator cable



1566077

<https://www.phoenixcontact.com/us/products/1566077>

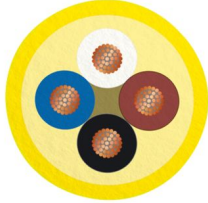
## Connection 2

Type	Socket angled M12
Number of positions	4
Coding type	A

## Cable/line

Cable length	5 m
--------------	-----

### PUR/PVC yellow [140]

Dimensional drawing	
Cable weight	39 kg/km
UL AWM Style	20549
Number of positions	4
Shielded	no
Cable type	PUR/PVC yellow [140]
Conductor structure signal line	42x 0.10 mm
AWG signal line	22
Conductor cross-section	4x 0.34 mm <sup>2</sup> (Signal line)
Wire diameter incl. insulation	1.5 mm ±0.05 mm
External cable diameter	5.20 mm ±0.2 mm
Outer sheath, material	PUR
External sheath, color	yellow
Conductor material	Bare Cu litz wires
Material wire insulation	PVC
Single wire, color	brown, white, blue, black
Thickness, insulation	approx. 0.30 mm (Core insulation) ≥ 0.38 mm (Outer cable sheath) approx. 0.35 mm (Inner sheath)
Overall twist	4 wires, twisted
Max. conductor resistance	max. 58 Ω/km (at 20 °C)
Insulation resistance	≥ 1 GΩ*km (at 20 °C)
Nominal voltage, cable	≤ 300 V
Test voltage	≥ 3000 V
Smallest bending radius, fixed installation	52 mm
Smallest bending radius, movable installation	52 mm
Dynamic load capacity (bending)	Max. bending cycles: 2000000, Bending radius: 52 mm, Traversing path: 5 m, Traversing rate: 3 m/s

# SAC-4P- 5,0-140/M12FR YE - Sensor/actuator cable



1566077

<https://www.phoenixcontact.com/us/products/1566077>

Flame resistance	in accordance with DIN UL-Style 20549
Ambient temperature (operation)	-25 °C ... 80 °C (cable, fixed installation)
	-5 °C ... 80 °C (Cable, flexible installation)

## Environmental and real-life conditions

### Ambient conditions

Degree of protection	IP65
	IP67
	IP68
Ambient temperature (operation)	-25 °C ... 90 °C (Plug / socket)
	-25 °C ... 80 °C (cable, fixed installation)
	-5 °C ... 80 °C (Cable, flexible installation)

# SAC-4P- 5,0-140/M12FR YE - Sensor/actuator cable

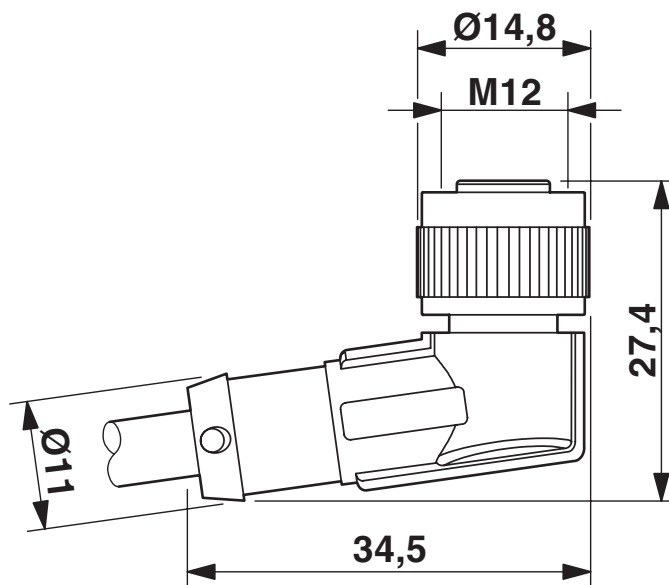
1566077

<https://www.phoenixcontact.com/us/products/1566077>



## Drawings

Dimensional drawing



M12 x 1 socket, angled

1566077

<https://www.phoenixcontact.com/us/products/1566077>

Schematic diagram



Pin assignment M12 socket, 4-pos., A-coded, view female side

Circuit diagram



Contact assignment of the M12 socket

# SAC-4P- 5,0-140/M12FR YE - Sensor/actuator cable



1566077

<https://www.phoenixcontact.com/us/products/1566077>

## Classifications

### ECLASS

ECLASS-13.0	27060311
ECLASS-15.0	27060311

# SAC-4P- 5,0-140/M12FR YE - Sensor/actuator cable



1566077

<https://www.phoenixcontact.com/us/products/1566077>

## Environmental product compliance

### EU RoHS

Fulfills EU RoHS substance requirements	Yes, No exemptions
---	--------------------

### China RoHS

Environment friendly use period (EFUP)	EFUP-E
	No hazardous substances above the limits

### EU REACH SVHC

REACH candidate substance (CAS No.)	No substance above 0.1 wt%
-------------------------------------	----------------------------

Phoenix Contact 2026 © - all rights reserved  
<https://www.phoenixcontact.com>

Phoenix Contact USA  
586 Fulling Mill Road  
Middletown, PA 17057, United States  
(+717) 944-1300  
[info@phoenixcon.com](mailto:info@phoenixcon.com)