

# VS-04-2X2X26C7/7-SDA/SDA/3,5 - USB cable



1563151

<https://www.phoenixcontact.com/us/products/1563151>

Please be informed that the data shown in this PDF document is generated from our online catalog. Please find the complete data in the user documentation. Our general terms of use for downloads are valid.



Assembled USB cable, shielded, color: RAL 5021 (water blue), PUR outer sheath, USB type A/standard on USB type A/standard, length: 3.5 m

## Commercial data

Item number	1563151
Packing unit	1 pc
Minimum order quantity	1 pc
Note	Made to order (non-returnable)
Sales key	AB14
Product key	ABNDBA
GTIN	4046356302531
Weight per piece (including packing)	229.5 g
Weight per piece (excluding packing)	192.5 g
Customs tariff number	85444290
Country of origin	DE

1563151

<https://www.phoenixcontact.com/us/products/1563151>

## Technical data

### Product properties

Product type	Data cable preassembled
Sensor type	USB 2.0
Number of positions	4
Shielded	yes

### Insulation characteristics

Degree of pollution	2
---------------------	---

### Electrical properties

Rated voltage (III/3)	125 V
Rated current	1 A
Transmission medium	Copper
Transmission characteristics (category)	USB 2.0
Wave impedance	100 Ω

### Mechanical properties

#### Mechanical data

Insertion/withdrawal cycles	≥ 500
-----------------------------	-------

### Material specifications

Housing material	PA
Outer sheath, material	PUR
Conductor material	Bare Cu litz wires

### Cable/line

#### FireWire [980]

Cable weight	59 kg/km
Number of positions	6
Shielded	yes
Cable type	FireWire [980]
Conductor structure	2x2xAWG26/7 + 2xAWG20/19, S/FTP
Signal runtime	4.6 ns/m
Signal speed	0.72 c
Conductor structure signal line	7x 0.15 mm
AWG signal line	26
Conductor structure, voltage supply	19x 0.20 mm
AWG power supply	20
Conductor cross-section	2x 2x 0.14 mm <sup>2</sup> (Signal line)
	2x 0.5 mm <sup>2</sup> (Power supply)
Wire diameter incl. insulation	≤ 1.05 mm (Signal line)

# VS-04-2X2X26C7/7-SDA/SDA/3,5 - USB cable



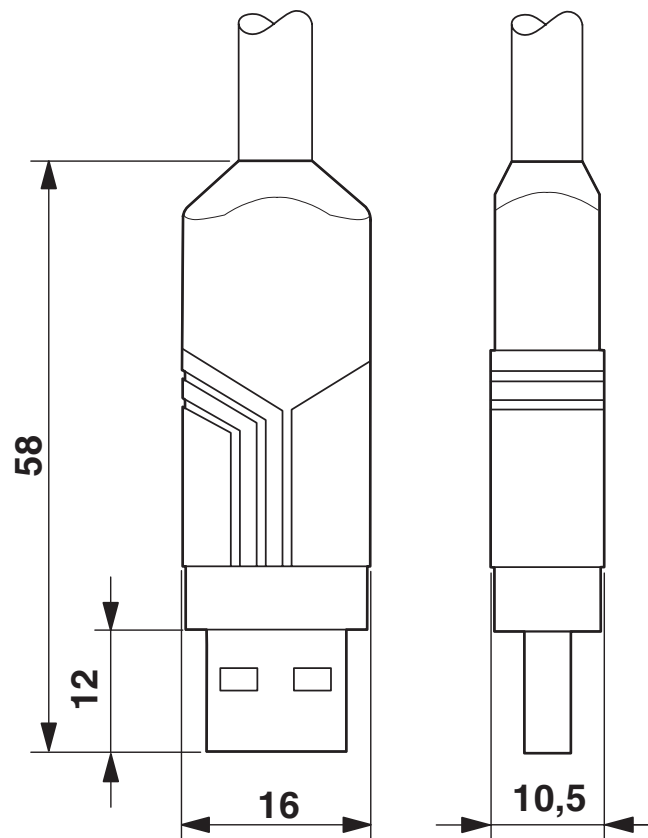
1563151

<https://www.phoenixcontact.com/us/products/1563151>

	nom. 1.4 mm (Power supply)
External cable diameter	6.70 mm
Outer sheath, material	PUR
External sheath, color	water blue RAL 5021
Conductor material	Bare Cu litz wires
Material wire insulation	Cell PE (Signal line)
	PVC (Power supply)
Single wire, color	white-blue, white-orange, white, black
Twisted pairs	2 cores to the pair
Type of pair shielding	Aluminum-lined polyester foil
Overall twist	Two pairs and two power supply wires to the core
Max. conductor resistance	150 Ω/km
Insulation resistance	5 GΩ*km
Coupling resistance	5.00 mΩ/m (at 10 MHz)
Wave impedance	100 Ω ±5 % (at 100 MHz)
Working capacitance	42 pF (per meter)
Nominal voltage, cable	≤ 125 V
Test voltage	1000 V
Minimum bending radius, fixed installation	5 x D
Minimum bending radius, flexible installation	5 x D
Smallest bending radius, fixed installation	34 mm
Smallest bending radius, movable installation	34 mm
Tensile strength	≤ 30 N
Shield attenuation	60.00 dB (up to 1000 MHz)
Flame resistance	complying with IEC 60332-2-2
Resistance to oil	in accordance with EN 60811-2-1
Other resistance	Microbe resistance as per DIN VDE 0282
	Hydrolysis resistance as per DIN 53504
Special properties	Free of substances which would hinder coating with paint or varnish
Ambient temperature (operation)	-40 °C ... 70 °C (cable, fixed installation)
	-10 °C ... 50 °C (Cable, flexible installation)

## Drawings

Dimensional drawing



USB connector, type A, Standard

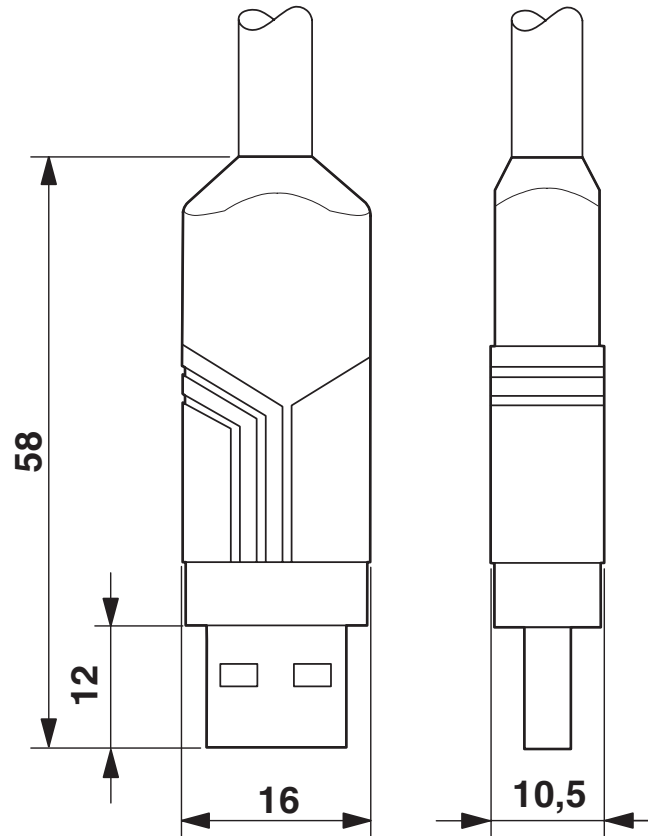
# VS-04-2X2X26C7/7-SDA/SDA/3,5 - USB cable

1563151

<https://www.phoenixcontact.com/us/products/1563151>



Dimensional drawing

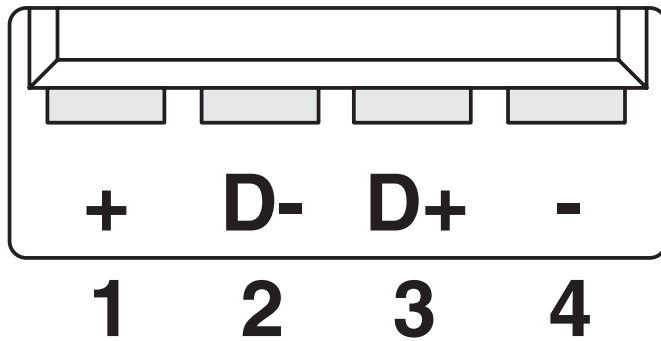


USB connector, type A, Standard

1563151

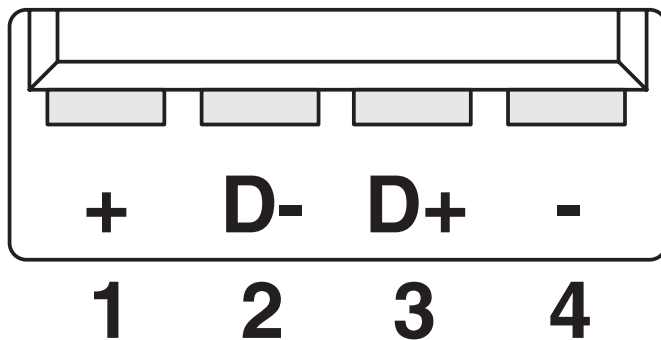
<https://www.phoenixcontact.com/us/products/1563151>

Schematic diagram



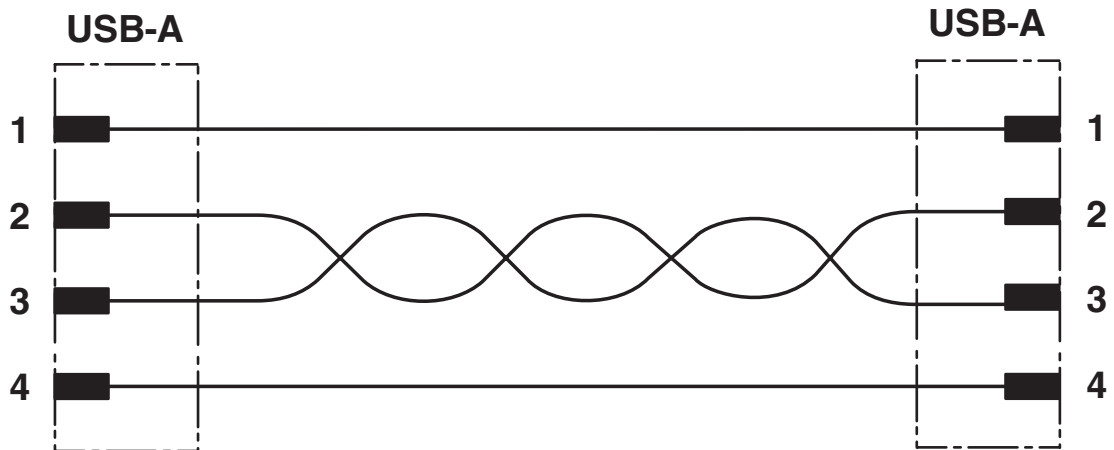
Pin assignment plug USB, type A

Schematic diagram



Pin assignment plug USB, type A

Circuit diagram



# VS-04-2X2X26C7/7-SDA/SDA/3,5 - USB cable



1563151

<https://www.phoenixcontact.com/us/products/1563151>

## Classifications

### ECLASS

ECLASS-13.0	27060307
ECLASS-15.0	27060328

### ETIM

ETIM 10.0	EC001855
-----------	----------

### UNSPSC

UNSPSC 21.0	26121600
-------------	----------

# VS-04-2X2X26C7/7-SDA/SDA/3,5 - USB cable



1563151

<https://www.phoenixcontact.com/us/products/1563151>

## Environmental product compliance

### EU RoHS

Fulfills EU RoHS substance requirements	Yes, No exemptions
---	--------------------

### China RoHS

Environment friendly use period (EFUP)	EFUP-E
	No hazardous substances above the limits

### EU REACH SVHC

REACH candidate substance (CAS No.)	No substance above 0.1 wt%
-------------------------------------	----------------------------

Phoenix Contact 2026 © - all rights reserved  
<https://www.phoenixcontact.com>

Phoenix Contact USA  
586 Fulling Mill Road  
Middletown, PA 17057, United States  
(+717) 944-1300  
[info@phoenixcon.com](mailto:info@phoenixcon.com)