

SAC-5P-MS/ 3,0-100 SCO OBS - Sensor/actuator cable



1562110

<https://www.phoenixcontact.com/us/products/1562110>

Please be informed that the data shown in this PDF document is generated from our online catalog. Please find the complete data in the user documentation. Our general terms of use for downloads are valid.



Sensor/actuator cable, 5-position, Plug straight M12 SPEEDCON, coding: A, on free cable end, cable length: 3 m

as illustration, however, without markers

Commercial data

Item number	1562110
Packing unit	50 pc
Minimum order quantity	50 pc
Note	Made to order (non-returnable)
Product key	AF1CDA
GTIN	4046356291972
Weight per piece (including packing)	156.33 g
Weight per piece (excluding packing)	156.33 g
Country of origin	PL

SAC-5P-MS/ 3,0-100 SCO OBS - Sensor/actuator cable



1562110

<https://www.phoenixcontact.com/us/products/1562110>

Technical data

Product properties

Product type	Sensor/actuator cable
Number of positions	5
No. of cable outlets	1
Shielded	no
Coding	A

Insulation characteristics

Overvoltage category	II
Degree of pollution	3

Material specifications

Flammability rating according to UL 94	HB
Material of grip body	TPU, hardly inflammable, self-extinguishing
Contact material	CuSn
Contact surface material	Ni/Au
Contact carrier material	TPU GF
Material for screw connection	Zinc die-cast, nickel-plated

Electrical properties

Insulation resistance	$\geq 10 \text{ M}\Omega$
Nominal voltage U_N	48 V AC
	60 V DC
Nominal current I_N	4 A

Signaling

Status display	no
Status display present	no

Connector

Connection 1

Type	Plug straight M12 SPEEDCON
Number of positions	5
Locking type	SPEEDCON
Coding type	A

Connection 2

Type	free cable end
------	----------------

Cable/line


Cable length	3 m
--------------	-----

PUR halogen-free gray [280]

SAC-5P-MS/ 3,0-100 SCO OBS - Sensor/actuator cable

1562110

<https://www.phoenixcontact.com/us/products/1562110>

Dimensional drawing	
Shielded	no
Cable type	PUR halogen-free gray [280]
External cable diameter	4.60 mm

Environmental and real-life conditions

Ambient conditions

Degree of protection	IP65
	IP67
	IP68
Ambient temperature (operation)	-25 °C ... 90 °C (Plug / socket)
	-25 °C ... 80 °C (cable, fixed installation)
	-5 °C ... 80 °C (Cable, flexible installation)

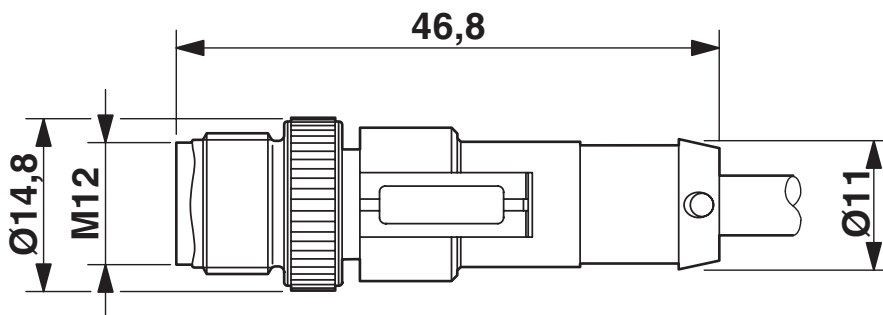
SAC-5P-MS/ 3,0-100 SCO OBS - Sensor/actuator cable

1562110

<https://www.phoenixcontact.com/us/products/1562110>

Drawings

Dimensional drawing



Plug, M12 x 1, straight, shielded

Schematic diagram



Pin assignment M12 male connector, 5-pos., A-coded, male side

SAC-5P-MS/ 3,0-100 SCO OBS - Sensor/actuator cable



1562110

<https://www.phoenixcontact.com/us/products/1562110>

Circuit diagram



Contact assignment of the M12 plug

SAC-5P-MS/ 3,0-100 SCO OBS - Sensor/actuator cable



1562110

<https://www.phoenixcontact.com/us/products/1562110>

Classifications

ECLASS

ECLASS-13.0	27060311
ECLASS-15.0	27060311

ETIM

ETIM 9.0	EC001855
----------	----------

UNSPSC

UNSPSC 21.0	26121600
-------------	----------

SAC-5P-MS/ 3,0-100 SCO OBS - Sensor/actuator cable



1562110

<https://www.phoenixcontact.com/us/products/1562110>

Environmental product compliance

EU RoHS

Fulfills EU RoHS substance requirements	Yes, No exemptions
---	--------------------

China RoHS

Environment friendly use period (EFUP)	EFUP-E
	No hazardous substances above the limits

EU REACH SVHC

REACH candidate substance (CAS No.)	No substance above 0.1 wt%
-------------------------------------	----------------------------

Phoenix Contact 2026 © - all rights reserved
<https://www.phoenixcontact.com>

Phoenix Contact USA
586 Fulling Mill Road
Middletown, PA 17057, United States
(+717) 944-1300
info@phoenixcon.com