

SACC-M12FS-5CON-PG9-M SKIN - Connector



1556838

<https://www.phoenixcontact.com/us/products/1556838>

Please be informed that the data shown in this PDF document is generated from our online catalog. Please find the complete data in the user documentation. Our general terms of use for downloads are valid.



Sensor/actuator socket, straight, 5-pos., M12, A-coded, screw connection, metal knurl, cable gland Pg9 SKINTOP®

Your advantages

- Safe use in the field, thanks to a high degree of protection
- Screw connection: proven connection technology for a large selection of different conductors

Commercial data

Item number	1556838
Packing unit	1 pc
Minimum order quantity	1 pc
Sales key	BF30
Product key	AF2CAA
GTIN	4046356183888
Weight per piece (including packing)	30.2 g
Weight per piece (excluding packing)	29.68 g
Customs tariff number	85366990
Country of origin	DE

SACC-M12FS-5CON-PG9-M SKIN - Connector



1556838

<https://www.phoenixcontact.com/us/products/1556838>

Technical data

Notes

Assembly note	NOTE: Observe the permissible bending radii when routing cables, since the degree of protection may be at risk if the bending forces are too high. Reduce mechanical loads upstream of the connector, e.g., by using cable ties.
---------------	---

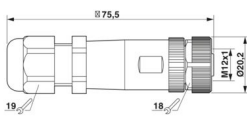
Product properties

Product type	Circular connector (cable-side)
Number of positions	5
No. of cable outlets	1
Shielded	no
Coding	A
Cable outlet	straight
Pg screw connection	Pg9

Insulation characteristics

Overvoltage category	II
Degree of pollution	3

Dimensions

Dimensional drawing	
Width	20.2 mm
Height	20.2 mm
Length	75.5 mm

External dimensions

Outside diameter	6 mm ... 8 mm
------------------	---------------

Housing

Diameter housing	20.2 mm
------------------	---------

Material specifications

Flammability rating according to UL 94	HB
Seal material	NBR
Material of grip body	PBT
Contact material	CuZn
Contact surface material	CuSnZn
Contact carrier material	PA
Material for screw connection	Zinc die-cast, nickel-plated

SACC-M12FS-5CON-PG9-M SKIN - Connector



1556838

<https://www.phoenixcontact.com/us/products/1556838>

Connection data

Conductor connection

Connection method	Screw connection
Connection cross section	0.25 mm ² ... 0.75 mm ² (without ferrule)
	0.14 mm ² ... 0.75 mm ² (with ferrule)
	0.25 mm ² ... 0.75 mm ² (solid)
Connection cross section AWG	24 ... 18 (without ferrule)
	26 ... 20 (with ferrule)
Stripping length of the individual wire	5 mm
Tightening torque	0.4 Nm (M12 knurl)
	0.2 Nm (Screw terminal blocks)
	0.8 Nm ... 1 Nm (Pressure screw)

Electrical properties

Rated surge voltage	1.5 kV
Contact resistance	≤ 8 mΩ
Insulation resistance	≥ 100 MΩ
Nominal voltage U _N	48 V AC
	60 V DC
Nominal current I _N	4 A

Mechanical properties

Mechanical data

Insertion/withdrawal cycles	≥ 100
-----------------------------	-------

Connector

Connection 1

Head design	Socket
Head cable outlet	straight
Head thread type	M12
Coding	A

Cable/line

Signal type/category	Universal
Stripping length of the individual wire	5 mm

Environmental and real-life conditions

Ambient conditions

Degree of protection	IP67
Ambient temperature (operation) (male connector/female connector)	-20 °C ... 80 °C (Plug / socket)

SACC-M12FS-5CON-PG9-M SKIN - Connector



1556838

<https://www.phoenixcontact.com/us/products/1556838>

Standards and regulations

M12

Standard designation	M12 connector
Standards/specifications	IEC 61076-2-101

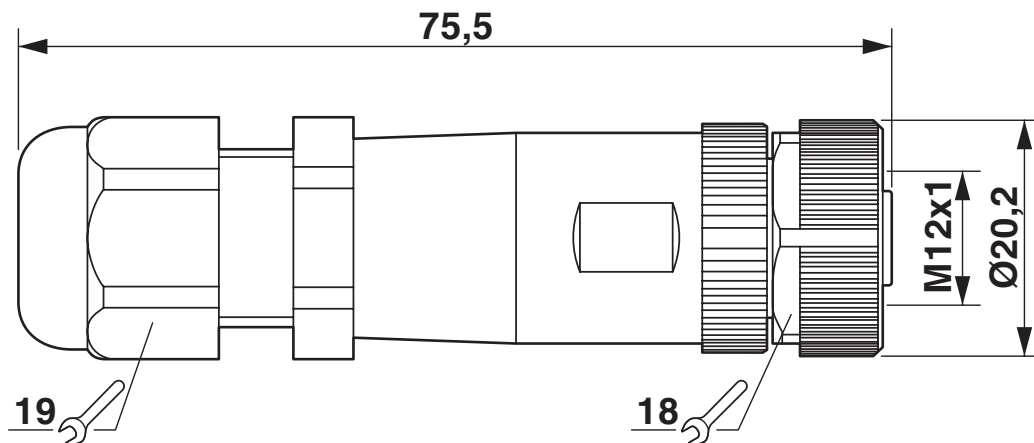
SACC-M12FS-5CON-PG9-M SKIN - Connector

1556838

<https://www.phoenixcontact.com/us/products/1556838>

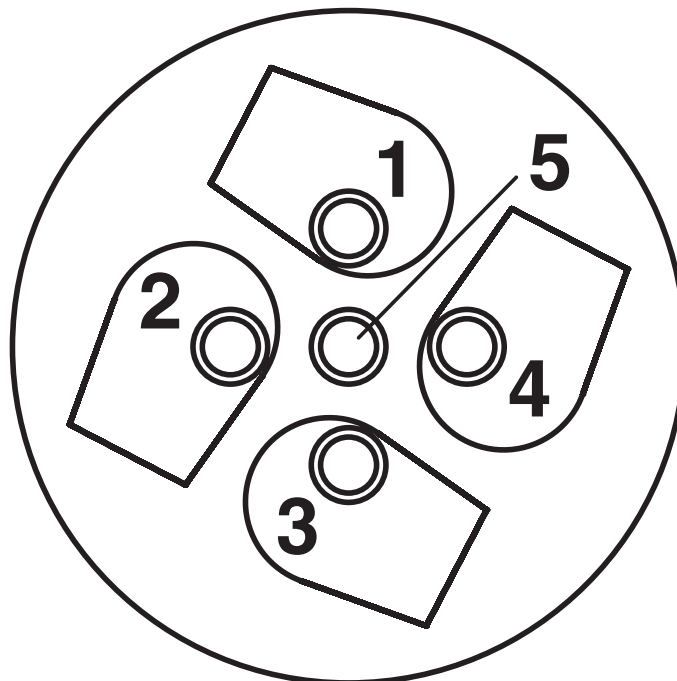
Drawings

Dimensional drawing



M12 x 1 socket, straight

Schematic diagram



Cable connection side M12 (screw connection)

SACC-M12FS-5CON-PG9-M SKIN - Connector

1556838

<https://www.phoenixcontact.com/us/products/1556838>



Schematic diagram



Pin assignment M12 socket, 5-pos., A-coded, socket side view

SACC-M12FS-5CON-PG9-M SKIN - Connector



1556838

<https://www.phoenixcontact.com/us/products/1556838>

Classifications

ECLASS

ECLASS-13.0	27440116
ECLASS-15.0	27440116

ETIM

ETIM 10.0	EC002635
-----------	----------

UNSPSC

UNSPSC 21.0	39121400
-------------	----------

SACC-M12FS-5CON-PG9-M SKIN - Connector



1556838

<https://www.phoenixcontact.com/us/products/1556838>

Environmental product compliance

EU RoHS

Fulfills EU RoHS substance requirements	Yes
Exemption	6(c)

China RoHS

Environment friendly use period (EFUP)	EFUP-50
	An article-related China RoHS declaration table can be found in the download area for the respective article under "Manufacturer declaration". For all articles with EFUP-E, no China RoHS declaration table issued and required.

EU REACH SVHC

REACH candidate substance (CAS No.)	Lead(CAS: 7439-92-1)
SCIP	8950e7ff-de7c-4891-a288-874b2822cfa9

EF3.1 Climate Change

CO2e kg	0.684 kg CO2e
---------	---------------

Phoenix Contact 2026 © - all rights reserved
<https://www.phoenixcontact.com>

Phoenix Contact USA
586 Fulling Mill Road
Middletown, PA 17057, United States
(+717) 944-1300
info@phoenixcon.com