

SACB-8/16-L- 5,0PVC FB - Distributor box



1555541

<https://www.phoenixcontact.com/us/products/1555541>

Please be informed that the data shown in this PDF document is generated from our online catalog. Please find the complete data in the user documentation. Our general terms of use for downloads are valid.



Distributor box, application: Food processing industry, connection method: M12 socket
Stainless steel, number of slots: 8, number of positions: 5, coding: A, slot assignment: Double,
status display: yes, PNP; master cable connection: Fixed connection 180°, PVC, cable length:
5 m, shielding: no

Your advantages

- Safety in the field, thanks to molded housing and high degree of protection
- Convenient: increased machine availability thanks to quick and easy diagnostics
- Save space: distributor box with double occupancy for two sensors in one slot

Commercial data

Item number	1555541
Packing unit	1 pc
Minimum order quantity	1 pc
Sales key	BF44
Product key	AF3EAA
GTIN	4046356170529
Weight per piece (including packing)	1,458 g
Weight per piece (excluding packing)	1,458 g
Customs tariff number	85444290
Country of origin	DE

SACB-8/16-L- 5,0PVC FB - Distributor box



1555541

<https://www.phoenixcontact.com/us/products/1555541>

Technical data

Notes

Assembly note	NOTE: Observe the permissible bending radii when routing cables, since the degree of protection may be at risk if the bending forces are too high. Reduce mechanical loads upstream of the connector, e.g., by using cable ties.
Note on application	Unused slots are to be sealed off prior to commissioning. Suitable sealing elements are to be found under "Accessories".

Product properties

Product type	Distributor box
Application	Food processing industry
Number of positions	5
Number of slots	8
Coding	A
LED	yes

System properties

Local diagnostics

Monitored function	Supply voltage
Optical representation	Green LED

Electrical properties

Max. operating voltage U_{max}	30 V DC
Local diagnostics	Supply voltage Green LED
	Status display I/O Yellow LED
Nominal voltage U_N	24 V DC
Rated current, total	12 A
Max. current carrying capacity per path	2 A
Current carrying capacity per slot	4 A

Connection data

Conductor connection

Sensor/actuator connection system	M12 socket
Tightening torque slot sensor/actuator cable	0.4 Nm

Connection assignment

Slot/position = Wire color or connection	1 / 4 (A) = WH
	1 / 2 (B) = GYPK
	2 / 4 (A) = GN
	2 / 2 (B) = RDBU
	3 / 4 (A) = YE
	3 / 2 (B) = WHGN

SACB-8/16-L- 5,0PVC FB - Distributor box



1555541

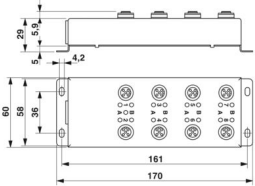
<https://www.phoenixcontact.com/us/products/1555541>

	4 / 4 (A) = GY
	4 / 2 (B) = BNGN
	5 / 4 (A) = PK
	5 / 2 (B) = WHYE
	6 / 4 (A) = RD
	6 / 2 (B) = YEBN
	7 / 4 (A) = BK
	7 / 2 (B) = WHGY
	8 / 4 (A) = VT
	8 / 2 (B) = GYBN
	1-8 / 1 (+ 24 V) = BN
	1-8 / 3 (0 V) = BU
	1-8 / 5 (PE) = GNYE

Signaling

Status display present	yes
------------------------	-----

Dimensions

Dimensional drawing	
Width	60 mm
Height	34.9 mm
Length	170 mm

Material specifications

Material Threaded sleeve	Stainless steel 1.4404
Material Housing	Stainless steel 1.4404
Material Molding compound	PUR
Seal material O-ring	FKM
Contact material	CuSn6
Contact surface material	gold-plated
Contact carrier material	PBT

Cable/line

Cable length	5 m
Connection method	Fixed connection
Outside diameter	10.5 mm
Conductor cross-section signal conductor	16x 0.5 mm ²
Conductor structure signal line	64x 0.10 mm
AWG signal line	20

SACB-8/16-L- 5,0PVC FB - Distributor box



1555541

<https://www.phoenixcontact.com/us/products/1555541>

Conductor structure, voltage supply	128x 0.10 mm
AWG power supply	17
Number of bending cycles	1000000
Traversing rate	3 m/s
Traversing path	5 m
Ambient temperature (operation)	-40 °C ... 90 °C (for fixed installation) -5 °C ... 80 °C (for flexible installation)

Environmental and real-life conditions

Ambient conditions

Degree of protection	IP65 IP67 IP69K
Ambient temperature (operation)	-30 °C ... 80 °C

Standards and regulations

M12

Standard designation	M12 connector
Standards/specifications	IEC 61076-2-101

SACB-8/16-L- 5,0PVC FB - Distributor box

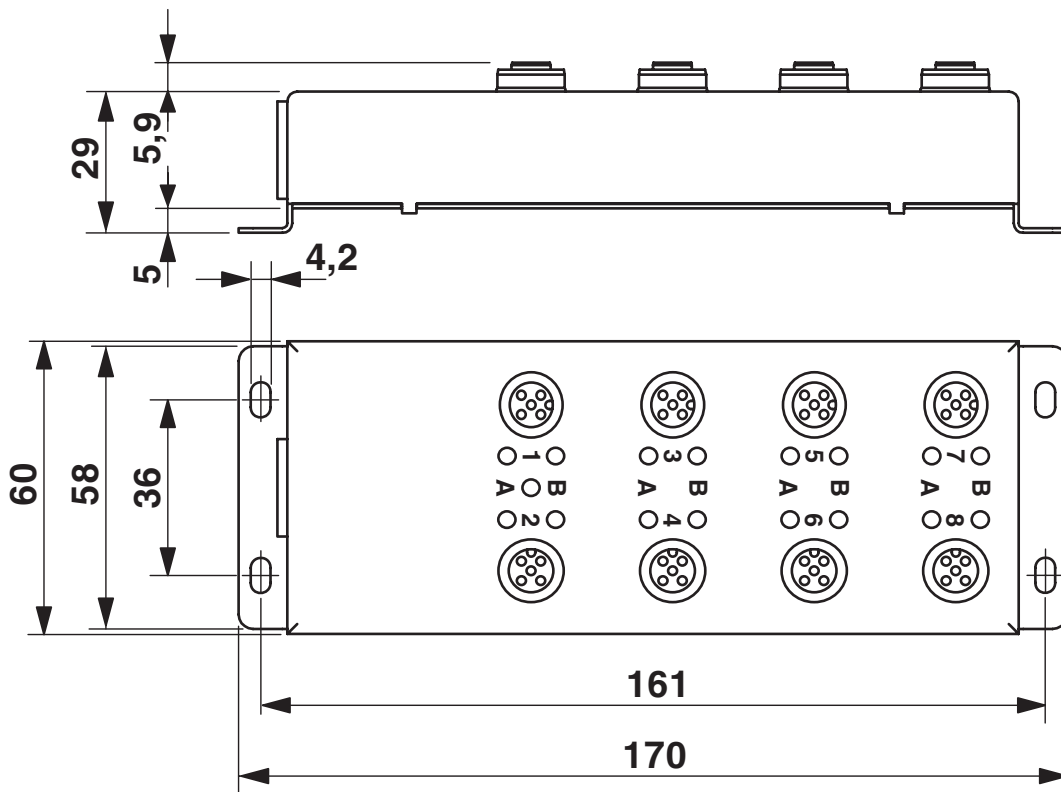


1555541

<https://www.phoenixcontact.com/us/products/1555541>

Drawings

Dimensional drawing



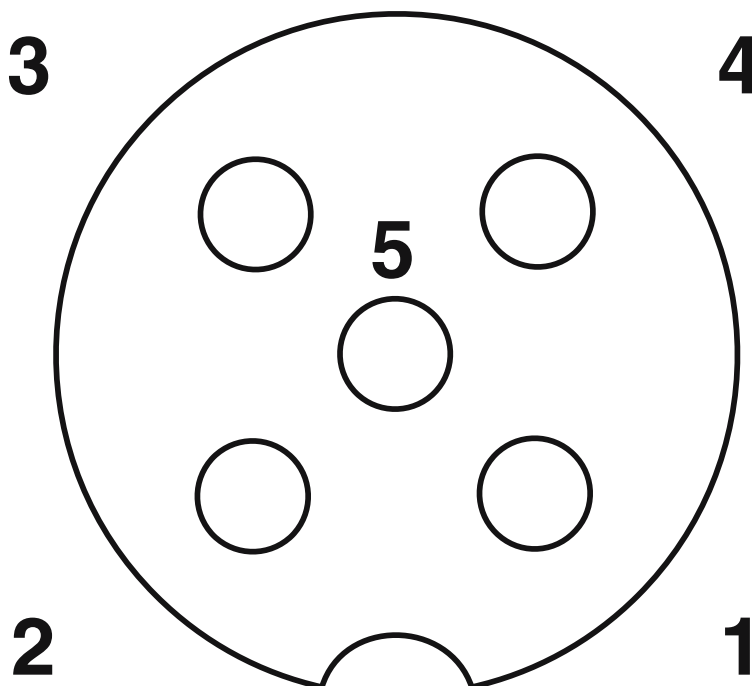
Dimensional drawing

SACB-8/16-L- 5,0PVC FB - Distributor box

1555541

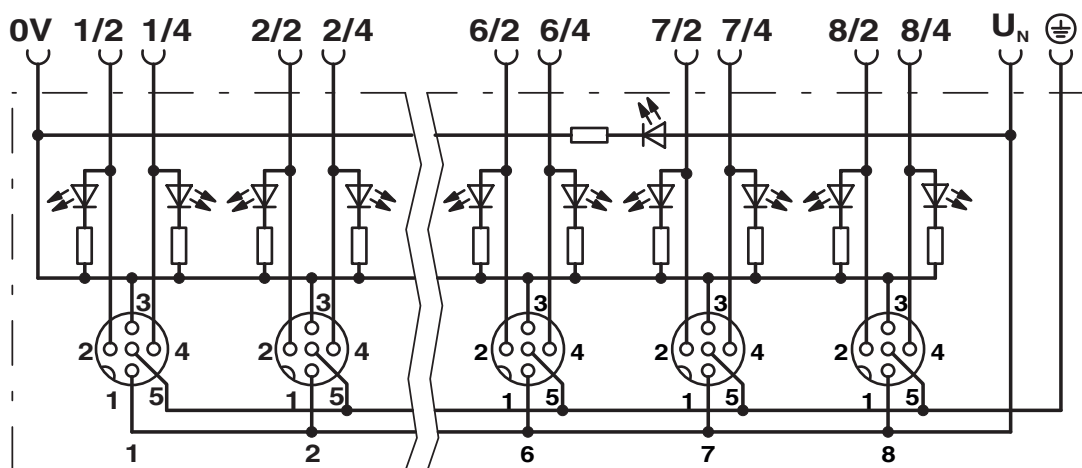
<https://www.phoenixcontact.com/us/products/1555541>

Schematic diagram



Pin assignment M12 socket, 5-pos., A-coded, socket side view

Circuit diagram



SACB-8/16-L- 5,0PVC FB - Distributor box



1555541

<https://www.phoenixcontact.com/us/products/1555541>

Classifications

ECLASS

ECLASS-13.0	27440108
ECLASS-15.0	27440108

ETIM

ETIM 10.0	EC002585
-----------	----------

UNSPSC

UNSPSC 21.0	31251500
-------------	----------

SACB-8/16-L- 5,0PVC FB - Distributor box



1555541

<https://www.phoenixcontact.com/us/products/1555541>

Environmental product compliance

EU RoHS

Fulfills EU RoHS substance requirements	Yes, No exemptions
---	--------------------

China RoHS

Environment friendly use period (EFUP)	EFUP-E
	No hazardous substances above the limits

EU REACH SVHC

REACH candidate substance (CAS No.)	No substance above 0.1 wt%
-------------------------------------	----------------------------

Phoenix Contact 2026 © - all rights reserved
<https://www.phoenixcontact.com>

Phoenix Contact USA
586 Fulling Mill Road
Middletown, PA 17057, United States
(+717) 944-1300
info@phoenixcon.com