

# SAC-4P- 5,0-950/M 8FR - Bus system cable



1550915

<https://www.phoenixcontact.com/us/products/1550915>

Please be informed that the data shown in this PDF document is generated from our online catalog. Please find the complete data in the user documentation. Our general terms of use for downloads are valid.



Bus system cable, INTERBUS, 4-position, PUR halogen-free, black RAL 9005, shielded, free cable end, on Socket angled M8, coding: A, cable length: 5 m

## Your advantages

- Power cable for actuator voltage
- System cable for supply voltage and bus signal

## Commercial data

Item number	1550915
Packing unit	1 pc
Minimum order quantity	1 pc
Sales key	BF02
Product key	AF1BJB
GTIN	4046356151443
Weight per piece (including packing)	217.72 g
Weight per piece (excluding packing)	217.72 g
Customs tariff number	85444290
Country of origin	PL

# SAC-4P- 5,0-950/M 8FR - Bus system cable



1550915

<https://www.phoenixcontact.com/us/products/1550915>

## Technical data

### Product properties

Product type	Data cable preassembled
Application	Standard
Sensor type	INTERBUS
Number of positions	4
No. of cable outlets	1
Shielded	yes
Coding	A

### Insulation characteristics

Overvoltage category	II
Degree of pollution	3

### Interfaces

Bus system	INTERBUS
Signal type/category	INTERBUS

### Signaling

Status display	no
Status display present	no

### Electrical properties

Insulation resistance	≥ 100 MΩ
Nominal voltage $U_N$	48 V AC
	60 V DC
Nominal current $I_N$	4 A
Test voltage	800 V
Transmission medium	Copper

### Material specifications

Flammability rating according to UL 94	HB
Seal material	NBR
Material of grip body	TPU, hardly inflammable, self-extinguishing
Contact material	CuSn
Contact surface material	Ni/Au
Contact carrier material	TPU GF
Material for screw connection	Zinc die-cast, nickel-plated

### Connection data

#### Connection assignment

Contact   Color (signal designation)   Contact (optional)	1 (Socket)   RD (0.34 mm <sup>2</sup> )
	3 (Socket)   BU (0.34 mm <sup>2</sup> )

# SAC-4P- 5,0-950/M 8FR - Bus system cable



1550915

<https://www.phoenixcontact.com/us/products/1550915>

	2 (Socket)   YE (0.14 mm <sup>2</sup> )
	4 (Socket)   GN (0.14 mm <sup>2</sup> )

## Connector

### Connection 1

Type	free cable end
------	----------------

### Connection 2

Type	free cable end
------	----------------

## Cable/line

Cable length	5 m
--------------	-----

### INTERBUS [950]

Cable weight	41 kg/km
UL AWM Style	20963 (80°C/30 V)
Number of positions	4
Shielded	yes
Cable type	INTERBUS [950]
Conductor structure	2xAWG26/19+2xAWG22/19
Conductor structure signal line	19x 0.10 mm
AWG signal line	26
Conductor structure, voltage supply	19x 0.15 mm
AWG power supply	22
Conductor cross-section	2x 0.14 mm <sup>2</sup> (Signal line) 2x 0.34 mm <sup>2</sup> (Power supply) 1x 0.38 mm <sup>2</sup> (Drain wire)
Wire diameter incl. insulation	0.97 mm (Signal line) 1.25 mm (Power supply)
External cable diameter	5.20 mm ±0.2 mm
Outer sheath, material	PUR
External sheath, color	black RAL 9005
Conductor material	Tin-plated Cu litz wires
Material wire insulation	PP
Single wire, color	red-blue, green-yellow
Thickness, insulation	0.24 mm (Conductor insulation, signal line) 0.25 mm (Conductor insulation, voltage supply)
Thickness, outer sheath	approx. 0.75 mm
Twisted pairs	2 cores to the pair
Type of pair shielding	Aluminum-lined polyester foil
Overall twist	2 pairs around a drain wire in the center to the core
Optical shield covering	85 %
Max. conductor resistance	≤ 150 Ω/km (Signal line) ≤ 58 Ω/km (Power supply)
Insulation resistance	≥ 20 MΩ*km

# SAC-4P- 5,0-950/M 8FR - Bus system cable



1550915

<https://www.phoenixcontact.com/us/products/1550915>

Wave impedance	75 $\Omega$ $\pm$ 10 $\Omega$ (Signal line)
	55 $\Omega$ $\pm$ 10 $\Omega$ (Power supply)
Nominal voltage, cable	$\leq$ 100 V
Test voltage Core/Core	1000 V (50 Hz, 1 min.)
Test voltage Core/Shield	1000.00 V (50 Hz, 1 min.)
Minimum bending radius, fixed installation	5 x D
Minimum bending radius, flexible installation	7.5 x D
Smallest bending radius, fixed installation	26 mm
Smallest bending radius, movable installation	39 mm
Dynamic load capacity (bending)	Max. bending cycles: 1000000, Bending radius: 110 mm, Traversing path: 6 m, Traversing rate: 4 m/s, Acceleration: 4 m/s <sup>2</sup>
Ambient temperature (operation)	-40 °C ... 80 °C (cable, fixed installation)
	-40 °C ... 80 °C (Cable, flexible installation)

# SAC-4P- 5,0-950/M 8FR - Bus system cable

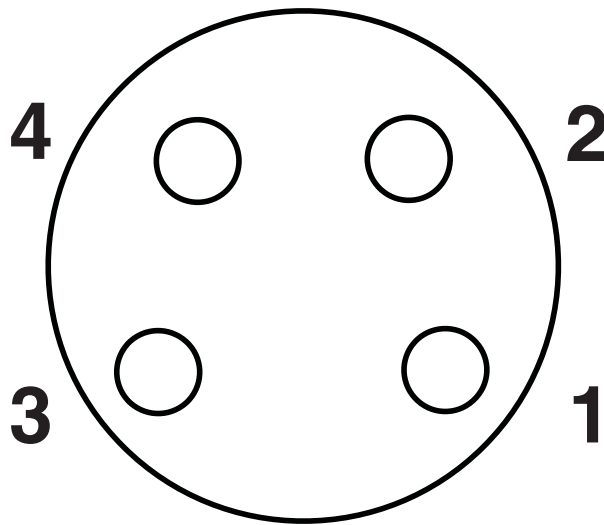
1550915

<https://www.phoenixcontact.com/us/products/1550915>



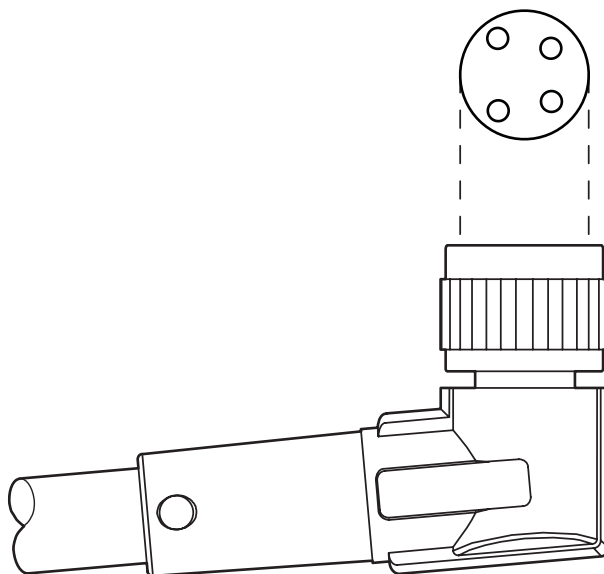
## Drawings

Schematic diagram



Pin assignment M8 socket, 4-pos., view female side

Schematic diagram



Layout of connector pin assignments

# SAC-4P- 5,0-950/M 8FR - Bus system cable



1550915

<https://www.phoenixcontact.com/us/products/1550915>

Circuit diagram



Contact assignment of M8 socket


# SAC-4P- 5,0-950/M 8FR - Bus system cable



1550915

<https://www.phoenixcontact.com/us/products/1550915>

## Approvals

 To download certificates, visit the product detail page: <https://www.phoenixcontact.com/us/products/1550915>



**EAC-RoHS**

Approval ID: RU D-DE.HB35.B.00387



**cULus Listed**

Approval ID: E221474

# SAC-4P- 5,0-950/M 8FR - Bus system cable



1550915

<https://www.phoenixcontact.com/us/products/1550915>

## Classifications

### ECLASS

ECLASS-13.0	27060307
ECLASS-15.0	27060307

### ETIM

ETIM 10.0	EC001855
-----------	----------

### UNSPSC

UNSPSC 21.0	26121600
-------------	----------

# SAC-4P- 5,0-950/M 8FR - Bus system cable



1550915

<https://www.phoenixcontact.com/us/products/1550915>

## Environmental product compliance

### EU RoHS

Fulfills EU RoHS substance requirements	Yes, No exemptions
---	--------------------

### China RoHS

Environment friendly use period (EFUP)	EFUP-E
	No hazardous substances above the limits

### EU REACH SVHC

REACH candidate substance (CAS No.)	No substance above 0.1 wt%
-------------------------------------	----------------------------

### EF3.1 Climate Change

CO2e kg	5.595 kg CO2e
---------	---------------

Phoenix Contact 2026 © - all rights reserved  
<https://www.phoenixcontact.com>

Phoenix Contact USA  
586 Fulling Mill Road  
Middletown, PA 17057, United States  
(+717) 944-1300  
[info@phoenixcon.com](mailto:info@phoenixcon.com)