

QO-SET - Screw connection set



1548626

<https://www.phoenixcontact.com/us/products/1548626>

Please be informed that the data shown in this PDF document is generated from our online catalog. Please find the complete data in the user documentation. Our general terms of use for downloads are valid.

QUICKON set for replacement purposes, consisting of splice ring, pressure nut and line seal



Your advantages

- Innovative and time-saving assembly with insulation displacement connection

Commercial data

Item number	1548626
Packing unit	20 pc
Minimum order quantity	1 pc
Note	Made to order (non-returnable)
Sales key	BF45
Product key	AF3ZWX
GTIN	4046356143035
Weight per piece (including packing)	5.06 g
Weight per piece (excluding packing)	4.2 g
Customs tariff number	39269097
Country of origin	DE

QO-SET - Screw connection set

1548626

<https://www.phoenixcontact.com/us/products/1548626>

Technical data

Notes

Assembly note	NOTE: Observe the permissible bending radii when routing cables, since the degree of protection may be at risk if the bending forces are too high. Reduce mechanical loads upstream of the connector, e.g., by using cable ties.
Order information:	Package contents: 20 pieces

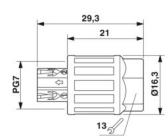
Product properties

Product type	Installation pressure nut
Number of positions	4

Signaling

Status display present	no
------------------------	----

Dimensions

Dimensional drawing	
Width	16.3 mm
Height	16.3 mm
Length	29.3 mm
Wrench size, union nut	13 mm

Material specifications

Flammability rating according to UL 94	V0
Wire insulation material	PVC / PE / PP / rubber

Environmental and real-life conditions

Ambient conditions

Degree of protection	IP65
	IP67
Ambient temperature (operation)	-25 °C ... 80 °C
	-5 °C ... 50 °C (During assembly)

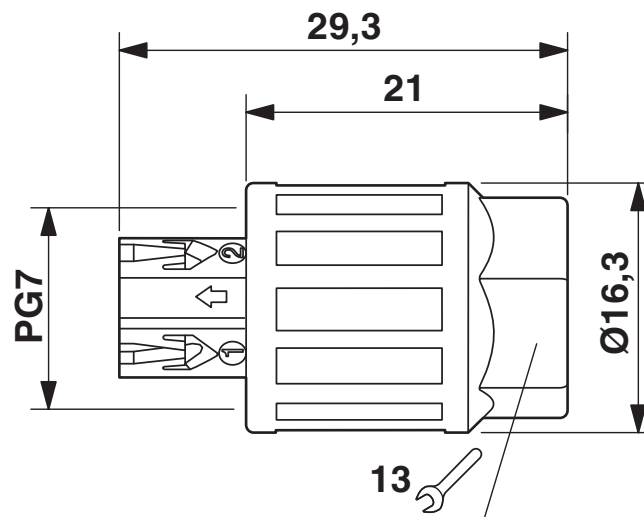
QO-SET - Screw connection set

1548626

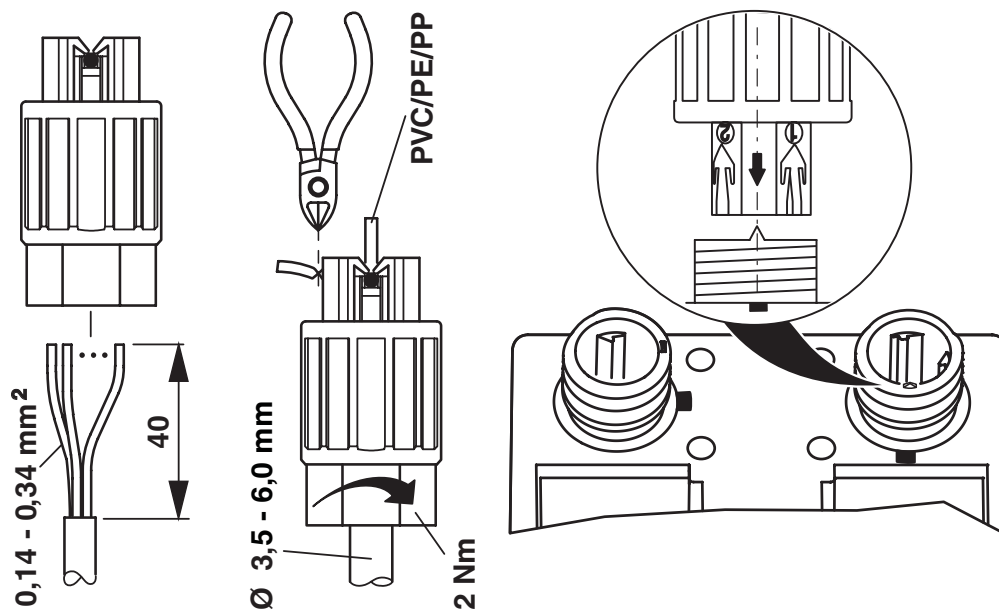
<https://www.phoenixcontact.com/us/products/1548626>

Drawings

Dimensional drawing



Functional drawing



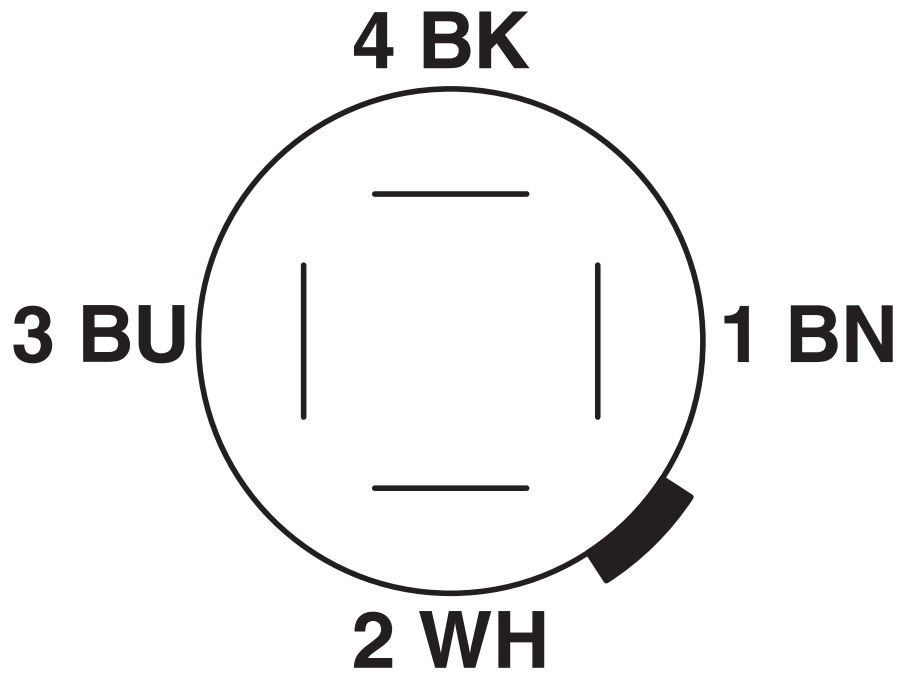
QO-SET - Screw connection set

1548626

<https://www.phoenixcontact.com/us/products/1548626>



Schematic diagram



QUICKON connection, 4-pos.

QO-SET - Screw connection set



1548626

<https://www.phoenixcontact.com/us/products/1548626>

Classifications

ECLASS

ECLASS-13.0	27440290
ECLASS-15.0	27440290

UNSPSC

UNSPSC 21.0	39121421
-------------	----------

QO-SET - Screw connection set



1548626

<https://www.phoenixcontact.com/us/products/1548626>

Environmental product compliance

EU RoHS

Fulfills EU RoHS substance requirements	Yes, No exemptions
---	--------------------

China RoHS

Environment friendly use period (EFUP)	EFUP-E
	No hazardous substances above the limits

EU REACH SVHC

REACH candidate substance (CAS No.)	No substance above 0.1 wt%
-------------------------------------	----------------------------

Phoenix Contact 2026 © - all rights reserved
<https://www.phoenixcontact.com>

Phoenix Contact USA
586 Fulling Mill Road
Middletown, PA 17057, United States
(+717) 944-1300
info@phoenixcon.com