

SACB- 8/4-C QO-0,34 - Distributor box



1548435

<https://www.phoenixcontact.com/us/products/1548435>

Please be informed that the data shown in this PDF document is generated from our online catalog. Please find the complete data in the user documentation. Our general terms of use for downloads are valid.



Distributor box, application: Standard, connection method: QUICKON, 0.14 mm² ... 0.34 mm², number of slots: 8, number of positions: 4, slot assignment: Double, status display: no, Universal; master cable connection: Pluggable screw connection 180°, shielding: no

Your advantages

- Safety in the field, thanks to molded housing and high degree of protection
- Save space: distributor box with double occupancy for two sensors in one slot
- Innovative and time-saving assembly with insulation displacement connection
- Flexible: distributor box with connector hood for on-site assembly

Commercial data

Item number	1548435
Packing unit	1 pc
Note	Made to order (non-returnable)
Sales key	BF41
Product key	AF3DAD
GTIN	4046356142908
Weight per piece (including packing)	377.1 g
Weight per piece (excluding packing)	324.72 g
Customs tariff number	85366990
Country of origin	PL

SACB- 8/4-C QO-0,34 - Distributor box



1548435

<https://www.phoenixcontact.com/us/products/1548435>

Technical data

Notes

Assembly note	NOTE: Observe the permissible bending radii when routing cables, since the degree of protection may be at risk if the bending forces are too high. Reduce mechanical loads upstream of the connector, e.g., by using cable ties.
Note on application	Unused slots are to be sealed off prior to commissioning. Suitable sealing elements are to be found under "Accessories".

Product properties

Product type	Distributor box
Application	Standard
Number of positions	4
Number of slots	8
LED	no

Electrical properties

Nominal voltage U_N	48 V AC
	60 V DC
Rated current, total	10 A
	2x 8 A (For electrical isolation)
Max. current carrying capacity per path	2 A
Current carrying capacity per slot	4 A

Connection data

Conductor connection

Sensor/actuator connection system	QUICKON
Conductor cross-section Flexible signal line	0.14 mm ² ... 1.5 mm ²
Conductor cross-section Flexible power supply	0.14 mm ² ... 1.5 mm ²
Connection cross section AWG Flexible signal line	26 ... 16
Connection cross section AWG Flexible power supply	26 ... 16
Stripping length Signal line	7 mm
Stripping length of the sheath	50 mm (Master cable)
Tightening torque, cover screw	0.35 Nm
Tightening torque of mounting screw for fixing the housing	0.5 Nm
Tightening torque, union nut	2.5 Nm

Connection assignment

Slot/position = Wire color or connection	1 / 4 (A) = 1 / 4
	1 / 2 (B) = 1 / 2
	2 / 4 (A) = 2 / 4
	2 / 2 (B) = 2 / 2
	3 / 4 (A) = 3 / 4

SACB- 8/4-C QO-0,34 - Distributor box



1548435

<https://www.phoenixcontact.com/us/products/1548435>

	3 / 2 (B) = 3 / 2
	4 / 4 (A) = 4 / 4
	4 / 2 (B) = 4 / 2
	5 / 4 (A) = 5 / 4
	5 / 2 (B) = 5 / 2
	6 / 4 (A) = 6 / 4
	6 / 2 (B) = 6 / 2
	7 / 4 (A) = 7 / 4
	7 / 2 (B) = 7 / 2
	8 / 4 (A) = 8 / 4
	8 / 2 (B) = 8 / 2
	1-8 / 1 (+ 48 V) = U _N
	1-8 / 3 (0 V) = 0 V

Signaling

Status display present	no
------------------------	----

Dimensions

Dimensional drawing	
Width	58 mm
Height	45 mm
Length	153 mm
Wrench size, union nut	13 mm

Material specifications

Material Housing	PBT
Material Molding compound	PUR
Flammability rating according to UL 94	V0
Contact material	Steel/copper
Contact surface material	Sn
Contact carrier material	PA 6.6
Material of contact, master cable side	CU alloy
Material of the contact carrier on the master cable side	PA 6.6 V0
Material of contact surface, master cable side	gold-plated
Wire insulation material	PVC / PE / PP

Cable/line

External cable diameter	7 mm ... 12 mm
-------------------------	----------------

SACB- 8/4-C QO-0,34 - Distributor box



1548435

<https://www.phoenixcontact.com/us/products/1548435>

Connection method	Pluggable screw connection
-------------------	----------------------------

Environmental and real-life conditions

Ambient conditions

Degree of protection	IP65
	IP67
	IP69K
Ambient temperature (operation)	-30 °C ... 80 °C
	-5 °C ... 50 °C (During assembly)

SACB- 8/4-C QO-0,34 - Distributor box

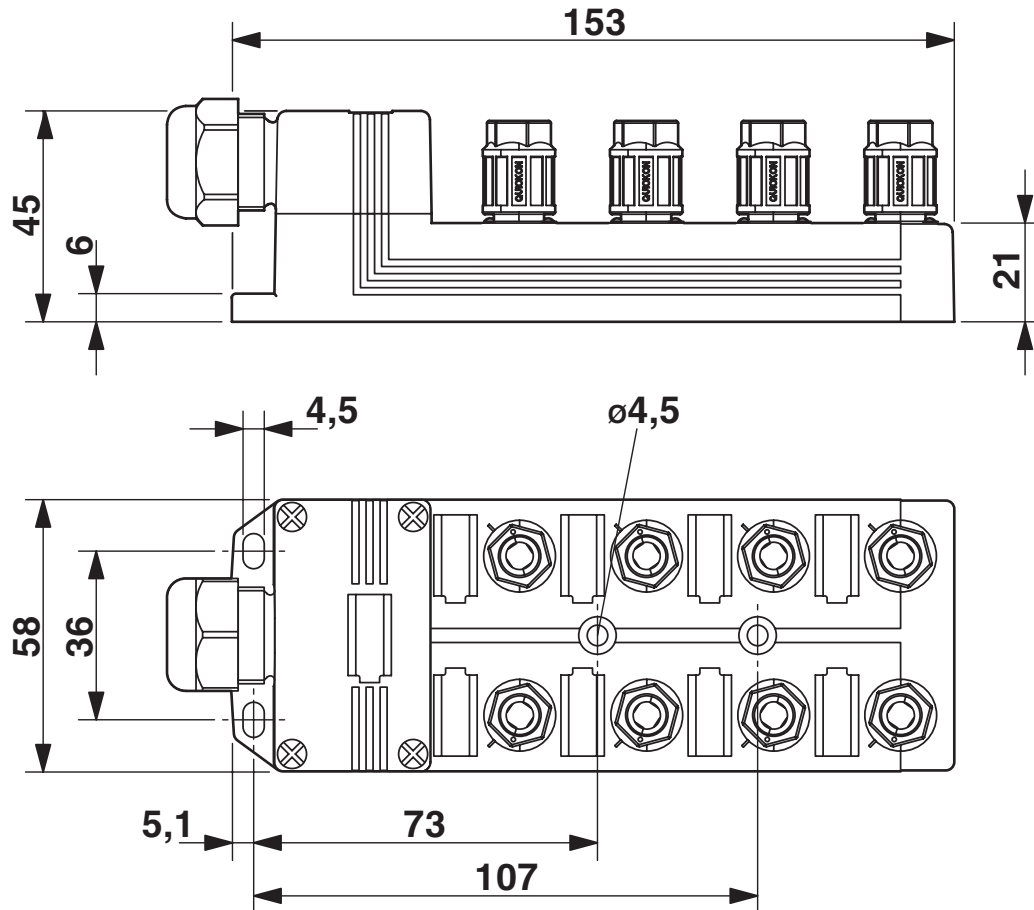


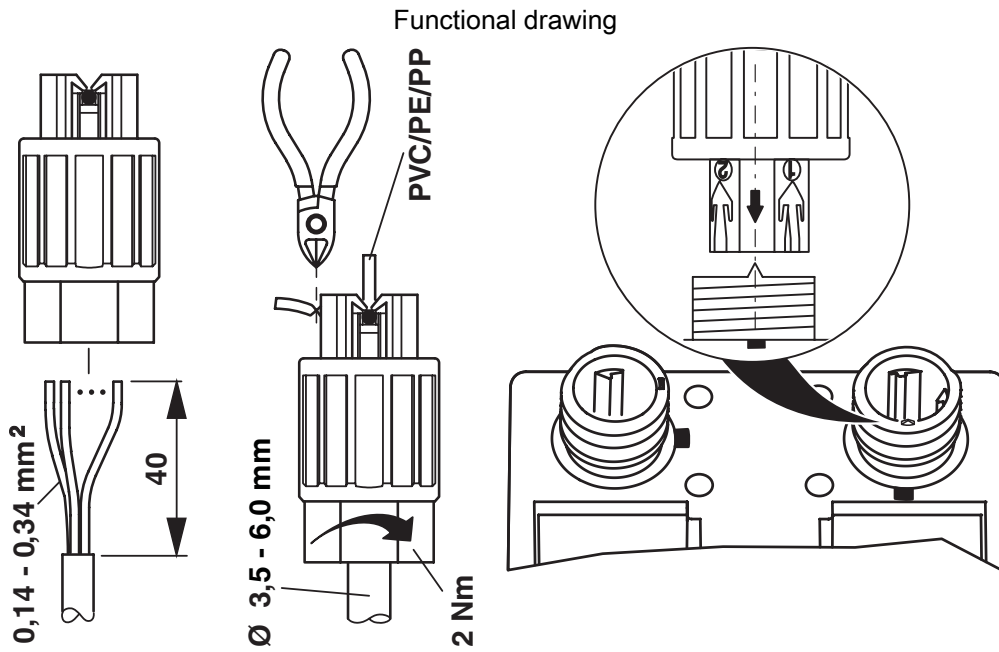
1548435

<https://www.phoenixcontact.com/us/products/1548435>

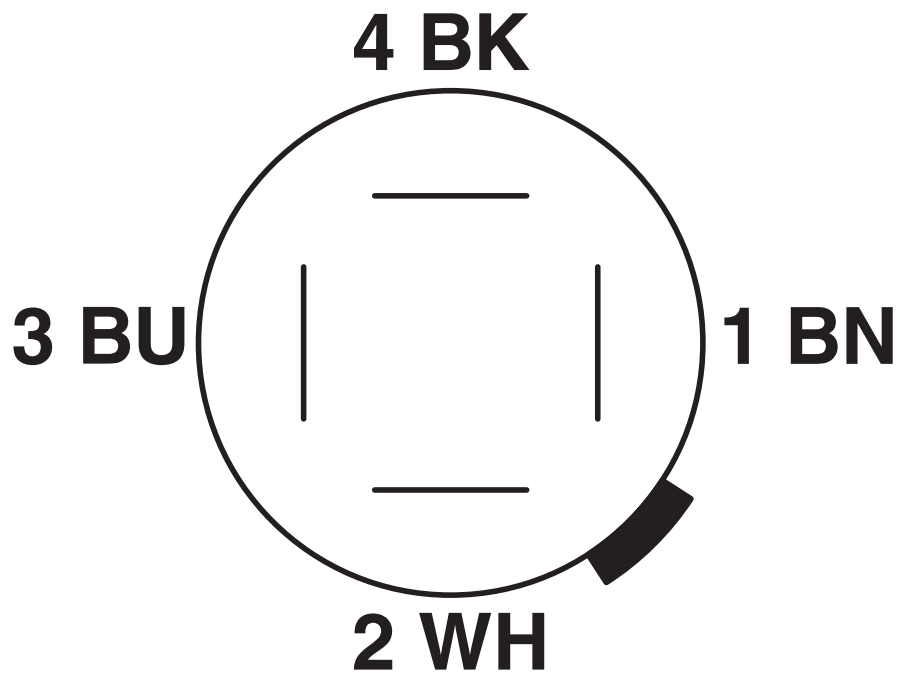
Drawings

Dimensional drawing





Schematic diagram



QUICKON connection, 4-pos.

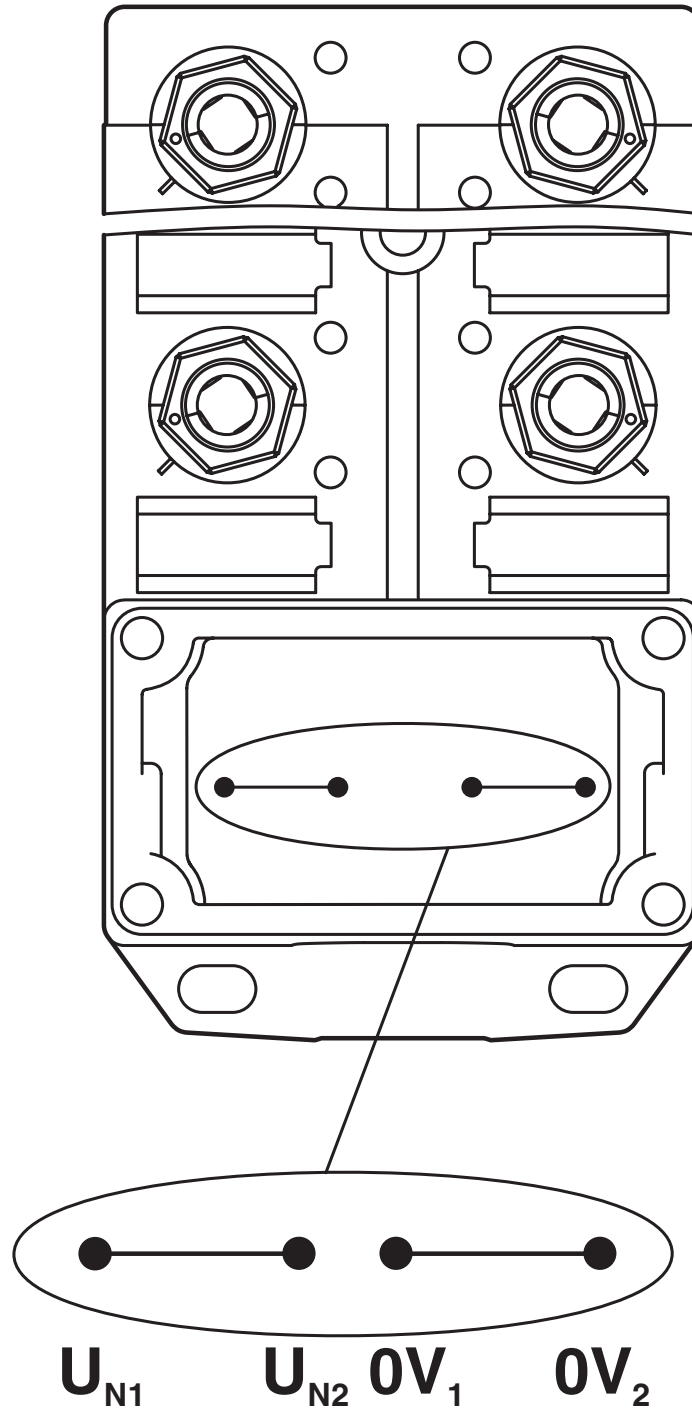
SACB- 8/4-C QO-0,34 - Distributor box

1548435

<https://www.phoenixcontact.com/us/products/1548435>



Schematic diagram



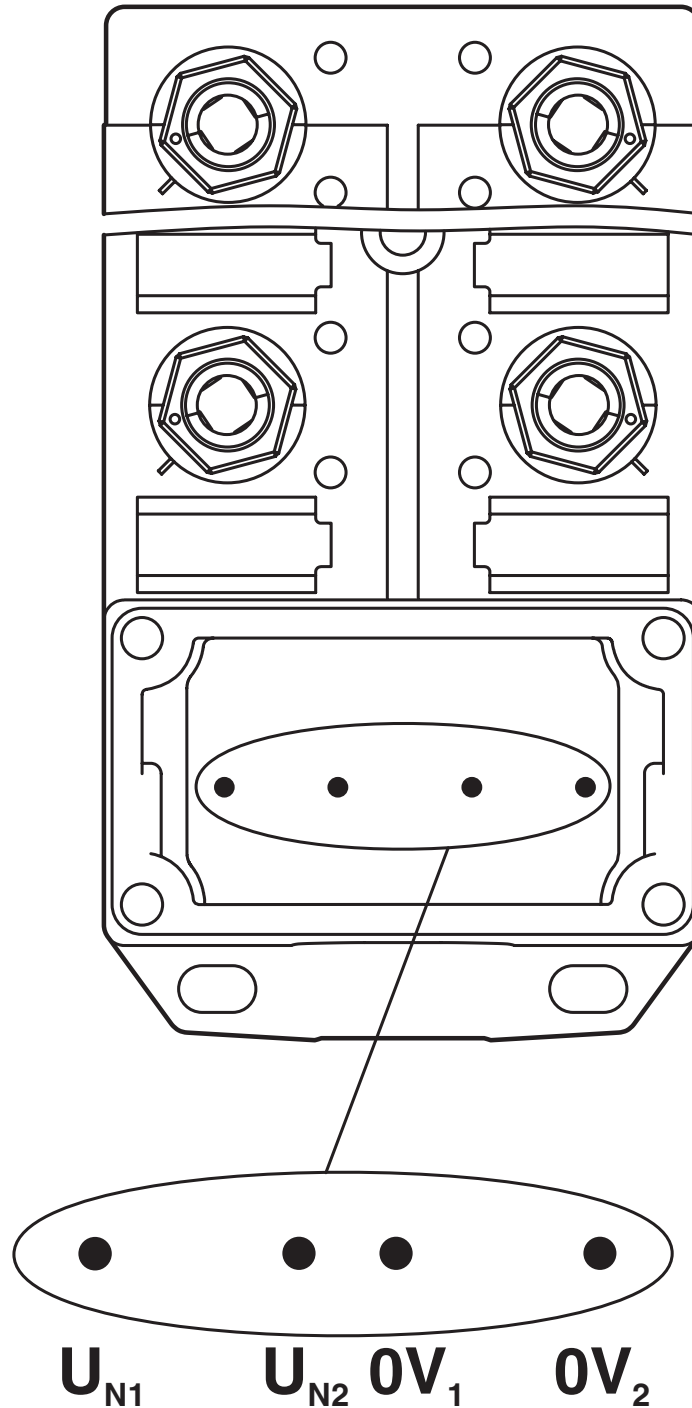
Potential U_{N1} and U_{N2} bridged. Potential assignment: $U_{N1} = U_{N2} =$ slots 1,2,3,4,5,6,7,8.

SACB- 8/4-C QO-0,34 - Distributor box

1548435

<https://www.phoenixcontact.com/us/products/1548435>

Schematic diagram



Electrically isolated. Potential assignment: U_{N1} = slots 1,3,5,7 and U_{N2} = slots 2,4,6,8.

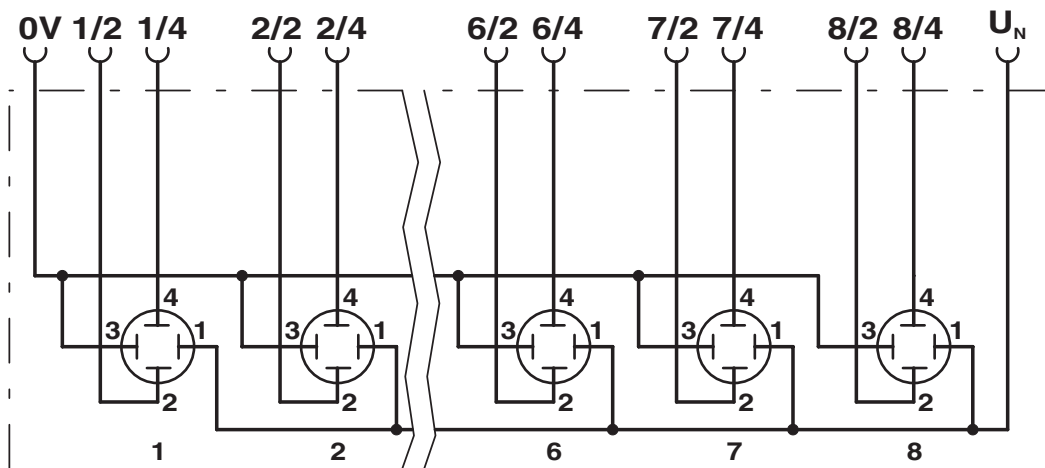
SACB- 8/4-C QO-0,34 - Distributor box



1548435

<https://www.phoenixcontact.com/us/products/1548435>

Circuit diagram



SACB- 8/4-C QO-0,34 - Distributor box



1548435

<https://www.phoenixcontact.com/us/products/1548435>

Classifications

ECLASS

ECLASS-13.0	27440111
ECLASS-15.0	27440111

UNSPSC

UNSPSC 21.0	31251501
-------------	----------

SACB- 8/4-C QO-0,34 - Distributor box



1548435

<https://www.phoenixcontact.com/us/products/1548435>

Environmental product compliance

EU RoHS

Fulfills EU RoHS substance requirements	Yes
Exemption	6(c)

China RoHS

Environment friendly use period (EFUP)	EFUP-50
	An article-related China RoHS declaration table can be found in the download area for the respective article under "Manufacturer declaration". For all articles with EFUP-E, no China RoHS declaration table issued and required.

EU REACH SVHC

REACH candidate substance (CAS No.)	Lead(CAS: 7439-92-1)
-------------------------------------	----------------------

Phoenix Contact 2026 © - all rights reserved
<https://www.phoenixcontact.com>

Phoenix Contact USA
586 Fulling Mill Road
Middletown, PA 17057, United States
(+717) 944-1300
info@phoenixcon.com