

SAC-3P-M12MS/ 2,4-240/A-1L-Z - Sensor/actuator cable



1548073

<https://www.phoenixcontact.com/us/products/1548073>

Please be informed that the data shown in this PDF document is generated from our online catalog. Please find the complete data in the user documentation. Our general terms of use for downloads are valid.



Sensor/actuator cable, 3-position, PUR halogen-free, yellow, Plug straight M12, coding: A, on Valve connector A, with 1 LED, cable length: 2.4 m, Customer version

As shown in the illustration but with a yellow conductor

Commercial data

Item number	1548073
Packing unit	1 pc
Minimum order quantity	100 pc
Note	Made to order (non-returnable)
Product key	AF1DJA
GTIN	4067923022836
Weight per piece (including packing)	105.941 g
Weight per piece (excluding packing)	22.22 g
Country of origin	PL

SAC-3P-M12MS/ 2,4-240/A-1L-Z - Sensor/actuator cable



1548073

<https://www.phoenixcontact.com/us/products/1548073>

Technical data

Product properties

Product type	Sensor/actuator cable with valve connector
Number of positions	3
No. of cable outlets	1
Shielded	no
Coding	A

Insulation characteristics

Overvoltage category	III
Degree of pollution	3

Material specifications

Flammability rating according to UL 94	HB
Seal material	TPU
Material housing valve plug	TPU
Material of grip body	TPU
Contact material	CuSn
Contact surface material	Ni/Au
Contact carrier material	TPU GF
Contact material	CuSn
Valve plug contact insert material	PA 6.6
Contact surface material	Sn
Material for screw connection	Zinc die-cast, nickel-plated

Electrical properties

Insulation resistance	$\geq 100 \text{ M}\Omega$
Nominal voltage U_N	24 V AC
	24 V DC
Nominal current I_N	4 A

Connector

Connection 1

Type	Plug straight M12
Number of positions	3
Coding type	A

Connection 2

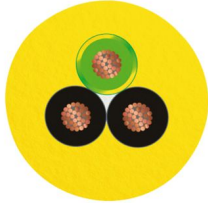
Type	Valve connector A
Material	CuSn (Contact)
	Sn (Contact surface)
	PA 6.6 (Contact carrier)
	TPU (Housing)

SAC-3P-M12MS/ 2,4-240/A-1L-Z - Sensor/actuator cable

1548073

<https://www.phoenixcontact.com/us/products/1548073>

Cable/line

Cable length	2.4 m
PUR halogen-free yellow [240]	
Dimensional drawing	
Cable weight	30 kg/km
UL AWM Style	20549 (80°C/300 V)
Number of positions	3
Shielded	no
Cable type	PUR halogen-free yellow [240]
Conductor structure signal line	28x 0.15 mm
AWG signal line	20
Conductor cross-section	3x 0.5 mm ²
Wire diameter incl. insulation	1.46 mm ±0.02 mm
External cable diameter	4.50 mm ±0.15 mm
Outer sheath, material	PUR
External sheath, color	yellow
Conductor material	Bare Cu litz wires
Material wire insulation	PP
Single wire, color	black 1, black 2, green/yellow
Thickness, insulation	≥ 0.21 mm
Thickness, outer sheath	approx. 0.60 mm
Overall twist	3 wires, twisted
Max. conductor resistance	≤ 39 Ω/km
Insulation resistance	≥ 10 GΩ*km
Nominal voltage, cable	≤ 300 V
Test voltage	≥ 3000 V
Minimum bending radius, fixed installation	5 x D
Minimum bending radius, flexible installation	10 x D
Smallest bending radius, fixed installation	23 mm
Smallest bending radius, movable installation	45 mm
Halogen-free	in accordance with DIN VDE 0472 part 815
Flame resistance	in accordance with DIN UL-Style 20549
Resistance to oil	in accordance with DIN EN 60811-2-1
Ambient temperature (operation)	-15 °C ... 80 °C (cable, fixed installation)

SAC-3P-M12MS/ 2,4-240/A-1L-Z - Sensor/actuator cable



1548073

<https://www.phoenixcontact.com/us/products/1548073>

Environmental and real-life conditions

Ambient conditions

Degree of protection	IP65
	IP67
Ambient temperature (operation)	-25 °C ... 90 °C (Plug / socket)
	-20 °C ... 85 °C (Valve connector)
	-40 °C ... 80 °C (cable, fixed installation)
	-15 °C ... 80 °C (Cable, flexible installation)

SAC-3P-M12MS/ 2,4-240/A-1L-Z - Sensor/actuator cable

1548073

<https://www.phoenixcontact.com/us/products/1548073>

Drawings

Dimensional drawing



Plug, M12 x 1, straight, shielded

Dimensional drawing

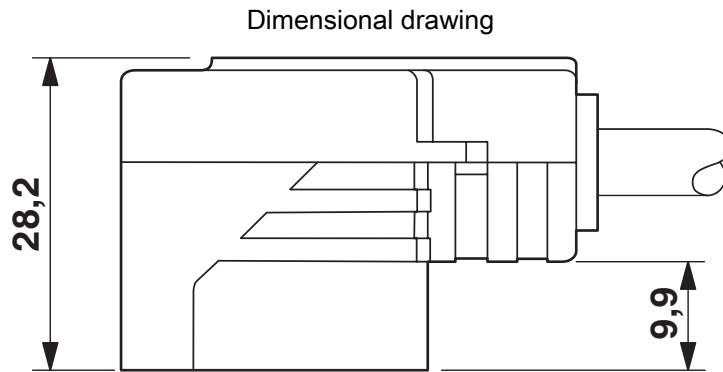


Valve connector, type A

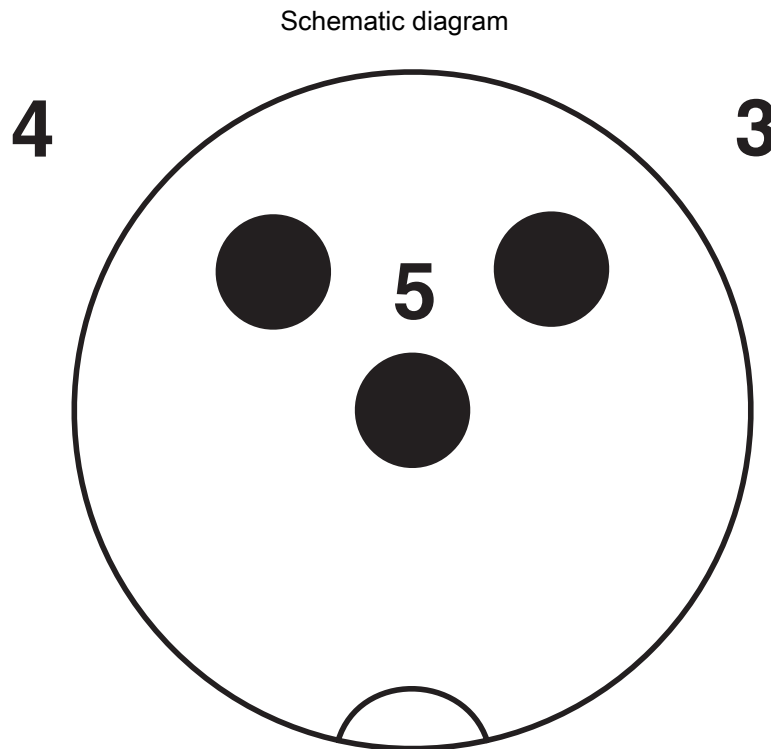
SAC-3P-M12MS/ 2,4-240/A-1L-Z - Sensor/actuator cable

1548073

<https://www.phoenixcontact.com/us/products/1548073>



Valve connector, type A, side view



Pin assignment M12 plug, 3-pos., valve connector

SAC-3P-M12MS/ 2,4-240/A-1L-Z - Sensor/actuator cable

1548073

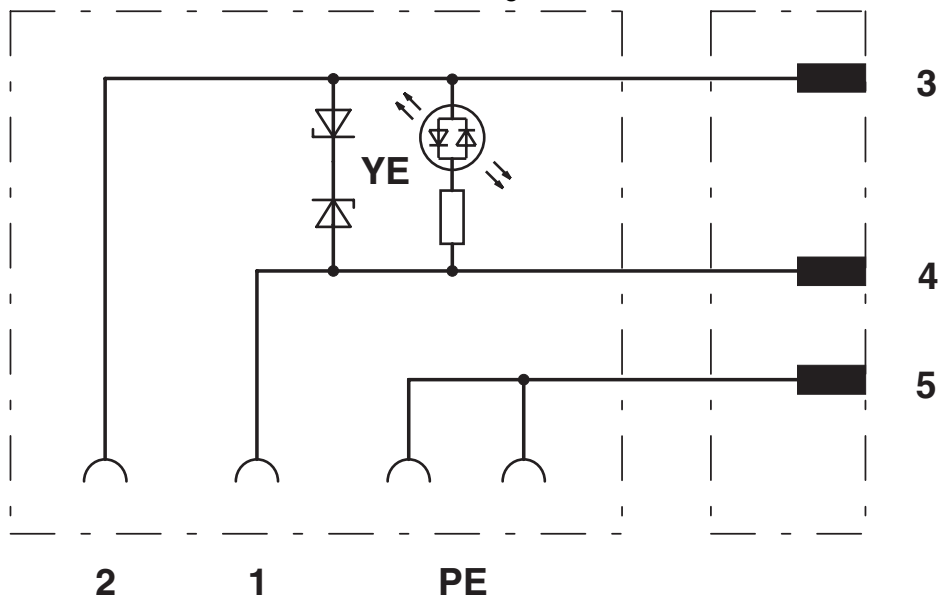
<https://www.phoenixcontact.com/us/products/1548073>

Schematic diagram



Valve connector pin assignment, type A

Circuit diagram



Contact assignment of M12 plug and valve connector

SAC-3P-M12MS/ 2,4-240/A-1L-Z - Sensor/actuator cable



1548073

<https://www.phoenixcontact.com/us/products/1548073>

Approvals

To download certificates, visit the product detail page: <https://www.phoenixcontact.com/us/products/1548073>

 UL Listed Approval ID: FILE E 221474				
	Nominal voltage U_N	Nominal current I_N	Cross section AWG	Cross section mm^2
keine				
	60 V	4 A	-	-

 cUL Listed Approval ID: FILE E 221474				
	Nominal voltage U_N	Nominal current I_N	Cross section AWG	Cross section mm^2
keine				
	60 V	4 A	-	-

 EAC-RoHS Approval ID: RU D-DE.HB35.B.00387	
--	--

SAC-3P-M12MS/ 2,4-240/A-1L-Z - Sensor/actuator cable



1548073

<https://www.phoenixcontact.com/us/products/1548073>

Classifications

ECLASS

ECLASS-13.0	27060312
ECLASS-15.0	27060312

ETIM

ETIM 10.0	EC001855
-----------	----------

SAC-3P-M12MS/ 2,4-240/A-1L-Z - Sensor/actuator cable



1548073

<https://www.phoenixcontact.com/us/products/1548073>

Environmental product compliance

EU RoHS

Fulfills EU RoHS substance requirements	Yes
Exemption	7(c)-I

China RoHS

Environment friendly use period (EFUP)	EFUP-50
	An article-related China RoHS declaration table can be found in the download area for the respective article under "Manufacturer declaration". For all articles with EFUP-E, no China RoHS declaration table issued and required.

EU REACH SVHC

REACH candidate substance (CAS No.)	Diboron trioxide(CAS: 1303-86-2)
	Lead monoxide (lead oxide)(CAS: 1317-36-8)
SCIP	ab7c4f36-2f3d-4b00-b3f1-329df656ab61

Phoenix Contact 2026 © - all rights reserved
<https://www.phoenixcontact.com>

Phoenix Contact USA
586 Fulling Mill Road
Middletown, PA 17057, United States
(+717) 944-1300
info@phoenixcon.com