

SACB-8/8-L-PUR SCO FLK14/MCV3P - Distributor box



1547928

<https://www.phoenixcontact.com/us/products/1547928>

Please be informed that the data shown in this PDF document is generated from our online catalog. Please find the complete data in the user documentation. Our general terms of use for downloads are valid.

Distributor box, application: Standard, extended requirements, connection method: M12 socket Metal, number of slots: 8, number of positions: 4, coding: A, slot assignment: single, status display: yes, PNP; master cable connection: Rear FLK pin strip and MINI COMBICON 270°, shielding: no



The figure shows the top and bottom side of the article

Your advantages

- Safety in the field, thanks to molded housing and high degree of protection
- Convenient: increased machine availability thanks to quick and easy diagnostics
- Save time, thanks to installation with SPEEDCON fast locking system
- Easy PLC system cabling, thanks to master connection on the back

Commercial data

Item number	1547928
Packing unit	1 pc
Note	Made to order (non-returnable)
Sales key	BF42
Product key	AF3CCE
GTIN	4046356135528
Weight per piece (including packing)	365 g
Weight per piece (excluding packing)	324.09 g
Customs tariff number	85366990
Country of origin	PL

Technical data

Notes

Assembly note	NOTE: Observe the permissible bending radii when routing cables, since the degree of protection may be at risk if the bending forces are too high. Reduce mechanical loads upstream of the connector, e.g., by using cable ties.
Note on application	Unused slots are to be sealed off prior to commissioning. Suitable sealing elements are to be found under "Accessories".

Product properties

Product type	Distributor box
Application	Standard, extended requirements
Number of positions	4
Number of slots	8
Coding	A
LED	yes

System properties

Local diagnostics

Monitored function	Supply voltage
Optical representation	Green LED

Electrical properties

Max. operating voltage U_{max}	30 V DC
Local diagnostics	Supply voltage Green LED
	Status display I/O Yellow LED
Nominal voltage U_N	24 V DC
Rated current, total	4 A
	8 A (up to 40 °C)
Max. current carrying capacity per path	0.5 A (1 A to 40 °C)
Current carrying capacity per slot	0.5 A (1 A to 40 °C)

Connection data

Conductor connection

Sensor/actuator connection system	M12 socket
Conductor cross-section Flexible power supply	0.14 mm ² ... 1.5 mm ²
Connection cross section AWG Flexible power supply	26 ... 16
Stripping length Signal line	9 mm
Tightening torque slot sensor/actuator cable	0.4 Nm
Tightening torque of mounting screw for fixing the housing	0.5 Nm

Connection assignment

1 / 4 (A) = 1

SACB-8/8-L-PUR SCO FLK14/MCV3P - Distributor box



1547928

<https://www.phoenixcontact.com/us/products/1547928>

Slot/position = Wire color or connection	2 / 4 (A) = 2
	3 / 4 (A) = 3
	4 / 4 (A) = 4
	5 / 4 (A) = 5
	6 / 4 (A) = 6
	7 / 4 (A) = 7
	8 / 4 (A) = 8
	1-8 / 1 (+ 24 V) = 9
	1-8 / 1 (+ 24 V) = 11
	1-8 / 1 (+ 24 V) = 13
	1-8 / 3 (0 V) = 10
	1-8 / 3 (0 V) = 12
	1-8 / 3 (0 V) = 14

Signaling

Status display present	yes
------------------------	-----

Dimensions

Dimensional drawing	
Width	58 mm
Height	28 mm
Length	159 mm

Material specifications

Material Threaded sleeve	Die-cast zinc
Material Housing	PBT
Material Molding compound	PUR
Seal material O-ring	NBR
Contact material	Cu alloy
Contact surface material	gold-plated
Contact carrier material	PA
Material of contact, master cable side	CU alloy
Material of the contact carrier on the master cable side	PA
Material of contact surface, master cable side	tin-plated

Cable/line

Connection method	Rear FLK pin strip and MINI COMBICON
-------------------	--------------------------------------

1547928

<https://www.phoenixcontact.com/us/products/1547928>

Environmental and real-life conditions

Ambient conditions

Degree of protection	IP54 (with sealed mounting holes)
Ambient temperature (operation) (male connector/female connector)	-30 °C ... 80 °C
Ambient temperature (storage/transport)	-30 °C ... 90 °C

Standards and regulations

M12

Standard designation	M12 connector
Standards/specifications	IEC 61076-2-101

SACB-8/8-L-PUR SCO FLK14/MCV3P - Distributor box

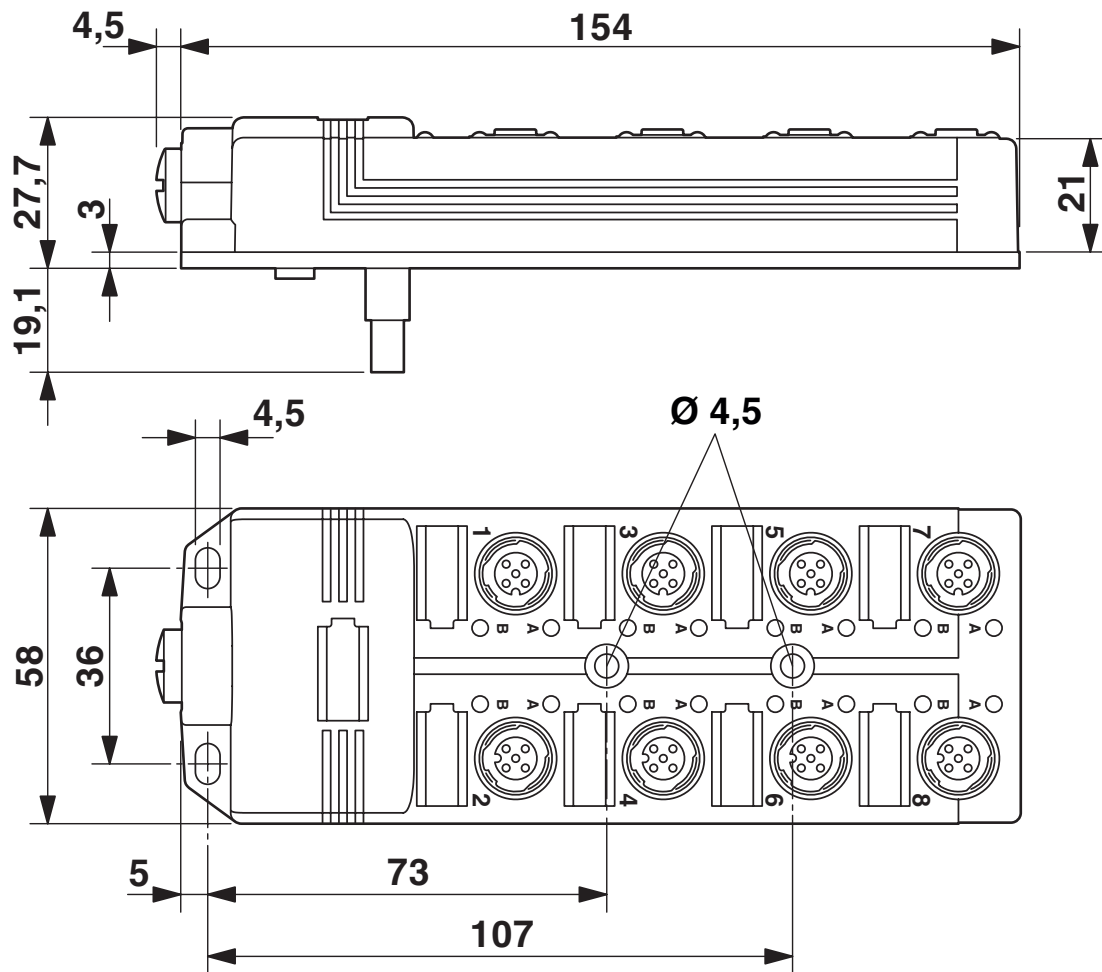


1547928

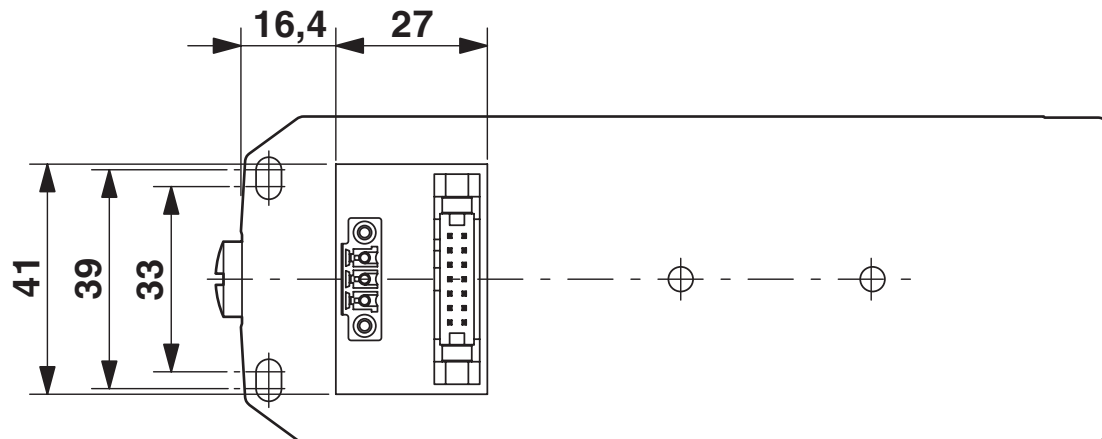
<https://www.phoenixcontact.com/us/products/1547928>

Drawings

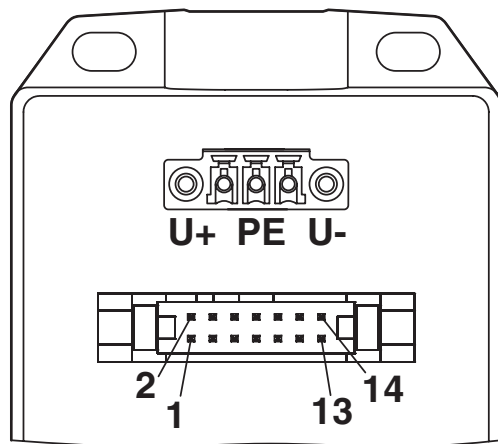
Dimensional drawing



Dimensional drawing



Connection diagram



FLK Connection	M12 Slots/pos.
1	1 / 4
2	2 / 4
3	3 / 4
4	4 / 4
5	5 / 4
6	6 / 4
7	7 / 4
8	8 / 4
9	1-8 / 1 (+24V)
11	1-8 / 1 (+24V)
13	1-8 / 1 (+24V)
10	1-8 / 3 (0V)
12	1-8 / 3 (0V)
14	1-8 / 3 (0V)

1547928

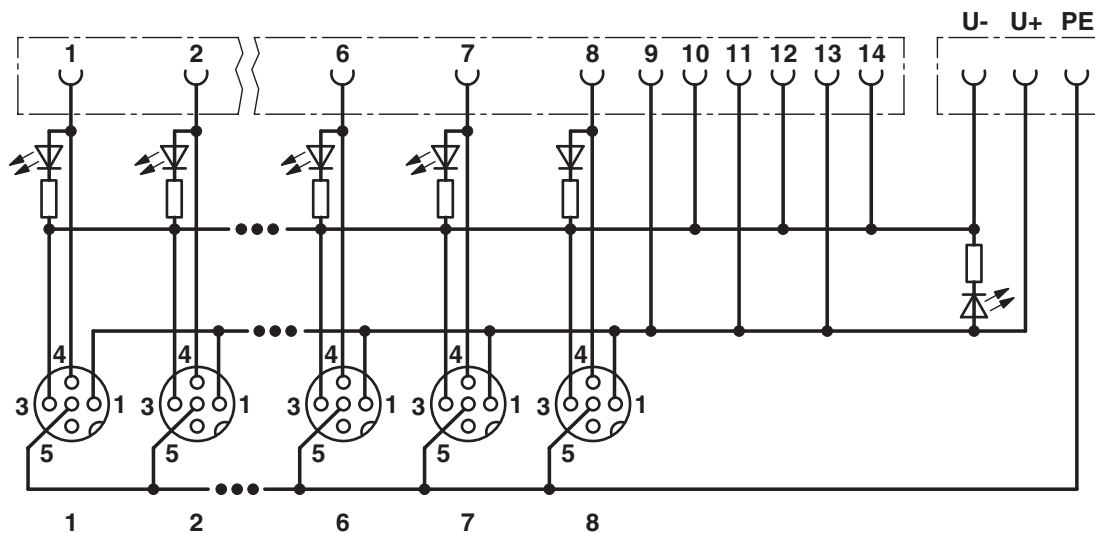
<https://www.phoenixcontact.com/us/products/1547928>

Schematic diagram



Pin assignment of M12 socket, 4-pos.

Circuit diagram



SACB-8/8-L-PUR SCO FLK14/MCV3P - Distributor box



1547928

<https://www.phoenixcontact.com/us/products/1547928>

Classifications

ECLASS

ECLASS-13.0	27440111
ECLASS-15.0	27440111

UNSPSC

UNSPSC 21.0	31251501
-------------	----------

1547928

<https://www.phoenixcontact.com/us/products/1547928>

Environmental product compliance

China RoHS

Environment friendly use period (EFUP)	EFUP-50
	An article-related China RoHS declaration table can be found in the download area for the respective article under "Manufacturer declaration". For all articles with EFUP-E, no China RoHS declaration table issued and required.

EU REACH SVHC

REACH candidate substance (CAS No.)	No substance above 0.1 wt%
-------------------------------------	----------------------------

Phoenix Contact 2026 © - all rights reserved
<https://www.phoenixcontact.com>

Phoenix Contact USA
586 Fulling Mill Road
Middletown, PA 17057, United States
(+717) 944-1300
info@phoenixcon.com