

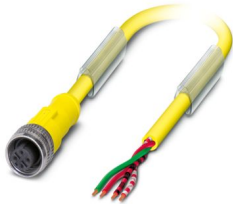
SAC-4P-MICFS/.../... - Sensor/actuator cable



1547216

<https://www.phoenixcontact.com/us/products/1547216>

Please be informed that the data shown in this PDF document is generated from our online catalog. Please find the complete data in the user documentation. Our general terms of use for downloads are valid.



Sensor/actuator cable, 4-position, Variable cable type, free cable end, on Socket straight 1/2"-20UNF, coding: C, cable length: Free input (0.2 ... 40.0 m)

Your advantages

- Easy and safe: 100 % electrically tested plug-in components
- Adapted: 1/2"-20UNF connectors with C-coding for the North American market

Commercial data

Item number	1547216
Packing unit	1 pc
Minimum order quantity	1 pc
Note	Made to order (non-returnable)
Sales key	BF17
Product key	AF1ECA
Customs tariff number	85444290
Country of origin	US

SAC-4P-MICFS/.../... - Sensor/actuator cable



1547216

<https://www.phoenixcontact.com/us/products/1547216>

Technical data

Notes

Trade restriction

CE note	The products are offered exclusively for export outside the EU and the European Economic Area.
---------	--

Product properties

Product type	Sensor/actuator cable
Application	Standard
Number of positions	4
No. of cable outlets	1
Shielded	no
Coding	C

Insulation characteristics

Overvoltage category	II
Degree of pollution	3

Material specifications

Flammability rating according to UL 94	HB
Seal material	NBR
Material of grip body	TPU, hardly inflammable, self-extinguishing
Contact material	CuSn
Contact surface material	Ni/Au
Contact carrier material	TPU GF
Material for screw connection	Brass, nickel-plated

Electrical properties

Insulation resistance	≥ 100 MΩ
Nominal voltage U_N	250 V AC
	250 V DC
Nominal current I_N	4 A
Test voltage	2500 V

Mechanical properties

Mechanical data

Insertion/withdrawal cycles	≥ 100
-----------------------------	-------

Signaling

Status display	no
Status display present	no

Connector

SAC-4P-MICFS/.../... - Sensor/actuator cable



1547216

<https://www.phoenixcontact.com/us/products/1547216>

Connection 1

Type	free cable end
------	----------------

Connection 2

Type	Socket straight 1/2"-20UNF
Number of positions	4
Coding type	C

Cable/line

Cable length	Free input (0.2 ... 40.0 m)
--------------	-----------------------------

PVC yellow [540]

Cable weight	42 kg/km
Number of positions	4
Shielded	no
Cable type	PVC yellow [540] PVC yellow 540
Conductor structure signal line	42x 0.10 mm
AWG signal line	22
Conductor cross-section	0.34 mm ²
Wire diameter incl. insulation	1.45 mm ±0.02 mm
External cable diameter	5.20 mm ±0.15 mm
Outer sheath, material	PVC
External sheath, color	yellow
Conductor material	Bare Cu litz wires
Material wire insulation	PVC
Single wire, color	red/black, red/white, red, green
Thickness, insulation	≥ 0.23 mm
Overall twist	4 wires, twisted
Max. conductor resistance	max. 58 Ω/km (at 20 °C)
Insulation resistance	≥ 1 GΩ*km (at 20 °C)
Nominal voltage, cable	≤ 300 V
Test voltage	≥ 3000 V
Flame resistance	As per UL-Style 2464
Ambient temperature (operation)	-25 °C ... 80 °C (cable, fixed installation) -5 °C ... 80 °C (Cable, flexible installation)

PVC yellow 105 °C [542]

Cable weight	43 kg/km
Number of positions	4
Shielded	no
Cable type	PVC yellow 105 °C [542] PVC yellow 105 °C 542
Conductor structure signal line	42x 0.10 mm
AWG signal line	22

SAC-4P-MICFS/.../... - Sensor/actuator cable



1547216

<https://www.phoenixcontact.com/us/products/1547216>

Conductor cross-section	0.34 mm ²
Wire diameter incl. insulation	1.55 mm ±0.05 mm
External cable diameter	5.50 mm ±0.2 mm
Outer sheath, material	PVC
External sheath, color	yellow
Conductor material	Bare Cu litz wires
Material wire insulation	PVC
Single wire, color	red/black, red/white, red, green
Thickness, insulation	≥ 0.38 mm (Core insulation) ≥ 0.76 mm (Outer cable sheath)
Overall twist	4 wires, twisted
Max. conductor resistance	max. 58 Ω/km (at 20 °C)
Insulation resistance	≥ 1 GΩ*km (at 20 °C)
Nominal voltage, cable	300 V
Test voltage	4000 V
Flame resistance	According to DIN EN 50265-2-1
Ambient temperature (operation)	-25 °C ... 105 °C (cable, fixed installation) -5 °C ... 105 °C (Cable, flexible installation)

Environmental and real-life conditions

Ambient conditions

Degree of protection	IP65
	IP67
	IP68
Ambient temperature (operation) (male connector/female connector)	-25 °C ... 90 °C (Plug / socket)

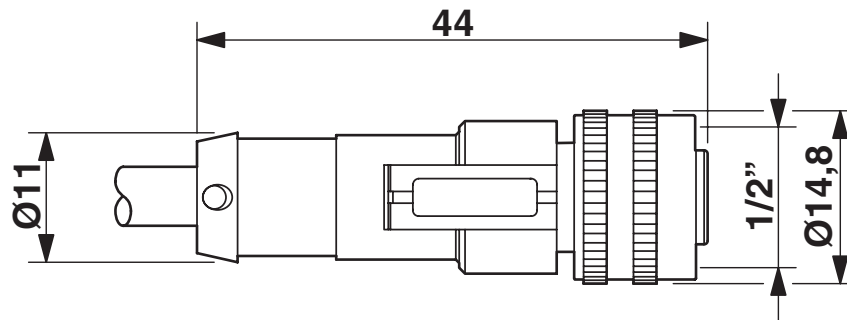
SAC-4P-MICFS/.../... - Sensor/actuator cable

1547216

<https://www.phoenixcontact.com/us/products/1547216>

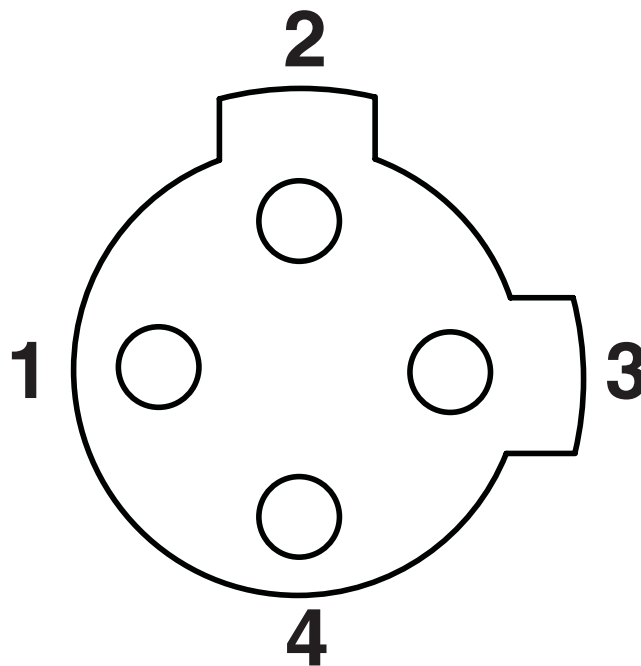
Drawings

Dimensional drawing



1/2"-20UNF socket, straight

Schematic diagram



Pin assignment 1/2"-20UNF socket, 4-pos., view female side

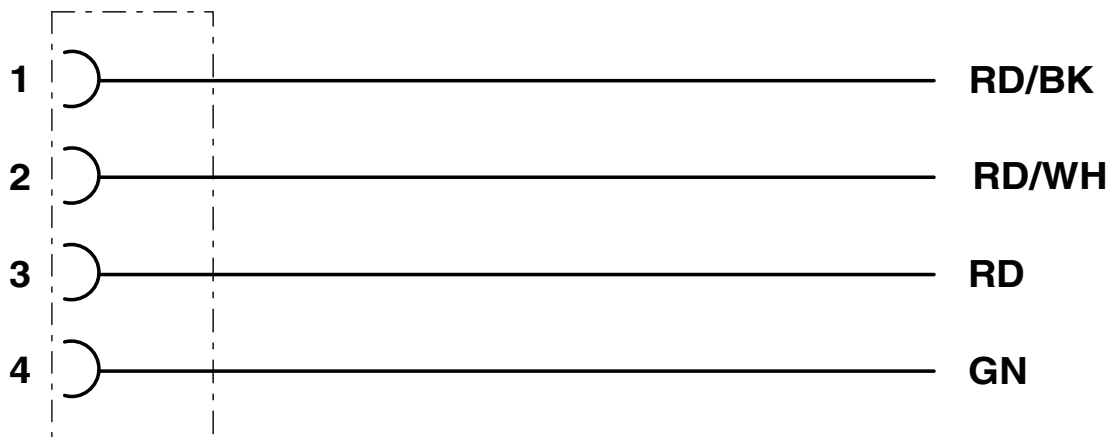
SAC-4P-MICFS/.../... - Sensor/actuator cable



1547216

<https://www.phoenixcontact.com/us/products/1547216>

Circuit diagram



Contact assignment of 1/2" UNF plugs / sockets

SAC-4P-MICFS/.../... - Sensor/actuator cable



1547216

<https://www.phoenixcontact.com/us/products/1547216>

Approvals

To download certificates, visit the product detail page: <https://www.phoenixcontact.com/us/products/1547216>

 UL Listed Approval ID: FILE E 221474				
	Nominal voltage U_N	Nominal current I_N	Cross section AWG	Cross section mm^2
keine				
	300 V	4 A	-	-

 cUL Listed Approval ID: FILE E 221474				
	Nominal voltage U_N	Nominal current I_N	Cross section AWG	Cross section mm^2
keine				
	300 V	4 A	-	-

 EAC-RoHS Approval ID: RU D-DE.HB35.B.00387				
--	--	--	--	--

SAC-4P-MICFS/.../... - Sensor/actuator cable



1547216

<https://www.phoenixcontact.com/us/products/1547216>

Classifications

ECLASS

ECLASS-13.0	27060311
ECLASS-15.0	27060311

ETIM

ETIM 10.0	EC001855
-----------	----------

UNSPSC

UNSPSC 21.0	26121600
-------------	----------

SAC-4P-MICFS/.../... - Sensor/actuator cable



1547216

<https://www.phoenixcontact.com/us/products/1547216>

Environmental product compliance

EU RoHS

Fulfills EU RoHS substance requirements	Yes, No exemptions
---	--------------------

China RoHS

Environment friendly use period (EFUP)	EFUP-E
	No hazardous substances above the limits

EU REACH SVHC

REACH candidate substance (CAS No.)	No substance above 0.1 wt%
-------------------------------------	----------------------------

Phoenix Contact 2026 © - all rights reserved
<https://www.phoenixcontact.com>

Phoenix Contact USA
586 Fulling Mill Road
Middletown, PA 17057, United States
(+717) 944-1300
info@phoenixcon.com