

SAC-3P-M12MS/ 5,0-150/M12FR-2L - Sensor/actuator cable



1546615

<https://www.phoenixcontact.com/us/products/1546615>

Please be informed that the data shown in this PDF document is generated from our online catalog. Please find the complete data in the user documentation. Our general terms of use for downloads are valid.



Sensor/actuator cable, 3-position, PUR halogen-free, irradiated, orange RAL 2003, Plug straight M12, coding: A, with 2 LEDs, on Socket angled M12, coding: A, with 2 LEDs, cable length: 5 m

As shown in the illustration but with an orange conductor

Commercial data

Item number	1546615
Packing unit	1 pc
Minimum order quantity	1 pc
Product key	AF1CBA
GTIN	4046356128742
Weight per piece (including packing)	144.6 g
Weight per piece (excluding packing)	144.6 g
Country of origin	IN

SAC-3P-M12MS/ 5,0-150/M12FR-2L - Sensor/actuator cable



1546615

<https://www.phoenixcontact.com/us/products/1546615>

Technical data

Product properties

Product type	Sensor/actuator cable
Number of positions	3
No. of cable outlets	1
Shielded	no
Coding	A

Insulation characteristics

Overvoltage category	II
Degree of pollution	3

Material specifications

Flammability rating according to UL 94	HB
Seal material	NBR
Material of grip body	TPU, hardly inflammable, self-extinguishing
Contact material	CuSn
Contact surface material	Ni/Au
Contact carrier material	TPU GF
Material for screw connection	Zinc die-cast, nickel-plated

Electrical properties

Insulation resistance	$\geq 100 \text{ M}\Omega$
Nominal voltage U_N	24 V
Nominal current I_N	4 A

Mechanical properties

Mechanical data

Insertion/withdrawal cycles	≥ 100
-----------------------------	------------

Signaling

Status display	2 LEDs
Status display present	yes

Connector

Connection 1

Type	Plug straight M12
Number of positions	3
Coding type	A

Connection 2

Type	Socket angled M12
Number of positions	3

SAC-3P-M12MS/ 5,0-150/M12FR-2L - Sensor/actuator cable



1546615

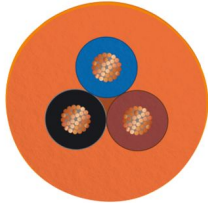
<https://www.phoenixcontact.com/us/products/1546615>

Coding type	A
-------------	---

Cable/line

Cable length	5 m
--------------	-----

PUR irradiated halogen-free orange [150]

Dimensional drawing	
Number of positions	3
Shielded	no
Cable type	PUR irradiated halogen-free orange [150]
Conductor structure signal line	42x 0.10 mm
AWG signal line	22
Conductor cross-section	3x 0.34 mm ² (Signal line)
Wire diameter incl. insulation	1.05 mm ±0.05 mm (Signal line)
External cable diameter	4.40 mm ±0.2 mm
Outer sheath, material	PUR
External sheath, color	orange RAL 2003
Conductor material	Bare Cu litz wires
Material wire insulation	PE
Single wire, color	brown, blue, black
Overall twist	3 wires, twisted
Max. conductor resistance	max. 57 Ω/km
Nominal voltage, cable	250 V (AC)
Test voltage	2000 V (50 Hz, 5 minutes)
Smallest bending radius, fixed installation	13.5 mm
Smallest bending radius, movable installation	53 mm
Dynamic load capacity (bending)	Max. bending cycles: 5000000, Bending radius: 44 mm, Traversing path: 10 m, Traversing rate: 3 m/s, Acceleration: 10 m/s ²
Flame resistance	according to DIN VDE 0472 Part 804
Other resistance	UV resistant
Special properties	Silicone-free Irradiated
Ambient temperature (operation)	-50 °C ... 105 °C (cable, fixed installation) -40 °C ... 105 °C (Cable, flexible installation)

Environmental and real-life conditions

SAC-3P-M12MS/ 5,0-150/M12FR-2L - Sensor/actuator cable



1546615

<https://www.phoenixcontact.com/us/products/1546615>

Ambient conditions

Degree of protection	IP65
	IP67
	IP68
Ambient temperature (operation)	-25 °C ... 90 °C (Plug / socket)
	-50 °C ... 105 °C (cable, fixed installation)
	-40 °C ... 105 °C (Cable, flexible installation)

SAC-3P-M12MS/ 5,0-150/M12FR-2L - Sensor/actuator cable

1546615

<https://www.phoenixcontact.com/us/products/1546615>

Drawings

Dimensional drawing



Plug, M12 x 1, straight, shielded

Dimensional drawing



Socket M12 x 1, angled, with LED

SAC-3P-M12MS/ 5,0-150/M12FR-2L - Sensor/actuator cable

1546615

<https://www.phoenixcontact.com/us/products/1546615>

Schematic diagram



Pin assignment M12 plug, 3-pos., A-coded, view male side

Schematic diagram



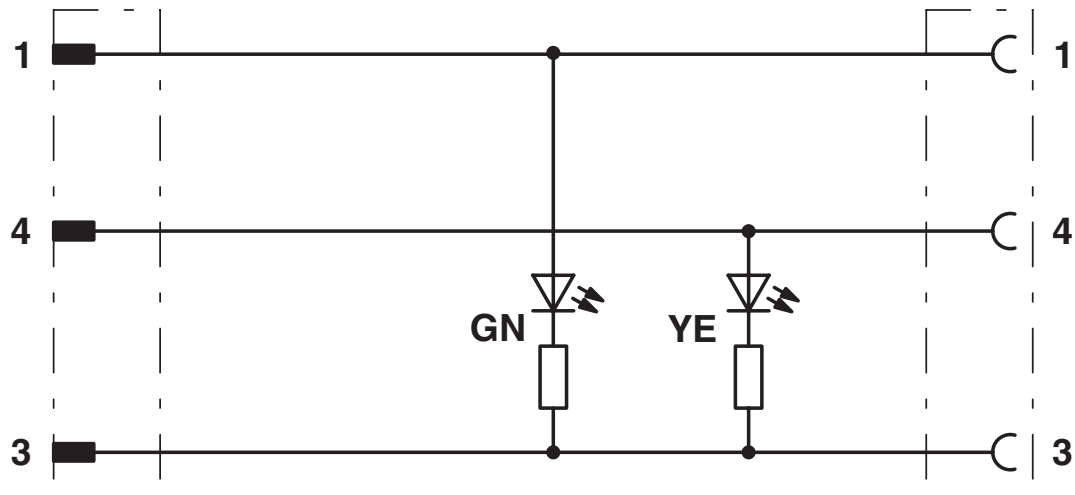
Pin assignment M12 socket, 3-pos., A-coded, view female side

SAC-3P-M12MS/ 5,0-150/M12FR-2L - Sensor/actuator cable

1546615

<https://www.phoenixcontact.com/us/products/1546615>

Circuit diagram



Contact assignment of M12 plugs / sockets with 3 LEDs

SAC-3P-M12MS/ 5,0-150/M12FR-2L - Sensor/actuator cable



1546615

<https://www.phoenixcontact.com/us/products/1546615>

Approvals

To download certificates, visit the product detail page: <https://www.phoenixcontact.com/us/products/1546615>

 UL Listed Approval ID: FILE E 221474				
	Nominal voltage U_N	Nominal current I_N	Cross section AWG	Cross section mm^2
keine				
	24 V	4 A	-	-

 cUL Listed Approval ID: FILE E 221474				
	Nominal voltage U_N	Nominal current I_N	Cross section AWG	Cross section mm^2
keine				
	24 V	4 A	-	-

 EAC-RoHS Approval ID: RU D-DE.HB35.B.00387	
--	--

SAC-3P-M12MS/ 5,0-150/M12FR-2L - Sensor/actuator cable



1546615

<https://www.phoenixcontact.com/us/products/1546615>

Classifications

ECLASS

ECLASS-13.0	27060311
ECLASS-15.0	27060311

ETIM

ETIM 10.0	EC001855
-----------	----------

UNSPSC

UNSPSC 21.0	26121600
-------------	----------

SAC-3P-M12MS/ 5,0-150/M12FR-2L - Sensor/actuator cable



1546615

<https://www.phoenixcontact.com/us/products/1546615>

Environmental product compliance

EU RoHS

Fulfills EU RoHS substance requirements	Yes, No exemptions
---	--------------------

China RoHS

Environment friendly use period (EFUP)	EFUP-E
	No hazardous substances above the limits

EU REACH SVHC

REACH candidate substance (CAS No.)	No substance above 0.1 wt%
-------------------------------------	----------------------------

EF3.1 Climate Change

CO2e kg	18.769 kg CO2e
---------	----------------

Phoenix Contact 2026 © - all rights reserved
<https://www.phoenixcontact.com>

Phoenix Contact USA
586 Fulling Mill Road
Middletown, PA 17057, United States
(+717) 944-1300
info@phoenixcon.com