

# SACC-V-3CON-M16/A-1L-S - Valve connector



1544714

<https://www.phoenixcontact.com/us/products/1544714>

Please be informed that the data shown in this PDF document is generated from our online catalog. Please find the complete data in the user documentation. Our general terms of use for downloads are valid.



Valve connector, Universal, 3-position, Valve connector A, Screw connection, cable gland M16, external cable diameter 5 mm ... 10 mm

## Commercial data

Item number	1544714
Packing unit	1 pc
Minimum order quantity	1 pc
Sales key	BF36
Product key	AF2DAA
GTIN	4046356116381
Weight per piece (including packing)	37 g
Weight per piece (excluding packing)	36.33 g
Customs tariff number	85366990
Country of origin	CN

# SACC-V-3CON-M16/A-1L-S - Valve connector



1544714

<https://www.phoenixcontact.com/us/products/1544714>

## Technical data

### Notes

Assembly note	<b>NOTE:</b> Observe the permissible bending radii when routing cables, since the degree of protection may be at risk if the bending forces are too high. Reduce mechanical loads upstream of the connector, e.g., by using cable ties.
---------------	---

### Product properties

Product type	Valve connectors
Number of positions	3
No. of cable outlets	1
Shielded	no
Pg screw connection	M16

### Insulation characteristics

Overvoltage category	II
Degree of pollution	3

### Material specifications

Flammability rating according to UL 94	HB
Seal material	NBR
Material housing valve plug	PA
Contact material	CuSn
Valve plug contact insert material	PBT
Contact surface material	Ag

### Dimensions

#### External dimensions

Outside diameter	5 mm ... 10 mm
------------------	----------------

### Electrical properties

Contact resistance	≤ 4 mΩ
Insulation resistance	> 2 GΩ
Nominal voltage $U_N$	24 V AC
	24 V DC
Nominal current $I_N$	4 A
Protective circuit	Surge protection; Z diode

### Mechanical properties

#### Mechanical data

Insertion/withdrawal cycles	50 (Valve connector)
-----------------------------	----------------------

### Signaling

# SACC-V-3CON-M16/A-1L-S - Valve connector



1544714

<https://www.phoenixcontact.com/us/products/1544714>

Status display	LED (yellow)
Status display present	yes

## Connection data

Connection method	Screw connection
Conductor cross-section	0.34 mm <sup>2</sup> ... 2.5 mm <sup>2</sup>
Connection cross section AWG	22 ... 13

## Connector

### Connection 1

Head design	Valve connector
Head thread type	A

## Environmental and real-life conditions

### Ambient conditions

Degree of protection	IP65
Ambient temperature (operation) (male connector/female connector)	-25 °C ... 60 °C (Valve connector)

## Standards and regulations

### Valve connector

Standard designation	Valve connector
Standards/specifications	EN 175301-803

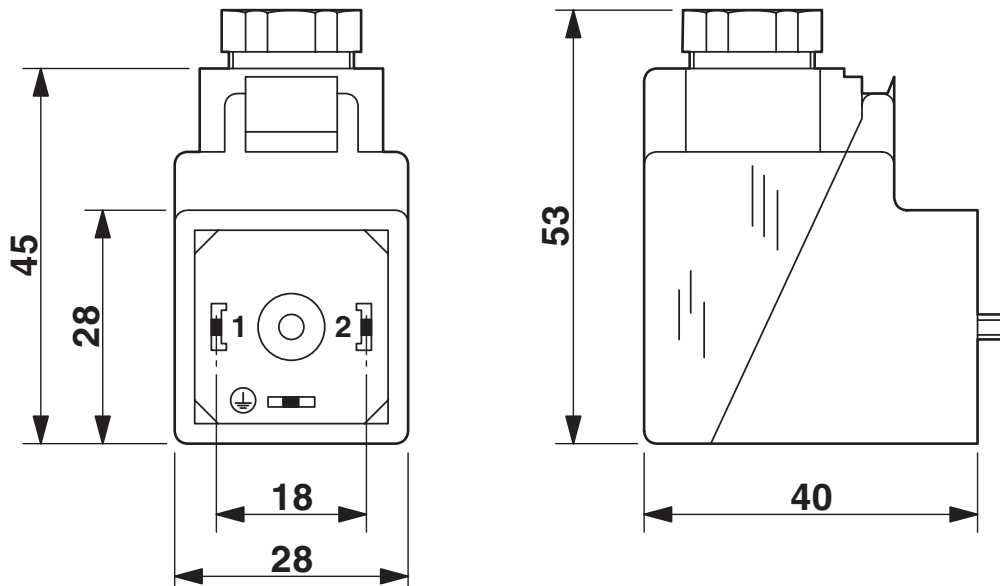
# SACC-V-3CON-M16/A-1L-S - Valve connector

1544714

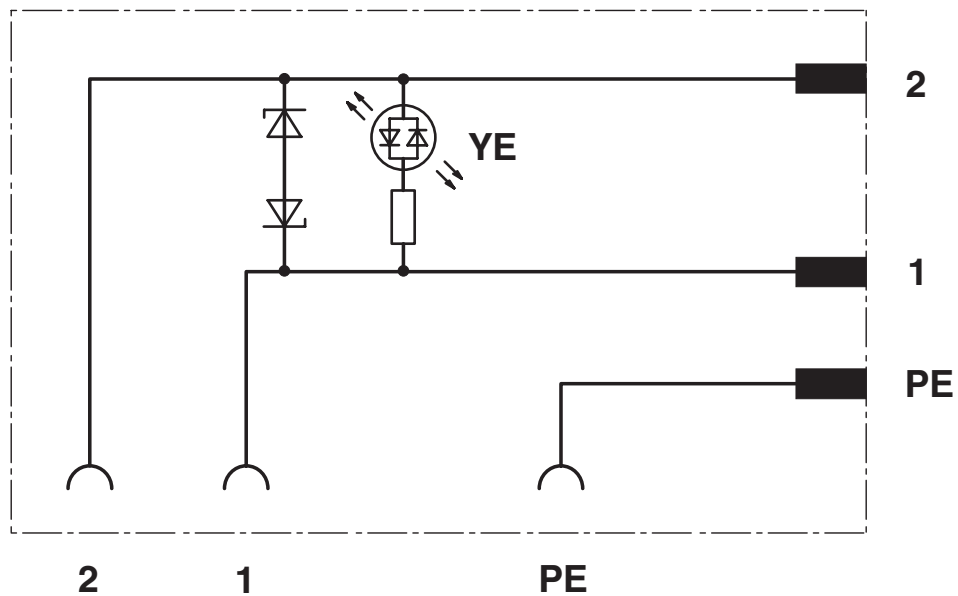
<https://www.phoenixcontact.com/us/products/1544714>

## Drawings

Dimensional drawing



Circuit diagram



# SACC-V-3CON-M16/A-1L-S - Valve connector



1544714

<https://www.phoenixcontact.com/us/products/1544714>

## Classifications

### ECLASS

ECLASS-13.0	27440105
ECLASS-15.0	27440105

### ETIM

ETIM 10.0	EC003623
-----------	----------

### UNSPSC

UNSPSC 21.0	31251500
-------------	----------

# SACC-V-3CON-M16/A-1L-S - Valve connector



1544714

<https://www.phoenixcontact.com/us/products/1544714>

## Environmental product compliance

### EU RoHS

Fulfills EU RoHS substance requirements	Yes
Exemption	6(c), 7(c)-I

### China RoHS

Environment friendly use period (EFUP)	EFUP-25
	An article-related China RoHS declaration table can be found in the download area for the respective article under "Manufacturer declaration". For all articles with EFUP-E, no China RoHS declaration table issued and required.

### EU REACH SVHC

REACH candidate substance (CAS No.)	Lead(CAS: 7439-92-1)
SCIP	4488497a-1bff-4124-a8af-ef15af868629

### EF3.1 Climate Change

CO2e kg	2.521 kg CO2e
---------	---------------

Phoenix Contact 2026 © - all rights reserved  
<https://www.phoenixcontact.com>

Phoenix Contact USA  
586 Fulling Mill Road  
Middletown, PA 17057, United States  
(+717) 944-1300  
[info@phoenixcon.com](mailto:info@phoenixcon.com)