

PROT-M12 VPE1000 - Screw plug



1539525

<https://www.phoenixcontact.com/us/products/1539525>

Please be informed that the data shown in this PDF document is generated from our online catalog. Please find the complete data in the user documentation. Our general terms of use for downloads are valid.



M12 screw plug for the unoccupied M12 sockets of the sensor/actuator cable, boxes and flush-type connectors, packing unit containing 1000 pieces

Your advantages

- Reliable protection of unoccupied slots during transport and use in the field
- Protected against splash water and dust
- Easy assembly using a screwdriver

Commercial data

Item number	1539525
Packing unit	1,000 pc
Minimum order quantity	1,000 pc
Note	Made to order (non-returnable)
Sales key	BF46
Product key	AF3ZAX
GTIN	4046356088480
Weight per piece (including packing)	1.755 g
Weight per piece (excluding packing)	0.65 g
Customs tariff number	39269097
Country of origin	DE

PROT-M12 VPE1000 - Screw plug

1539525

<https://www.phoenixcontact.com/us/products/1539525>

Technical data

Notes

Note on application	Also suitable for M12 push-pull.
---------------------	----------------------------------

Product properties

Product type	Plug for cable screw gland
Thread type	M12

Connection data

Tightening torque	0.4 Nm
-------------------	--------

Dimensions

Dimensional drawing	
Diameter	15 mm

Material specifications

Material	PA
Flammability rating according to UL 94	V0

Environmental and real-life conditions

Ambient conditions

Degree of protection	IP67
----------------------	------

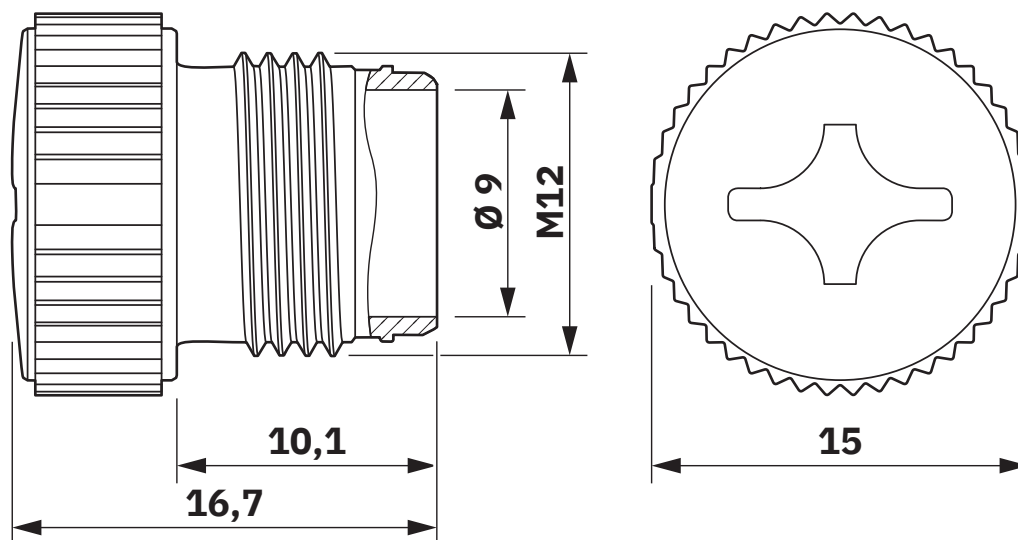
PROT-M12 VPE1000 - Screw plug

1539525

<https://www.phoenixcontact.com/us/products/1539525>

Drawings

Dimensional drawing



PROT-M12 VPE1000 - Screw plug



1539525

<https://www.phoenixcontact.com/us/products/1539525>

Approvals

To download certificates, visit the product detail page: <https://www.phoenixcontact.com/us/products/1539525>



UL Recognized

Approval ID: E240868

PROT-M12 VPE1000 - Screw plug



1539525

<https://www.phoenixcontact.com/us/products/1539525>

Classifications

ECLASS

ECLASS-13.0	23111190
ECLASS-15.0	27440192

ETIM

ETIM 10.0	EC002374
-----------	----------

UNSPSC

UNSPSC 21.0	31261500
-------------	----------

PROT-M12 VPE1000 - Screw plug



1539525

<https://www.phoenixcontact.com/us/products/1539525>

Environmental product compliance

EU RoHS

Fulfills EU RoHS substance requirements	Yes, No exemptions
---	--------------------

China RoHS

Environment friendly use period (EFUP)	EFUP-E
	No hazardous substances above the limits

EU REACH SVHC

REACH candidate substance (CAS No.)	No substance above 0.1 wt%
-------------------------------------	----------------------------

Phoenix Contact 2026 © - all rights reserved
<https://www.phoenixcontact.com>

Phoenix Contact USA
586 Fulling Mill Road
Middletown, PA 17057, United States
(+717) 944-1300
info@phoenixcon.com