

SACC-M12MSB-2SC SH PB - Data connector



1539198

<https://www.phoenixcontact.com/us/products/1539198>

Please be informed that the data shown in this PDF document is generated from our online catalog. Please find the complete data in the user documentation. Our general terms of use for downloads are valid.



Data connector, 2-position, shielded, Plug straight M12, coding: B, Spring-cage connection, knurl material: Brass, nickel-plated, external cable diameter 4 mm ... 8 mm

Commercial data

Item number	1539198
Packing unit	1 pc
Minimum order quantity	1 pc
Product key	AF2CFC
GTIN	4046356084246
Weight per piece (including packing)	40.8 g
Weight per piece (excluding packing)	40.8 g
Country of origin	DE

SACC-M12MSB-2SC SH PB - Data connector



1539198

<https://www.phoenixcontact.com/us/products/1539198>

Technical data

Mounting

Assembly note	The wires can be connected both with ferrules and without ferrules
---------------	--

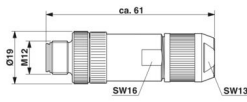
Product properties

Product type	Circular connector (cable-side)
Number of positions	2
No. of cable outlets	1
Shielded	yes
Coding	B
Cable outlet	straight

Insulation characteristics

Overvoltage category	II
Degree of pollution	3

Dimensions

Dimensional drawing	
Wrench size, union nut	13 mm

External dimensions

Outside diameter	4 mm ... 8 mm
------------------	---------------

Material specifications

Flammability rating according to UL 94	V0
Seal material	NBR
Material of grip body	Zinc die-cast, nickel-plated
Contact material	CuSn
Contact surface material	Ni/Au
Contact carrier material	PA 6.6
Material for screw connection	Brass, nickel-plated

Connection data

Conductor connection

Connection method	Spring-cage connection
Connection cross section	0.14 mm ² ... 0.5 mm ²
Connection cross section AWG	26 ... 20
Stripping length of the individual wire	10 mm

SACC-M12MSB-2SC SH PB - Data connector



1539198

<https://www.phoenixcontact.com/us/products/1539198>

Tightening torque	0.4 Nm (M12 knurl)
	0.8 Nm (Connector with coupling sleeve)
	3 Nm (Pressure nut)

Electrical properties

Contact resistance	$\leq 8 \text{ m}\Omega$
Insulation resistance	$\geq 100 \text{ M}\Omega$
Nominal voltage U_N	60 V DC
	48 V AC
Nominal current I_N	4 A

Mechanical properties

Mechanical data

Insertion/withdrawal cycles	≥ 100
-----------------------------	------------

Connector

Connection 1

Head design	Plug
Head cable outlet	straight
Head thread type	M12
Coding	B

Cable/line

Stripping length of the individual wire	10 mm
---	-------

Environmental and real-life conditions

Ambient conditions

Degree of protection	IP67
Ambient temperature (operation) (male connector/female connector)	-40 °C ... 85 °C (Plug / socket)

Standards and regulations

Standard designation	M12 connector
Standards/specifications	IEC 61076-2-101

SACC-M12MSB-2SC SH PB - Data connector

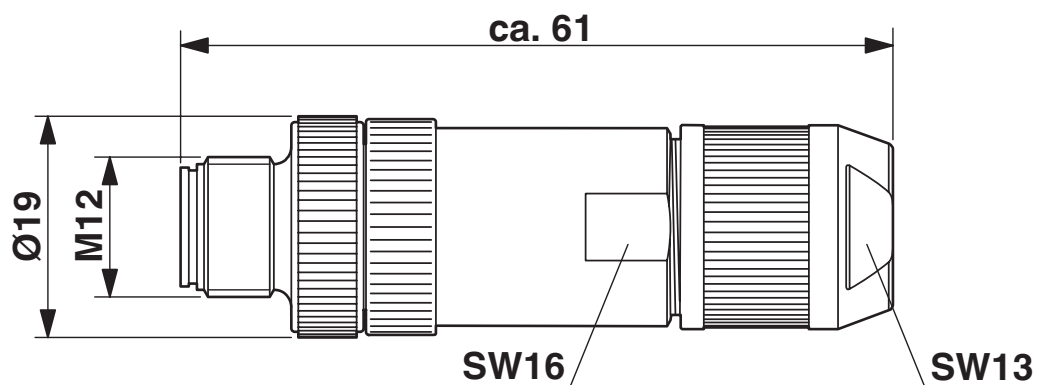


1539198

<https://www.phoenixcontact.com/us/products/1539198>

Drawings

Dimensional drawing



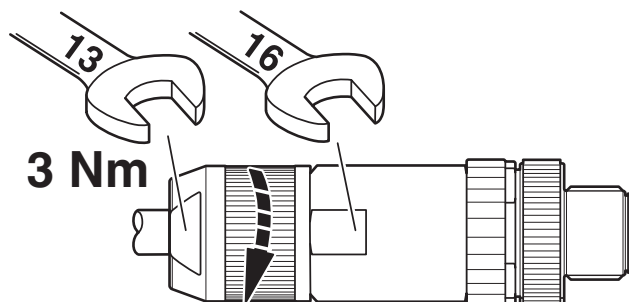
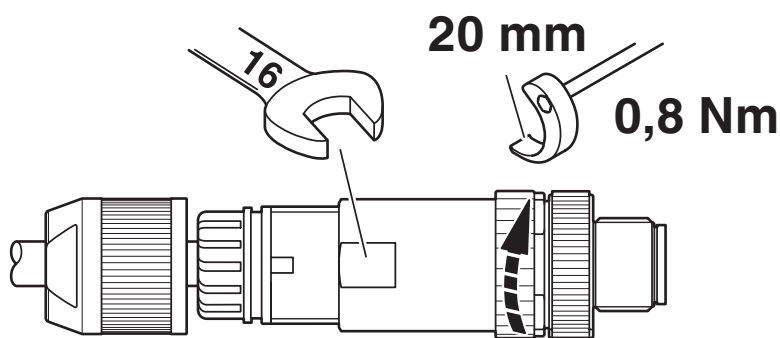
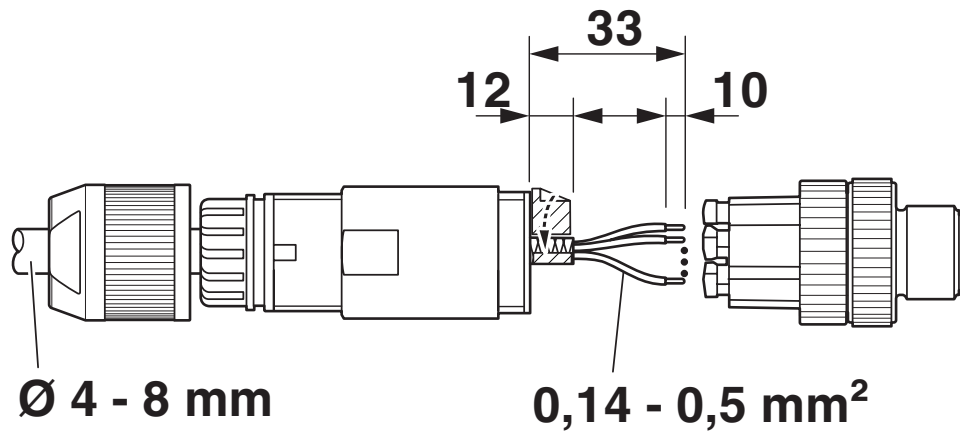
Plug, M12 x 1, straight, shielded

SACC-M12MSB-2SC SH PB - Data connector

1539198

<https://www.phoenixcontact.com/us/products/1539198>

Functional drawing



Slide the pressure nut and sleeve housing along the cable, strip the cable, shorten the shield, strip the single wires, connect the wires, in the case of a straight sleeve housing gently twist the wires together, stick the shielding foil around the shortened shield, in the case of a cable outside diameter $< 6 \text{ mm}$ stick an additional shielding foil around the wire pack, screw the sleeve housing to the plug insert, screw the pressure nut tight.

SACC-M12MSB-2SC SH PB - Data connector

1539198

<https://www.phoenixcontact.com/us/products/1539198>

Schematic diagram



Pin assignment M12 male connector, 5-pos., B-coded, male side

SACC-M12MSB-2SC SH PB - Data connector



1539198

<https://www.phoenixcontact.com/us/products/1539198>

Classifications

ECLASS

ECLASS-13.0	27440116
ECLASS-15.0	27440116

Phoenix Contact 2026 © - all rights reserved

<https://www.phoenixcontact.com>

Phoenix Contact USA
586 Fulling Mill Road
Middletown, PA 17057, United States
(+717) 944-1300
info@phoenixcon.com