

# SAC-3P-M 8MS/ 1,5-170/M 8FR-2L - Sensor/actuator cable



1538872

<https://www.phoenixcontact.com/us/products/1538872>

Please be informed that the data shown in this PDF document is generated from our online catalog. Please find the complete data in the user documentation. Our general terms of use for downloads are valid.



Sensor/actuator cable, 3-position, PUR halogen-free, black-gray RAL 7021, Plug straight M8, coding: A, with 2 LEDs, on Socket angled M8, with 2 LEDs, cable length: 1.5 m

## Commercial data

Item number	1538872
Packing unit	1 pc
Minimum order quantity	1 pc
Product key	AF1BBA
GTIN	4046356077316
Weight per piece (including packing)	43.1 g
Weight per piece (excluding packing)	43.1 g
Country of origin	PL

# SAC-3P-M 8MS/ 1,5-170/M 8FR-2L - Sensor/actuator cable



1538872

<https://www.phoenixcontact.com/us/products/1538872>

## Technical data

### Product properties

Product type	Sensor/actuator cable
Number of positions	3
No. of cable outlets	1
Shielded	no
Coding	A

### Insulation characteristics

Overvoltage category	II
Degree of pollution	3

### Material specifications

Flammability rating according to UL 94	HB
Seal material	NBR
Material of grip body	TPU, hardly inflammable, self-extinguishing
Contact material	CuSn
Contact surface material	Ni/Au
Contact carrier material	TPU GF
Material for screw connection	Zinc die-cast, nickel-plated
Outer sheath, material	PUR
Conductor material	Bare Cu litz wires

### Electrical properties

Insulation resistance	$\geq 100 \text{ M}\Omega$
Nominal voltage $U_N$	24 V
Nominal current $I_N$	4 A
Max. conductor resistance	77.6 $\Omega/\text{m}$

### Mechanical properties

#### Mechanical data

Max. bending cycles	4000000
---------------------	---------

### Signaling

Status display	2 LEDs
Status display present	yes

### Connector

#### Connection 1

Type	Plug straight M8
Number of positions	3
Coding type	A

# SAC-3P-M 8MS/ 1,5-170/M 8FR-2L - Sensor/actuator cable

1538872

<https://www.phoenixcontact.com/us/products/1538872>

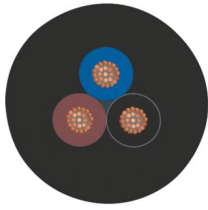
## Connection 2

Type	Socket angled M8
Number of positions	3

## Cable/line

Cable length	1.5 m
--------------	-------

## PUR halogen-free black [PUR]

Dimensional drawing	
Cable weight	18 kg/km
UL AWM Style	20549 / 10493 (80°C/300 V)
Number of positions	3
Shielded	no
Cable type	PUR halogen-free black [PUR]
Conductor structure signal line	32x 0.10 mm
AWG signal line	24
Conductor cross-section	3x 0.25 mm <sup>2</sup> (Signal line)
Wire diameter incl. insulation	1.17 mm ±0.02 mm
External cable diameter	3.60 mm ±0.15 mm
Outer sheath, material	PUR
External sheath, color	black-gray RAL 7021
Conductor material	Bare Cu litz wires
Material wire insulation	PP
Single wire, color	brown, blue, black
Thickness, insulation	≥ 0.21 mm (Core insulation)
Thickness, outer sheath	approx. 0.50 mm
Overall twist	3 wires, twisted
Length of twist, overall twist	40 mm
Max. conductor resistance	≤ 78 Ω/km (at 20 °C)
Insulation resistance	≥ 100 GΩ*km (at 20 °C)
Nominal voltage, cable	≤ 300 V
Test voltage	≥ 3000 V
Smallest bending radius, fixed installation	18 mm
Smallest bending radius, movable installation	36 mm
Dynamic load capacity (bending)	Max. bending cycles: 10000000, Bending radius: 44 mm, Traversing path: 10 m, Traversing rate: 3 m/s, Acceleration: 10 m/s <sup>2</sup>

# SAC-3P-M 8MS/ 1,5-170/M 8FR-2L - Sensor/actuator cable



1538872

<https://www.phoenixcontact.com/us/products/1538872>

Dynamic load capacity (torsion)	Torsion: $\pm 180$ °/m, Torsion cycles: $\geq 5000000$ , Torsional frequency: 35 cycles/min.
Halogen-free	in accordance with DIN VDE 0472 part 815
Flame resistance	in accordance with UL 758/1581 FT2 DIN EN 60332-2-2 (20 s)
Resistance to oil	in accordance with DIN EN 60811-2-1
Other resistance	hydrolysis and microbe resistant Highly resistant to acids, alkaline solutions and solvents Resistant to salt water partly UV-resistant (in accordance with DIN EN ISO 4892-2-A)
Special properties	Flexible cable conduit capable Silicone-free Free of substances which would hinder coating with paint or varnish
Ambient temperature (operation)	-40 °C ... 80 °C (cable, fixed installation) -25 °C ... 80 °C (Cable, flexible installation)

## Environmental and real-life conditions

### Ambient conditions

Degree of protection	IP65 IP67 IP68
Ambient temperature (operation)	-25 °C ... 90 °C (Plug / socket) -40 °C ... 80 °C (cable, fixed installation) -5 °C ... 80 °C (Cable, flexible installation)

# SAC-3P-M 8MS/ 1,5-170/M 8FR-2L - Sensor/actuator cable

1538872

<https://www.phoenixcontact.com/us/products/1538872>

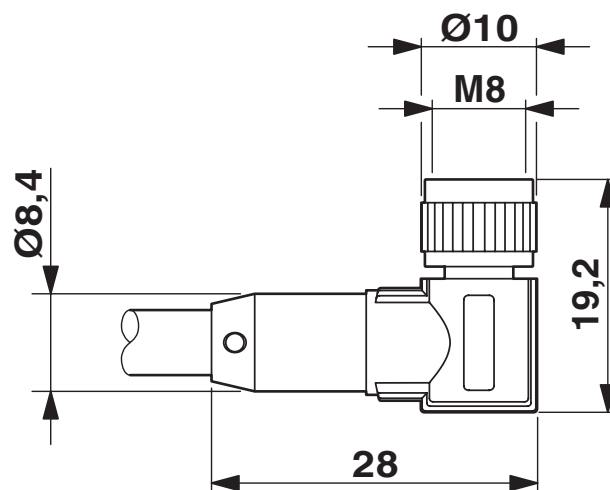
## Drawings

Dimensional drawing



M8 x 1 male plug, straight version

Dimensional drawing



Socket M8 x 1, angled

# SAC-3P-M 8MS/ 1,5-170/M 8FR-2L - Sensor/actuator cable

1538872

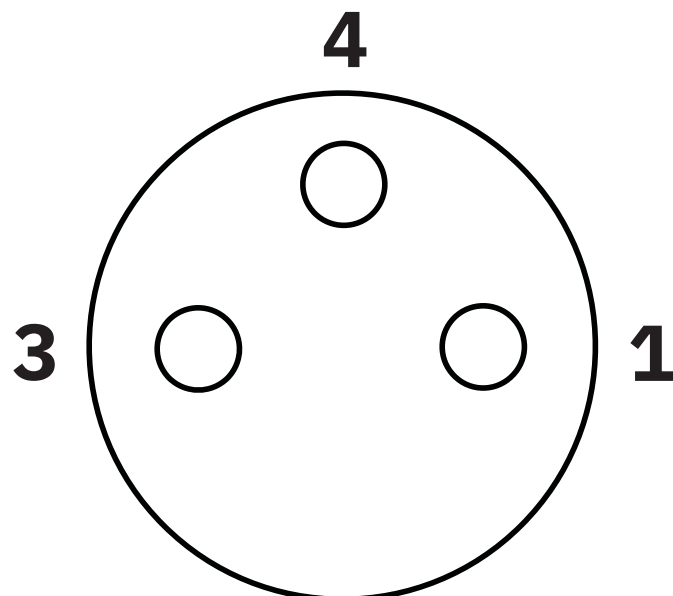
<https://www.phoenixcontact.com/us/products/1538872>

Schematic diagram



Pin assignment M8 plug, 3-pos., view male side

Schematic diagram



Pin assignment M8 socket, 3-pos., view female side

# SAC-3P-M 8MS/ 1,5-170/M 8FR-2L - Sensor/actuator cable

1538872

<https://www.phoenixcontact.com/us/products/1538872>

Schematic diagram



Layout of connector pin assignments

Circuit diagram



Contact assignment of M8 plugs/sockets

# SAC-3P-M 8MS/ 1,5-170/M 8FR-2L - Sensor/actuator cable



1538872

<https://www.phoenixcontact.com/us/products/1538872>

## Classifications

### ECLASS

ECLASS-13.0	27060311
ECLASS-15.0	27060311

# SAC-3P-M 8MS/ 1,5-170/M 8FR-2L - Sensor/actuator cable



1538872

<https://www.phoenixcontact.com/us/products/1538872>

## Environmental product compliance

### China RoHS

Environment friendly use period (EFUP)	EFUP-50
	An article-related China RoHS declaration table can be found in the download area for the respective article under "Manufacturer declaration". For all articles with EFUP-E, no China RoHS declaration table issued and required.

### EU REACH SVHC

REACH candidate substance (CAS No.)	No substance above 0.1 wt%
-------------------------------------	----------------------------

Phoenix Contact 2026 © - all rights reserved  
<https://www.phoenixcontact.com>

Phoenix Contact USA  
586 Fulling Mill Road  
Middletown, PA 17057, United States  
(+717) 944-1300  
[info@phoenixcon.com](mailto:info@phoenixcon.com)