

# TCP 10/12A - Thermal device circuit breaker



1538627

<https://www.phoenixcontact.com/us/products/1538627>

Please be informed that the data shown in this PDF document is generated from our online catalog. Please find the complete data in the user documentation. Our general terms of use for downloads are valid.



1-channel thermal device circuit breaker for protecting loads at 250 V AC / 72 V DC in the event of an overload. For installation on fuse terminal blocks and interfaces for flat plug-in fuse of type C according to standard ISO 8820-3. With fixed nominal current: 12 A

## Your advantages

- Fast, replacement part-free recommissioning after an event with the reconnection options
- Easy to retrofit in existing systems with vehicle flat-type fuses with identical pin connector pattern
- System disconnection for maintenance actions via the integrated device switch

## Commercial data

Item number	1538627
Packing unit	18 pc
Minimum order quantity	20 pc
Sales key	CL15
Product key	CLA111
GTIN	4067923010628
Weight per piece (including packing)	13.25 g
Weight per piece (excluding packing)	13.25 g
Customs tariff number	85362010
Country of origin	ID

# TCP 10/12A - Thermal device circuit breaker



1538627

<https://www.phoenixcontact.com/us/products/1538627>

## Technical data

### Product properties

Product type	Thermal device circuit breakers
Type	Male
Number of positions	1
No. of channels	1

### Insulation characteristics

Overvoltage category	II III (Actuation area)
Degree of pollution	2

### Electrical properties

Fuse type	Automatic device
Fuse	Slow-blow

### General

Rated voltage	250 V AC
	72 V DC
	250 V AC (UL/CSA)
	72 V DC (UL/CSA)
Rated current $I_N$	12 A
Rated surge voltage	2.5 kV
Insulation resistance $R_{iso}$	> 100 M $\Omega$ (500 V DC)
Tripping method	T (thermal)
Device resistance	0 $\Omega$
Rated short-circuit switching capacity $I_{cn}$	30 A (250 V AC)
	50 A (72 V DC)
Short-circuit switching capacity	2000 A (250 V AC / UL 1077)
	2000 A (72 V DC / UL 1077)
Dielectric strength	3000 V AC (Actuation area)
	1500 V AC (Installation area)
Switching cycles, max.	6000 (At 1 x $I_n$ , low-induction)
	3000 (At 1 x $I_n$ , inductive)
	40 (at 6 x $I_n$ , AC)
Contact switching type	Type C in accordance with ISO 8820-3

### Connection data

Connection method	pluggable
-------------------	-----------

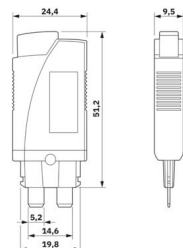
### Dimensions

# TCP 10/12A - Thermal device circuit breaker



1538627

<https://www.phoenixcontact.com/us/products/1538627>

Dimensional drawing	
Width	9.5 mm
Height	24.4 mm
Depth	44.5 mm

## Material specifications

Color	black (RAL 9005)
Flammability rating according to UL 94	V-0
Insulating material group	IIIb
Insulating material	PPS

## Mechanical properties

### Mechanical data

Open side panel	No
-----------------	----

## Environmental and real-life conditions

### Ambient conditions

Degree of protection	IP40 (Actuation area) IP00 (Connection area)
Ambient temperature (operation)	-20 °C ... 60 °C
Ambient temperature (storage/transport)	-40 °C ... 80 °C
Altitude	≤ 4000 m (amsl)
Humidity test	240 h, 95 % RH, 40 °C
Shock (operation)	25g (11 ms period, half-sine shock pulse, according to IEC 60068-2-27)
Vibration (operation)	± 0.38 mm (10 Hz ... 57 Hz) 5g (57 ... 500 Hz)

## Mounting

Mounting type	on base element
---------------	-----------------

# TCP 10/12A - Thermal device circuit breaker

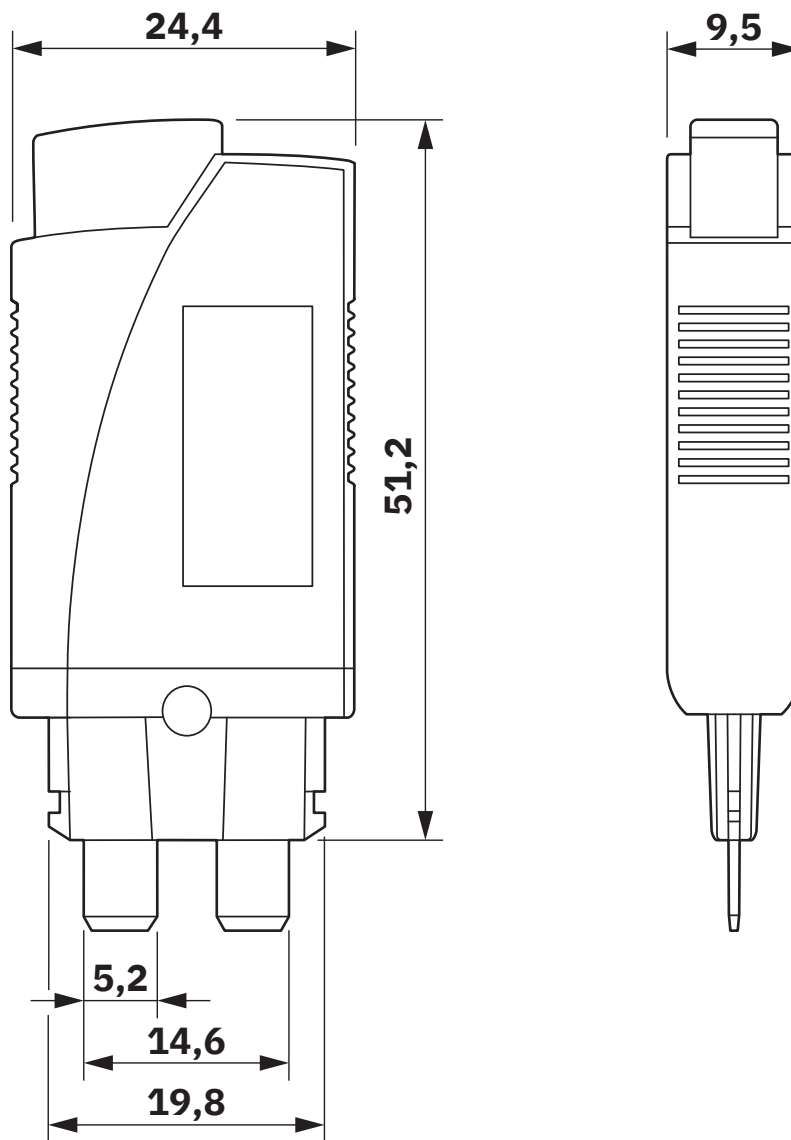
1538627

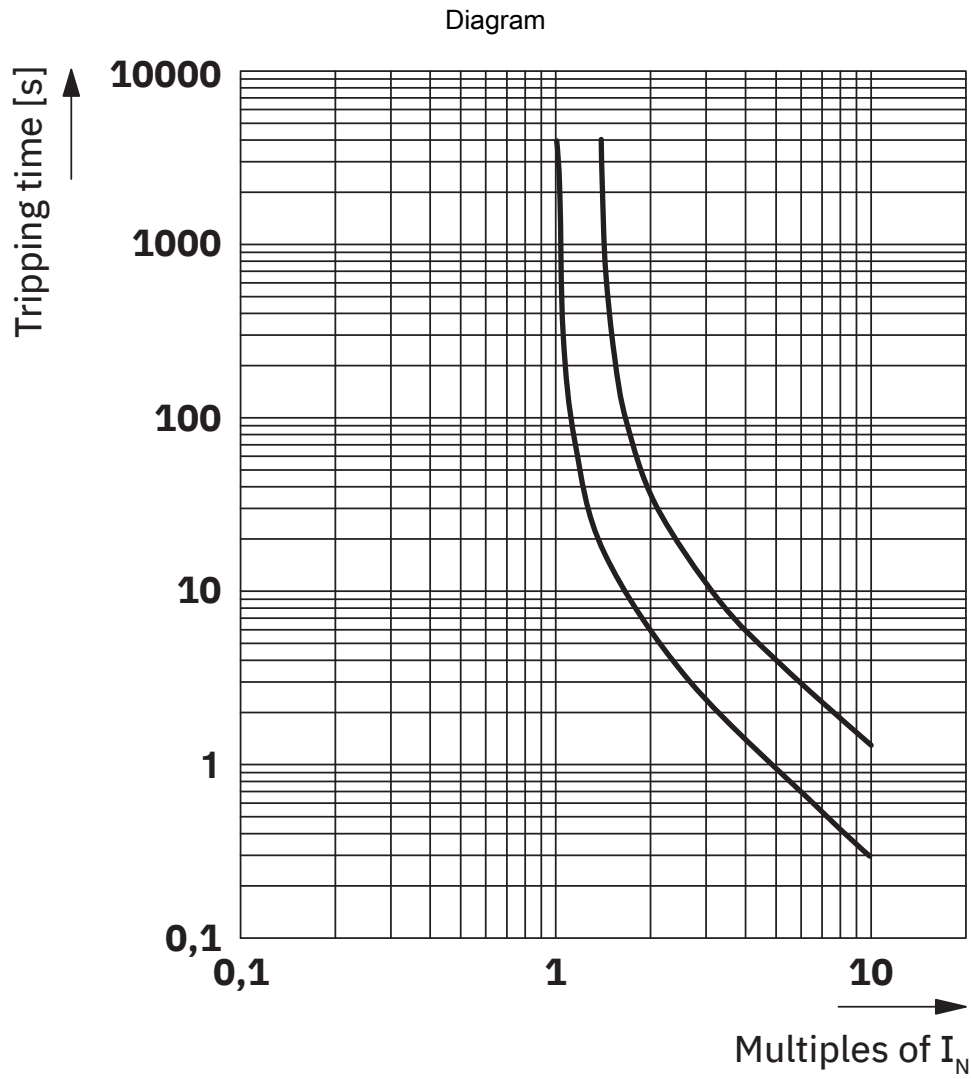
<https://www.phoenixcontact.com/us/products/1538627>



## Drawings

Dimensional drawing





Trigger characteristic

# TCP 10/12A - Thermal device circuit breaker



1538627

<https://www.phoenixcontact.com/us/products/1538627>

## Approvals

To download certificates, visit the product detail page: <https://www.phoenixcontact.com/us/products/1538627>



**cUL Recognized**  
Approval ID: FILE E 140459



**UL Recognized**  
Approval ID: FILE E 140459



**VDE approval of drawings**  
Approval ID: 40054613



**CSA**  
Approval ID: 80136839



**CCC**  
Approval ID: 2025010307749781

# TCP 10/12A - Thermal device circuit breaker



1538627

<https://www.phoenixcontact.com/us/products/1538627>

## Classifications

### ECLASS

ECLASS-13.0	27140401
ECLASS-15.0	27140401

### ETIM

ETIM 10.0	EC003538
-----------	----------

# TCP 10/12A - Thermal device circuit breaker



1538627

<https://www.phoenixcontact.com/us/products/1538627>

## Environmental product compliance

### EU RoHS

Fulfills EU RoHS substance requirements	Yes, No exemptions
---	--------------------

### China RoHS

Environment friendly use period (EFUP)	EFUP-E
	No hazardous substances above the limits

### EU REACH SVHC

REACH candidate substance (CAS No.)	No substance above 0.1 wt%
-------------------------------------	----------------------------

Phoenix Contact 2026 © - all rights reserved  
<https://www.phoenixcontact.com>

Phoenix Contact USA  
586 Fulling Mill Road  
Middletown, PA 17057, United States  
(+717) 944-1300  
[info@phoenixcon.com](mailto:info@phoenixcon.com)