

CHARX PT2C-DC375-8,0MES00P1 - DC charging cable



1538354

<https://www.phoenixcontact.com/us/products/1538354>

Please be informed that the data shown in this PDF document is generated from our online catalog. Please find the complete data in the user documentation. Our general terms of use for downloads are valid.



CHARX connect professional, CCS type 2, HPC DC charging cable, up to 500 A in Boost mode, 375 A permanent, 1000 V DC, with vehicle charging connector and open cable end, Functional prototype, cable: 8 m, black, straight, with four-wire measurement technology, with analog temperature sensors, with replaceable mating face frame, with replaceable DC power contacts, with connected PP contact, PHOENIX CONTACT logo, according to IEC 62196-3, for charging electric vehicles (EV) with direct current (DC)

Product description

DC charging cable with vehicle charging connector and free cable end for fast charging of electric vehicles (EV) with direct current (DC) via CCS type 2 vehicle charging inlets, for installation at charging stations for e-mobility (EVSE)

Your advantages

- Complete product range
- The right charging cable for every application, from the carport to the charging park
- Ultra-fast HPC charging with up to 375 kW without liquid cooling
- Robust and durable connector design for maximum availability
- Highest level of safety with two-chamber sealing system for the separation of DC+ and DC-
- Safe against overheating with temperature measurement at every DC power contact
- Prepared for four-wire measurement technology, enabling simple billing compliant with calibration laws
- Fast and cost-effective maintenance with exchangeable mating face including for the power contacts
- Available with your logo on request - for consistent branding of your charging station
- Developed and produced in accordance with the IATF 16949 automotive standard and ISO 9001

Commercial data

Item number	1538354
Packing unit	1 pc
Minimum order quantity	1 pc
Sales key	EM01
Product key	XWBMQG
GTIN	4067923009776
Weight per piece (including packing)	24,700 g
Weight per piece (excluding packing)	24,700 g
Customs tariff number	85444290
Country of origin	PL

CHARX PT2C-DC375-8,0MES00P1 - DC charging cable



1538354

<https://www.phoenixcontact.com/us/products/1538354>

Technical data

Product properties

Product type	DC charging cable
Product family	CHARX connect professional
Type	HPC DC charging cable with vehicle charging connector and open cable end Functional prototype
Design	with four-wire measurement technology with analog temperature sensors with replaceable mating face frame with replaceable DC power contacts with connected PP contact no liquid cooling
Charging standard	CCS type 2
Charging mode	Mode 4
Affixed logo	PHOENIX CONTACT logo

Electrical properties

Temperature monitoring	2x Pt 1000
------------------------	------------

Charging power and current (DC charging)

Type of charging current	DC
Charging current	375 A DC
Charging power	375 kW
Rated voltage	1000 V

Charging power and current (DC charging in Boost Mode)

Type of charging current	DC Boost Mode
Charging current	up to 500 A DC
Charging power	up to 500 kW
Rated voltage	1000 V
Note	The specifications refer to charging in Boost Mode and are dependent on ambient conditions. For further details, see the packing slip in the download area.

Pin assignment (Power contacts)

Note on the connection method	Crimp connection, cannot be disconnected
Number	3 (PE, DC+, DC-)
Rated voltage	1000 V DC
Rated current	375 A (up to 40 °C)

Pin assignment (Signal contacts)

Note on the connection method	Crimp connection, cannot be disconnected
Type of signal transmission	Pulse width modulation with modulated Powerline communication in accordance with ISO/IEC 15118 / DIN SPEC

CHARX PT2C-DC375-8,0MES00P1 - DC charging cable



1538354

<https://www.phoenixcontact.com/us/products/1538354>

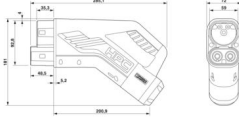
	70121
Number	2 (CP, PP)
Rated voltage	30 V AC
Rated current	2 A
Coding	1500 Ω (between PE and connected signal contact PP)

Temperature sensors (Pt 1000)

Sensor type	Pt 1000
Standards/regulations	DIN EN 60751
Attachment point	2 sensors for the DC contacts
Switch-off temperature	90 °C

Dimensions

Vehicle charging connector

Dimensional drawing	
Width	72 mm
Height	181.1 mm
Depth	285.3 mm

Material specifications

Color (Housing)	black (9005)
Color (Handle area)	black (9005)
Color (Mating face)	black (9005)
Color (Cable)	black (9005)
Material (Vehicle charging connector)	Plastic
Material (Cable outer sheath)	TPE-U
Material (Contact surface)	Silver
Note	The color appearance and gloss level of the charging cable may vary.
Flammability rating according to UL 94	V0 (Mating face)

Cable/line

Cable length	8 m ±50 mm
Wiring standards/regulations	IEC 62893-4-1
Cable weight	3360.00 kg/km
Cable type	Class 6
Cable type	straight
Cable structure	4 x 50 mm ² + 1 x 25 mm ² + 2 x 0.75 mm ² + 6 x 0.5 mm ²
External cable diameter	38.00 mm
Stripping length of the sheath	180 mm ±10 mm
Stripping length	180 mm ±10 mm

CHARX PT2C-DC375-8,0MES00P1 - DC charging cable



1538354

<https://www.phoenixcontact.com/us/products/1538354>

Cable resistance	$\leq 0.000355 \Omega/\text{m}$
Bending radius	380 mm \pm 1 mm (10 x D)

Mechanical properties

Mechanical data

Insertion/withdrawal cycles	> 10000
Insertion force	< 100 N
Withdrawal force	< 100 N

Environmental and real-life conditions

Ambient conditions

Degree of protection (Vehicle charging connector)	based on IP67 (20 cm water column)
Ambient temperature (operation)	-30 °C ... 40 °C max. 55 °C (Current reduction required, observe the DC contact temperature limit value of 90°C)
Ambient temperature (storage/transport)	-40 °C ... 80 °C
Altitude	max. 5000 m (above sea level)

Standards and regulations

Standards/specifications	according to IEC 62196-3
Note	Compliant with AFIR - EU 2025/656

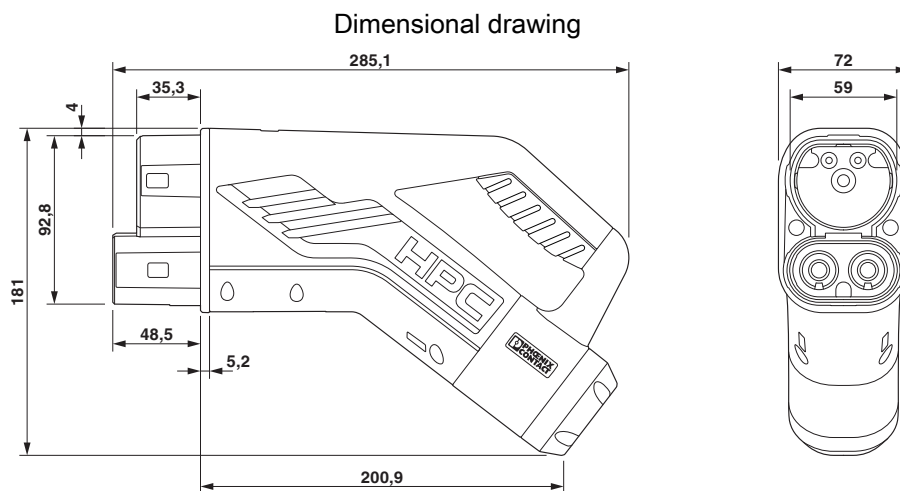
CHARX PT2C-DC375-8,0MES00P1 - DC charging cable



1538354

<https://www.phoenixcontact.com/us/products/1538354>

Drawings



CHARX PT2C-DC375-8,0MES00P1 - DC charging cable

1538354

<https://www.phoenixcontact.com/us/products/1538354>

Schematic diagram



Operating instructions

Schematic diagram



The Combined Charging System (CCS) principle - standard-compliant charging system for electric vehicles, which supports both conventional AC charging and fast DC charging. Both Vehicle Connectors fit into the CCS Vehicle Inlet.

CHARX PT2C-DC375-8,0MES00P1 - DC charging cable

1538354

<https://www.phoenixcontact.com/us/products/1538354>

Schematic diagram



Pin assignment of the Vehicle Connector

CHARX PT2C-DC375-8,0MES00P1 - DC charging cable

1538354

<https://www.phoenixcontact.com/us/products/1538354>

Schematic diagram



The resting position must be installed in the charging station such that the user cannot hang up the vehicle connector upside down (90° to 270°). However, positions rotated upward (45°) or downward (315°) are options for a resting position.

CHARX PT2C-DC375-8,0MES00P1 - DC charging cable




1538354

<https://www.phoenixcontact.com/us/products/1538354>

Approvals

To download certificates, visit the product detail page: <https://www.phoenixcontact.com/us/products/1538354>

 IECEE CB Scheme Approval ID: DE 3 - D0058		Nominal voltage U_N	Nominal current I_N	Cross section AWG	Cross section mm^2
keine					
		1000 V	375 A	-	-

CHARX PT2C-DC375-8,0MES00P1 - DC charging cable



1538354

<https://www.phoenixcontact.com/us/products/1538354>

Classifications

ECLASS

ECLASS-13.0	27144705
ECLASS-15.0	27144705

ETIM

ETIM 10.0	EC002897
-----------	----------

UNSPSC

UNSPSC 21.0	39121500
-------------	----------

CHARX PT2C-DC375-8,0MES00P1 - DC charging cable



1538354

<https://www.phoenixcontact.com/us/products/1538354>

Environmental product compliance

EU RoHS

Fulfills EU RoHS substance requirements	Yes, No exemptions
---	--------------------

China RoHS

Environment friendly use period (EFUP)	EFUP-E
	No hazardous substances above the limits

EU REACH SVHC

REACH candidate substance (CAS No.)	Dodecamethylcyclohexasiloxane(CAS: 540-97-6)
SCIP	332a32ff-1c71-482c-aa4b-8034dce3ce95

EF3.1 Climate Change

CO2e kg	154.8 kg CO2e
---------	---------------

Phoenix Contact 2026 © - all rights reserved

<https://www.phoenixcontact.com>

Phoenix Contact USA
586 Fulling Mill Road
Middletown, PA 17057, United States
(+717) 944-1300
info@phoenixcon.com