

# CHARX ET2CP-3AC32-7,5MES00P - AC charging cable



1536267

<https://www.phoenixcontact.com/us/products/1536267>

Please be informed that the data shown in this PDF document is generated from our online catalog. Please find the complete data in the user documentation. Our general terms of use for downloads are valid.



CHARX connect eco, Type 2, Mobile AC charging cable, 32 A permanent, 480 V AC, with vehicle charging connector and infrastructure charging plug, cable: 7.5 m, black, straight, with protective cap, PHOENIX CONTACT logo, IEC 62196-2, for charging electric vehicles (EV) with alternating current (AC), The protective cap included in the scope of delivery is plugged onto the vehicle charging connector for which protection is required by standard.

## Product description

Mobile AC charging cable with vehicle charging connector and infrastructure charging plug for charging electric vehicles (EV) with alternating current (AC) via type 2 vehicle charging inlets, compatible with type 2 infrastructure charging sockets at charging stations for e-mobility (EVSE)

## Your advantages

- Complete product range
- Convenient handling due to the ergonomic, triple award-winning design
- Available with your logo on request - for consistent branding of your charging station
- Longitudinal water tightness reliably prevents water ingress
- Developed and produced in accordance with the IATF 16949 automotive standard and ISO 9001
- Tested in accordance with automotive standards LV124, LV214, and LV215-2
- Tested in accordance with EV Ready 37 requirements
- Laser-marked mating face in accordance with DIN EN 17186

## Commercial data

Item number	1536267
Packing unit	2 pc
Minimum order quantity	80 pc
Product key	XWBELD
GTIN	4067923007963
Weight per piece (including packing)	2,536.8 g
Weight per piece (excluding packing)	2,536.8 g
Country of origin	DE

# CHARX ET2CP-3AC32-7,5MES00P - AC charging cable



1536267

<https://www.phoenixcontact.com/us/products/1536267>

## Technical data

### Product properties

Product type	AC charging cable
Product family	CHARX connect eco
Type	Mobile AC charging cable with vehicle charging connector and infrastructure charging plug
Design	with protective cap
Charging standard	Type 2
Charging mode	Mode 3, Case B
Affixed logo	PHOENIX CONTACT logo
Customer variations	On request

### Electrical properties

#### Charging power and current (AC charging, 3-phase)

Type of charging current	AC 3-phase
Charging current	32 A AC (3-phase)
Charging power	26.6 kW (3-phase)
Operating voltage	typ. 400 V AC

#### Pin assignment (Power contacts)

Note on the connection method	Crimp connection, cannot be disconnected
Number	5 (L1, L2, L3, N, PE)
Rated voltage	480 V AC
Rated current	32 A

#### Pin assignment (Signal contacts)

Note on the connection method	Crimp connection, cannot be disconnected
Type of signal transmission	Pulse width modulation
Number	2 (CP, PP)
Rated voltage	30 V AC
Rated current	2 A
Coding	220 $\Omega$ (between PE and PP)

### Dimensions

#### Infrastructure charging plug

Width	57 mm
Height	77.5 mm
Depth	193.3 mm

#### Vehicle charging connector

# CHARX ET2CP-3AC32-7,5MES00P - AC charging cable



1536267

<https://www.phoenixcontact.com/us/products/1536267>

Dimensional drawing	 Vehicle connector
Width	70.4 mm
Height	82.3 mm
Depth	201.8 mm

## Material specifications

Color (Housing)	black (9005)
Color (Handle area)	black (9005)
Color (Mating face)	black (9005)
Color (Protective cap)	black (9005)
Color (Cable)	black (9005)
Material (Vehicle charging connector)	Plastic
Material (Cable outer sheath)	TPE-U
Material (Contact surface)	Silver
Note	The color appearance and gloss level of the charging cable may vary.

## Cable/line

Cable length	7.5 m
Cable weight	max. 374.00 kg/km
Cable type	straight
Cable structure	5 x 4.0 mm <sup>2</sup> + 1 x 0.5 mm <sup>2</sup>
External cable diameter	14.20 mm ±0.3 mm
Outer sheath, material	TPE-U
Cable resistance	≤ 0.00425 Ω/m (based on a power core, at an ambient temperature of 20°C)
Bending radius	min. 113.6 mm (8x diameter)

## Mechanical properties

### Mechanical data

Insertion/withdrawal cycles	> 10000
Insertion force	< 100 N
Withdrawal force	< 100 N

## Environmental and real-life conditions

### Ambient conditions

Degree of protection (Vehicle charging connector)	IP44 (plugged in; when plugged in and ready to operate, the degree of protection is only ensued if both plug-in components are original products from Phoenix Contact or suitable standard-compliant products)
---------------------------------------------------	----------------------------------------------------------------------------------------------------------------------------------------------------------------------------------------------------------------

# CHARX ET2CP-3AC32-7,5MES00P - AC charging cable



1536267

<https://www.phoenixcontact.com/us/products/1536267>

Degree of protection (Infrastructure charging plug)	IP44 (plugged in; when plugged in and ready to operate, the degree of protection is only ensued if both plug-in components are original products from Phoenix Contact or suitable standard-compliant products)
Degree of protection (Protective cap)	IP54
Ambient temperature (operation)	-40 °C ... 50 °C
Ambient temperature (storage/transport)	-40 °C ... 80 °C
Altitude	max. 5000 m (above sea level)

## Standards and regulations

Standards/specifications	IEC 62196-2
Note	Compliant with AFIR - EU 2025/656

# CHARX ET2CP-3AC32-7,5MES00P - AC charging cable

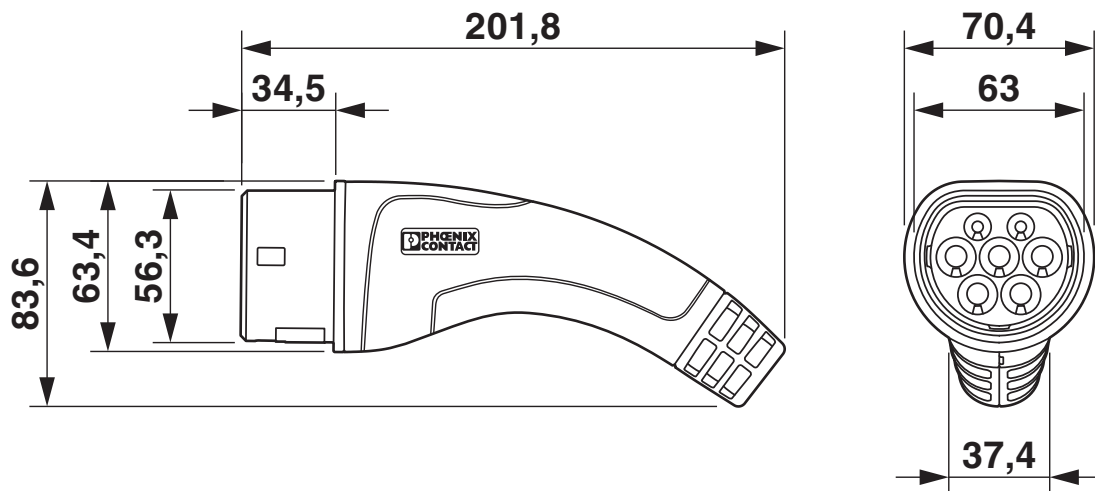


1536267

<https://www.phoenixcontact.com/us/products/1536267>

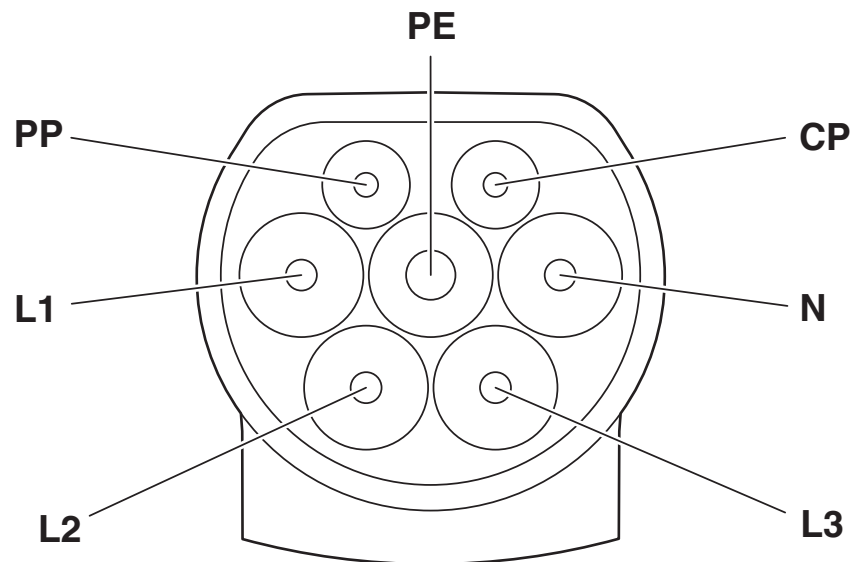
## Drawings

Dimensional drawing



Vehicle connector

Connection diagram



Pin assignment of Infrastructure Plug

# CHARX ET2CP-3AC32-7,5MES00P - AC charging cable

1536267

<https://www.phoenixcontact.com/us/products/1536267>

Schematic diagram



Operating instructions

# CHARX ET2CP-3AC32-7,5MES00P - AC charging cable

1536267

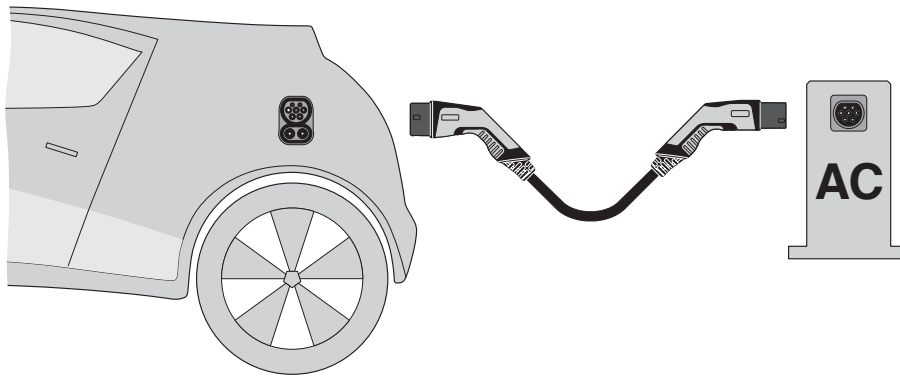
<https://www.phoenixcontact.com/us/products/1536267>

Schematic diagram



Pin assignment of the Vehicle Connector

Schematic diagram



Terminology definition

# CHARX ET2CP-3AC32-7,5MES00P - AC charging cable




1536267

<https://www.phoenixcontact.com/us/products/1536267>

## Approvals

To download certificates, visit the product detail page: <https://www.phoenixcontact.com/us/products/1536267>

 <b>IECEE CB Scheme</b> Approval ID: DE 3 - D0057		Nominal voltage $U_N$	Nominal current $I_N$	Cross section AWG	Cross section $\text{mm}^2$
keine		480 V	32 A	-	-

# CHARX ET2CP-3AC32-7,5MES00P - AC charging cable



1536267

<https://www.phoenixcontact.com/us/products/1536267>

## Classifications

### ECLASS

ECLASS-13.0	27144705
ECLASS-15.0	27144705

### ETIM

ETIM 10.0	EC002897
-----------	----------

### UNSPSC

UNSPSC 21.0	39121500
-------------	----------

# CHARX ET2CP-3AC32-7,5MES00P - AC charging cable



1536267

<https://www.phoenixcontact.com/us/products/1536267>

## Environmental product compliance

### EU RoHS

Fulfills EU RoHS substance requirements	Yes
Exemption	6(c)

### China RoHS

Environment friendly use period (EFUP)	EFUP-50
	An article-related China RoHS declaration table can be found in the download area for the respective article under "Manufacturer declaration". For all articles with EFUP-E, no China RoHS declaration table issued and required.

### EU REACH SVHC

REACH candidate substance (CAS No.)	Lead(CAS: 7439-92-1)
SCIP	02f44220-e817-4008-bba4-b8b21ae1c40f

### EF3.1 Climate Change

CO2e kg	48.23 kg CO2e
---------	---------------

Phoenix Contact 2026 © - all rights reserved  
<https://www.phoenixcontact.com>

Phoenix Contact USA  
586 Fulling Mill Road  
Middletown, PA 17057, United States  
(+717) 944-1300  
[info@phoenixcon.com](mailto:info@phoenixcon.com)