

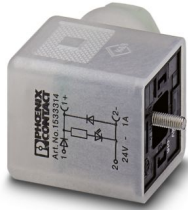
SACC-V-3CON-PG9/A-PFL 12/24 - Valve connector



1533314

<https://www.phoenixcontact.com/us/products/1533314>

Please be informed that the data shown in this PDF document is generated from our online catalog. Please find the complete data in the user documentation. Our general terms of use for downloads are valid.



Valve connector, Universal, 3-position, Valve connector A, Screw connection, cable gland Pg9, external cable diameter 6 mm ... 8 mm

Commercial data

| | |
|--------------------------------------|---------------|
| Item number | 1533314 |
| Packing unit | 1 pc |
| Minimum order quantity | 1 pc |
| Sales key | BF36 |
| Product key | AF2DAA |
| GTIN | 4046356026000 |
| Weight per piece (including packing) | 30.3 g |
| Weight per piece (excluding packing) | 30.3 g |
| Customs tariff number | 85366990 |
| Country of origin | HU |

1533314

<https://www.phoenixcontact.com/us/products/1533314>

Technical data

Notes

| | |
|---------------|---|
| Assembly note | NOTE: Observe the permissible bending radii when routing cables, since the degree of protection may be at risk if the bending forces are too high. Reduce mechanical loads upstream of the connector, e.g., by using cable ties. |
|---------------|---|

Product properties

| | |
|----------------------|------------------|
| Product type | Valve connectors |
| Sensor type | Universal |
| Number of positions | 3 |
| No. of cable outlets | 1 |
| Shielded | no |
| Pg screw connection | Pg9 |

Insulation characteristics

| | |
|----------------------|----|
| Overvoltage category | II |
| Degree of pollution | 3 |

Material specifications

| | |
|--|------|
| Flammability rating according to UL 94 | HB |
| Seal material | NBR |
| Material housing valve plug | PA 6 |
| Contact material | CuSn |
| Valve plug contact insert material | PA 6 |
| Contact surface material | Ni |

Dimensions

External dimensions

| | |
|------------------|---------------|
| Outside diameter | 6 mm ... 8 mm |
|------------------|---------------|

Electrical properties

| | |
|-----------------------|--------------------------------------|
| Contact resistance | ≤ 15 mΩ |
| Insulation resistance | > 100 MΩ |
| Nominal voltage U_N | 24 V AC |
| | 24 V DC |
| Nominal current I_N | 1 A |
| Protective circuit | Surge protection; Freewheeling diode |

Mechanical properties

Mechanical data

| | |
|-----------------------------|----------------------|
| Insertion/withdrawal cycles | 50 (Valve connector) |
|-----------------------------|----------------------|

SACC-V-3CON-PG9/A-PFL 12/24 - Valve connector



1533314

<https://www.phoenixcontact.com/us/products/1533314>

Signaling

| | |
|------------------------|-------|
| Status display | 1 LED |
| Status display present | yes |

Connection data

| | |
|------------------------------|--|
| Connection method | Screw connection |
| Conductor cross-section | 0.34 mm ² ... 1.5 mm ² |
| Connection cross section AWG | 22 ... 16 |

Connector

Connection 1

| | |
|------------------|-----------------|
| Head design | Valve connector |
| Head thread type | A |

Environmental and real-life conditions

Ambient conditions

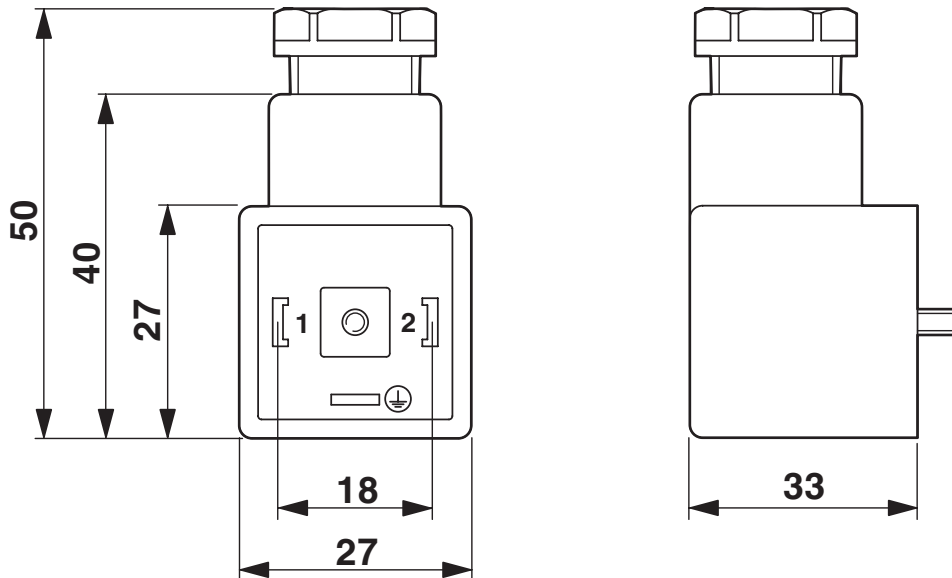
| | |
|---|------------------------------------|
| Degree of protection | IP65 |
| Ambient temperature (operation) (male connector/female connector) | -25 °C ... 85 °C (Valve connector) |

1533314

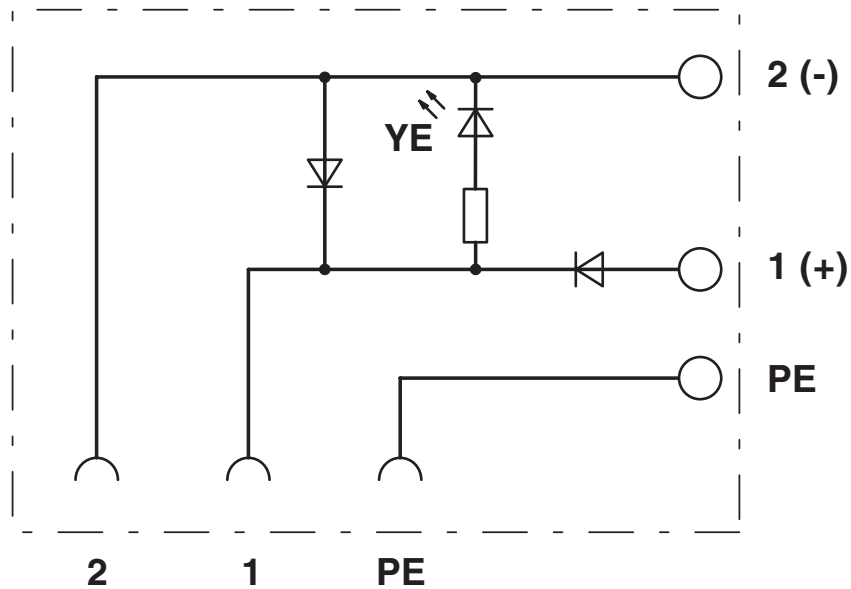
<https://www.phoenixcontact.com/us/products/1533314>

Drawings

Dimensional drawing



Circuit diagram



1533314

<https://www.phoenixcontact.com/us/products/1533314>

Classifications

ECLASS

| | |
|-------------|----------|
| ECLASS-13.0 | 27440105 |
| ECLASS-15.0 | 27440105 |

ETIM

| | |
|-----------|----------|
| ETIM 10.0 | EC003623 |
|-----------|----------|

UNSPSC

| | |
|-------------|----------|
| UNSPSC 21.0 | 31251500 |
|-------------|----------|

1533314

<https://www.phoenixcontact.com/us/products/1533314>

Environmental product compliance

EU RoHS

| | |
|---|------|
| Fulfills EU RoHS substance requirements | Yes |
| Exemption | 6(c) |

China RoHS

| | |
|--|---|
| Environment friendly use period (EFUP) | EFUP-50 |
| | An article-related China RoHS declaration table can be found in the download area for the respective article under "Manufacturer declaration". For all articles with EFUP-E, no China RoHS declaration table issued and required. |

EU REACH SVHC

| | |
|-------------------------------------|--------------------------------------|
| REACH candidate substance (CAS No.) | Lead(CAS: 7439-92-1) |
| SCIP | 470f6ed1-4ef6-4eb4-ab0d-03d2a339c325 |

EF3.1 Climate Change

| | |
|---------|---------------|
| CO2e kg | 1.496 kg CO2e |
|---------|---------------|

Phoenix Contact 2026 © - all rights reserved
<https://www.phoenixcontact.com>

Phoenix Contact USA
 586 Fulling Mill Road
 Middletown, PA 17057, United States
 (+717) 944-1300
info@phoenixcon.com