

# PROT-M5 - Screw plug

1533288

<https://www.phoenixcontact.com/us/products/1533288>

Please be informed that the data shown in this PDF document is generated from our online catalog. Please find the complete data in the user documentation. Our general terms of use for downloads are valid.



An M5 screw plug for the unoccupied M5 sockets of the sensor/actuator cable, boxes and flush-type connectors

## Commercial data

Item number	1533288
Packing unit	1 pc
Note	Made to order (non-returnable)
Sales key	BF45
Product key	AF3ZAX
GTIN	4017918993528
Weight per piece (including packing)	0.3 g
Weight per piece (excluding packing)	0.3 g
Customs tariff number	39269097
Country of origin	DE

# PROT-M5 - Screw plug



1533288

<https://www.phoenixcontact.com/us/products/1533288>

## Technical data

### Product properties

Product type	Plug for cable screw gland
Application	Sensor/actuator box
Thread type	M5

### Material specifications

Material	PA
----------	----

### Environmental and real-life conditions

#### Ambient conditions

Degree of protection	IP65
	IP67

# PROT-M5 - Screw plug

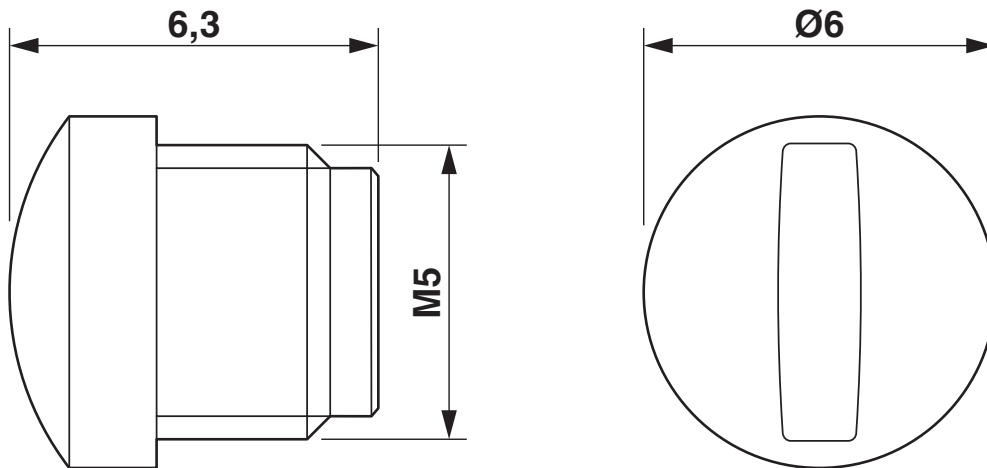
1533288

<https://www.phoenixcontact.com/us/products/1533288>



## Drawings

Dimensional drawing



# PROT-M5 - Screw plug



1533288

<https://www.phoenixcontact.com/us/products/1533288>

## Environmental product compliance

### EU RoHS

Fulfills EU RoHS substance requirements	Yes, No exemptions
---	--------------------

### China RoHS

Environment friendly use period (EFUP)	EFUP-50
	An article-related China RoHS declaration table can be found in the download area for the respective article under "Manufacturer declaration". For all articles with EFUP-E, no China RoHS declaration table issued and required.

### EU REACH SVHC

REACH candidate substance (CAS No.)	No substance above 0.1 wt%
-------------------------------------	----------------------------

Phoenix Contact 2026 © - all rights reserved  
<https://www.phoenixcontact.com>

Phoenix Contact USA  
586 Fulling Mill Road  
Middletown, PA 17057, United States  
(+717) 944-1300  
[info@phoenixcon.com](mailto:info@phoenixcon.com)