

# SACC-CI-M12FS-5CON - Contact carrier



1528536

<https://www.phoenixcontact.com/us/products/1528536>

Please be informed that the data shown in this PDF document is generated from our online catalog. Please find the complete data in the user documentation. Our general terms of use for downloads are valid.



Sensor/actuator flush-type socket, 5-pos., M12 contact carrier, A-coded, with straight solder connection

## Commercial data

Item number	1528536
Packing unit	100 pc
Minimum order quantity	100 pc
Sales key	BF45
Product key	AF3UBX
GTIN	4046356023443
Weight per piece (including packing)	1.36 g
Weight per piece (excluding packing)	1.22 g
Customs tariff number	85366990
Country of origin	DE

1528536

<https://www.phoenixcontact.com/us/products/1528536>

## Technical data

### Product properties

Product type	Contact insert
Number of positions	5
Coding	A
Thread type	M12

### Insulation characteristics

Degree of pollution	3
---------------------	---

### Electrical properties

Contact resistance	$\leq 0.003 \Omega$
Nominal voltage $U_N$	60 V
Nominal current $I_N$	4 A

### Connection data

Connection method	Wave soldering
-------------------	----------------

### Signaling

Status display	no
Status display present	no

### Material specifications

Seal material	FKM
Contact material	CuZn
Contact surface material	Au

### Connector

#### Connection 1

Head design	Socket
Head cable outlet	straight
Head thread type	M12
Coding	A

### Environmental and real-life conditions

#### Ambient conditions

Degree of protection	IP67
Ambient temperature (operation)	-25 °C ... 85 °C

### Mounting

Mounting type	PCB mounting
---------------	--------------

# SACC-CI-M12FS-5CON - Contact carrier

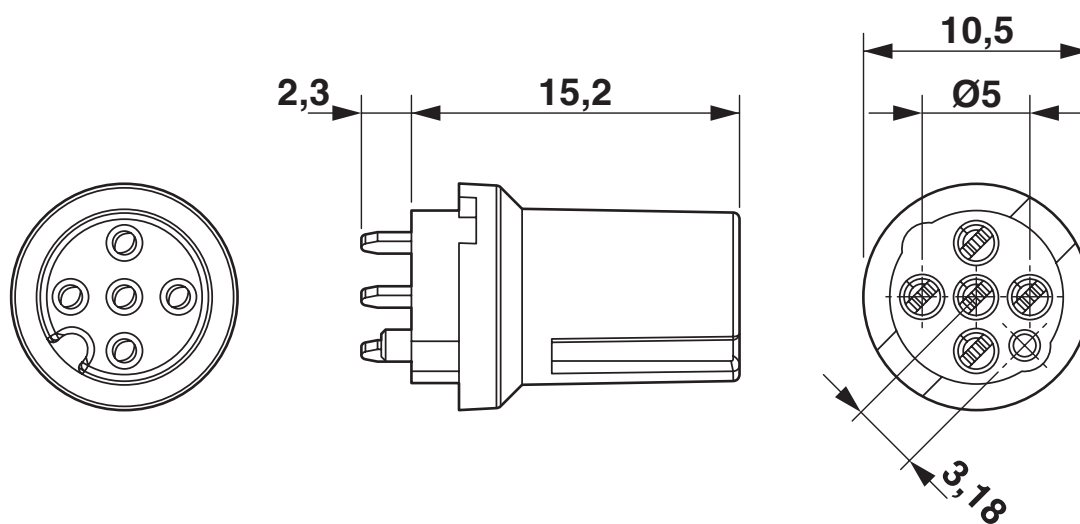
1528536

<https://www.phoenixcontact.com/us/products/1528536>



## Drawings

Dimensional drawing

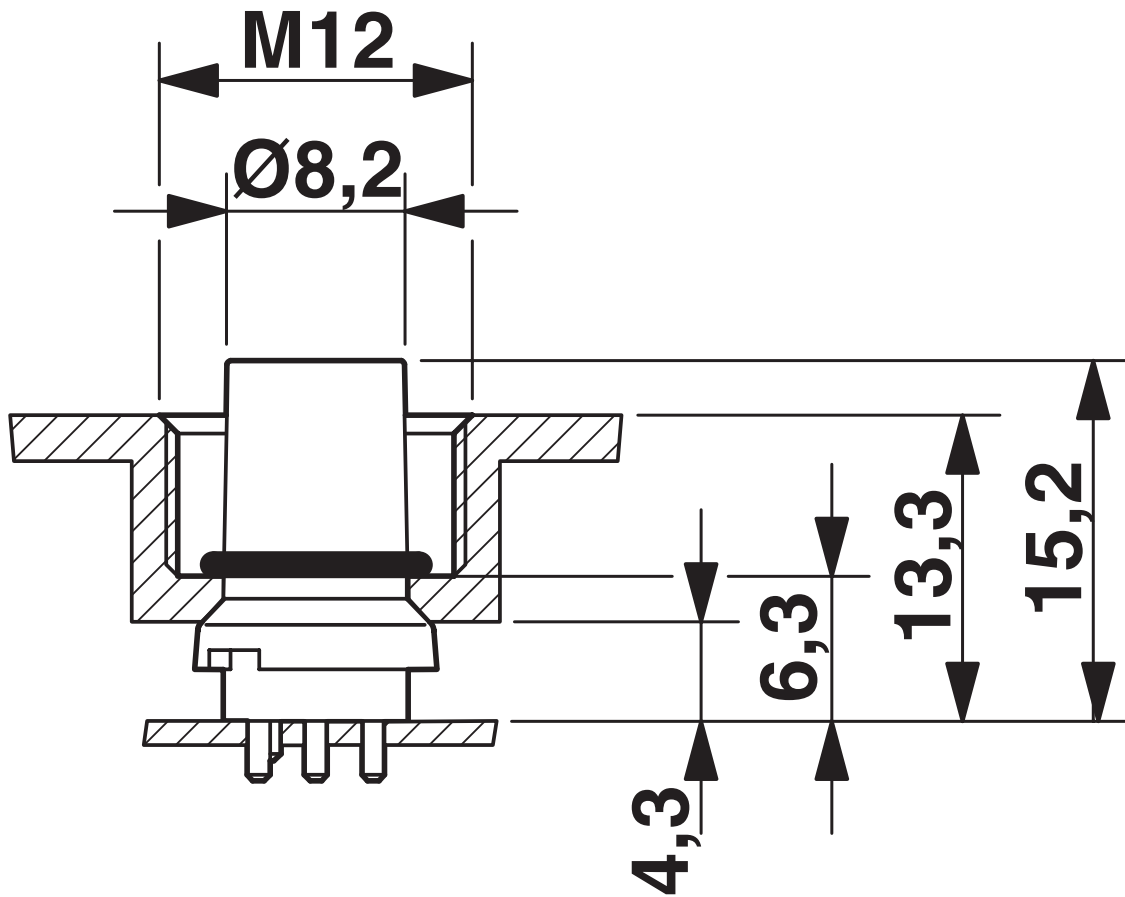


# SACC-CI-M12FS-5CON - Contact carrier

1528536

<https://www.phoenixcontact.com/us/products/1528536>

Dimensional drawing



Installation diagram

# SACC-CI-M12FS-5CON - Contact carrier

1528536

<https://www.phoenixcontact.com/us/products/1528536>

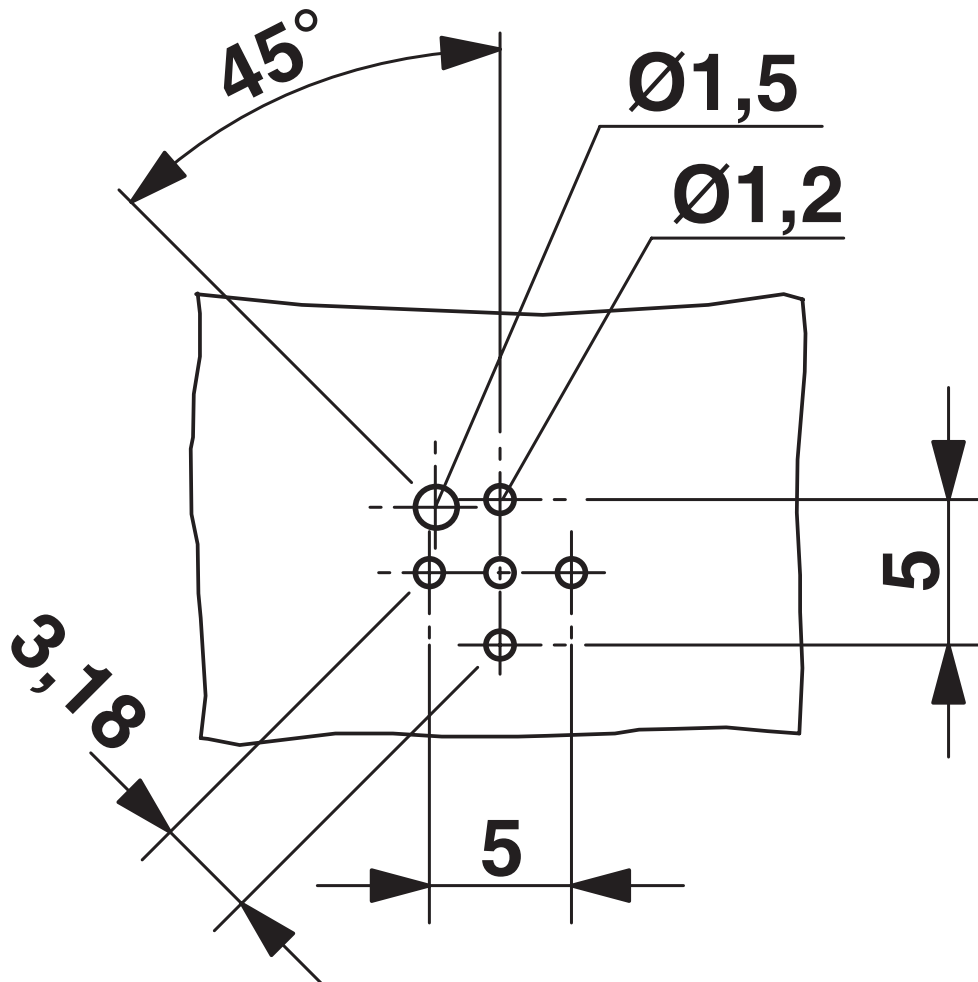


Schematic diagram



Pin assignment M12 socket, 5-pos., A-coded, socket side view

Drilling plan/solder pad geometry



# SACC-CI-M12FS-5CON - Contact carrier





1528536

<https://www.phoenixcontact.com/us/products/1528536>

## Approvals

To download certificates, visit the product detail page: <https://www.phoenixcontact.com/us/products/1528536>

 <b>cUL Recognized</b> Approval ID: E118976				
	Nominal voltage $U_N$	Nominal current $I_N$	Cross section AWG	Cross section $\text{mm}^2$
keine				
	60 V	4 A	-	-

 <b>UL Recognized</b> Approval ID: E118976				
	Nominal voltage $U_N$	Nominal current $I_N$	Cross section AWG	Cross section $\text{mm}^2$
keine				
	60 V	4 A	-	-

# SACC-CI-M12FS-5CON - Contact carrier



1528536

<https://www.phoenixcontact.com/us/products/1528536>

## Classifications

### ECLASS

ECLASS-13.0	27440110
ECLASS-15.0	27440110

### ETIM

ETIM 10.0	EC003568
-----------	----------

### UNSPSC

UNSPSC 21.0	39121400
-------------	----------

# SACC-CI-M12FS-5CON - Contact carrier



1528536

<https://www.phoenixcontact.com/us/products/1528536>

## Environmental product compliance

### EU RoHS

Fulfills EU RoHS substance requirements	Yes, No exemptions
-----------------------------------------	--------------------

### China RoHS

Environment friendly use period (EFUP)	EFUP-E
	No hazardous substances above the limits

### EU REACH SVHC

REACH candidate substance (CAS No.)	No substance above 0.1 wt%
-------------------------------------	----------------------------

Phoenix Contact 2026 © - all rights reserved  
<https://www.phoenixcontact.com>

Phoenix Contact USA  
586 Fulling Mill Road  
Middletown, PA 17057, United States  
(+717) 944-1300  
[info@phoenixcon.com](mailto:info@phoenixcon.com)