

SAC-3P-10,0-PVC/M 8FR BK - Sensor/actuator cable



1527773

<https://www.phoenixcontact.com/us/products/1527773>

Please be informed that the data shown in this PDF document is generated from our online catalog. Please find the complete data in the user documentation. Our general terms of use for downloads are valid.



Sensor/actuator cable, 3-position, PVC, black RAL 9005, free cable end, on Socket angled M8, coding: A, cable length: 10 m

The figure shows the standard type

Commercial data

Item number	1527773
Packing unit	5 pc
Minimum order quantity	1 pc
Note	Made to order (non-returnable)
Product key	AF1BBA
GTIN	4017918959081
Weight per piece (including packing)	262.78 g
Weight per piece (excluding packing)	240.68 g
Country of origin	DE

1527773

<https://www.phoenixcontact.com/us/products/1527773>

Technical data

Product properties

Product type	Sensor/actuator cable
Number of positions	3
No. of cable outlets	1
Shielded	no
Coding	A

Insulation characteristics

Overvoltage category	II
Degree of pollution	3

Material specifications

Flammability rating according to UL 94	HB
Seal material	NBR
Material of grip body	TPU, hardly inflammable, self-extinguishing
Contact material	CuSn
Contact surface material	Ni/Au
Contact carrier material	TPU GF
Material for screw connection	Zinc die-cast, nickel-plated

Electrical properties

Insulation resistance	≥ 100 MΩ
Nominal voltage U _N	48 V AC
	60 V DC
Nominal current I _N	4 A

Signaling

Status display	no
Status display present	no

Connector

Connection 1

Type	free cable end
------	----------------

Connection 2

Type	Socket angled M8
Number of positions	3
Coding type	A

Cable/line

Cable length	10 m
--------------	------

PVC black [PVC]

SAC-3P-10,0-PVC/M 8FR BK - Sensor/actuator cable



1527773

<https://www.phoenixcontact.com/us/products/1527773>

Dimensional drawing	
Cable weight	29 kg/km
Number of positions	3
Shielded	no
Cable type	PVC black [PVC]
Conductor structure signal line	32x 0.10 mm
AWG signal line	24
Conductor cross-section	3x 0.25 mm ² (Signal line)
Wire diameter incl. insulation	1.25 mm ±0.02 mm
External cable diameter	4.40 mm ±0.15 mm
Outer sheath, material	PVC
External sheath, color	black RAL 9005
Conductor material	Bare Cu litz wires
Material wire insulation	PVC
Single wire, color	brown, blue, black
Thickness, insulation	≥ 0.23 mm (Core insulation)
Thickness, outer sheath	≥ 0.76 mm
Overall twist	3 wires, twisted
Max. conductor resistance	max. 78 Ω/km (at 20 °C)
Insulation resistance	≥ 100 MΩ*km (at 20 °C)
Nominal voltage, cable	≥ 300 V
Test voltage	≤ 3000 V
Flame resistance	As per UL-Style 2464
Ambient temperature (operation)	-25 °C ... 80 °C (cable, fixed installation) -5 °C ... 80 °C (Cable, flexible installation)

Environmental and real-life conditions

Ambient conditions

Degree of protection	IP65
	IP67
	IP68
Ambient temperature (operation)	-25 °C ... 90 °C (Plug / socket)
	-25 °C ... 80 °C (cable, fixed installation)
	-5 °C ... 80 °C (Cable, flexible installation)

SAC-3P-10,0-PVC/M 8FR BK - Sensor/actuator cable

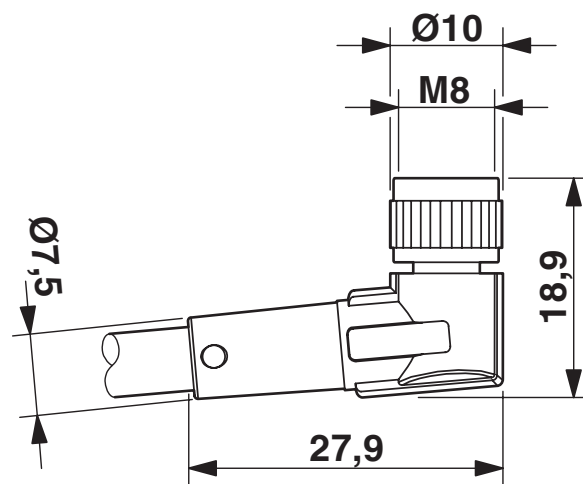
1527773

<https://www.phoenixcontact.com/us/products/1527773>



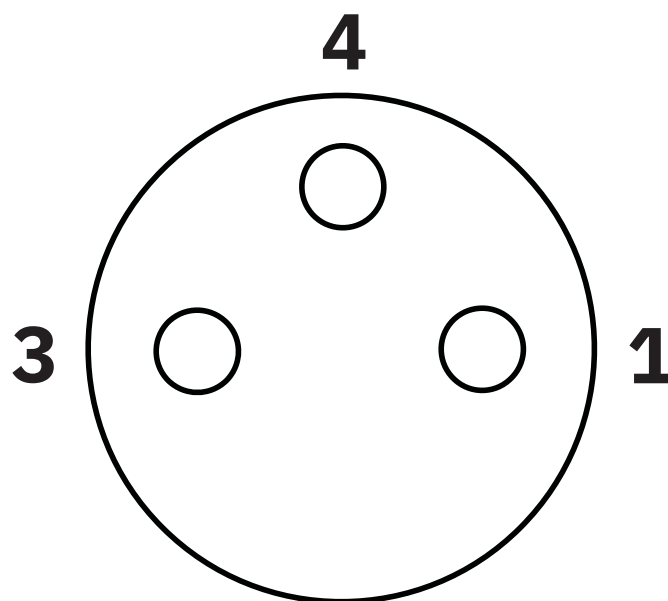
Drawings

Dimensional drawing



Socket M8 x 1, angled

Schematic diagram



Pin assignment M8 socket, 3-pos., view female side

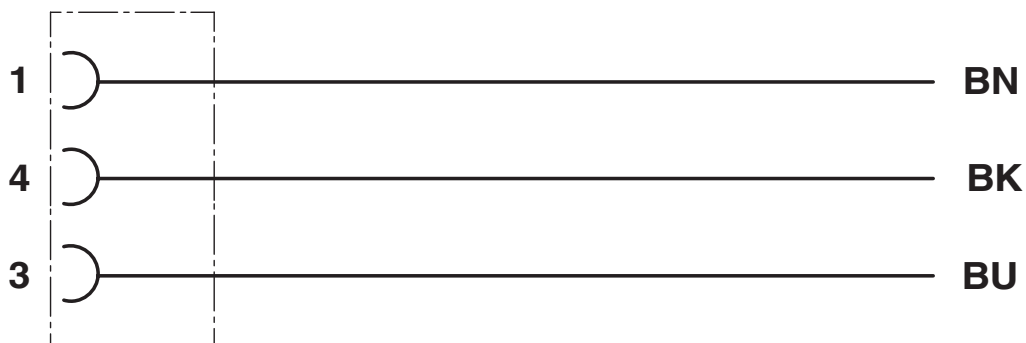
SAC-3P-10,0-PVC/M 8FR BK - Sensor/actuator cable



1527773

<https://www.phoenixcontact.com/us/products/1527773>

Circuit diagram



Contact assignment of M8 socket

SAC-3P-10,0-PVC/M 8FR BK - Sensor/actuator cable



1527773

<https://www.phoenixcontact.com/us/products/1527773>

Approvals

To download certificates, visit the product detail page: <https://www.phoenixcontact.com/us/products/1527773>

 UL Listed Approval ID: FILE E 221474				
	Nominal voltage U_N	Nominal current I_N	Cross section AWG	Cross section mm^2
keine				
	60 V	4 A	-	-

 cUL Listed Approval ID: FILE E 221474				
	Nominal voltage U_N	Nominal current I_N	Cross section AWG	Cross section mm^2
keine				
	60 V	4 A	-	-

 EAC-RoHS Approval ID: RU D-DE.HB35.B.00387	
--	--

SAC-3P-10,0-PVC/M 8FR BK - Sensor/actuator cable



1527773

<https://www.phoenixcontact.com/us/products/1527773>

Classifications

ECLASS

ECLASS-13.0	27060311
ECLASS-15.0	27060311

ETIM

ETIM 10.0	EC001855
-----------	----------

UNSPSC

UNSPSC 21.0	26121600
-------------	----------

SAC-3P-10,0-PVC/M 8FR BK - Sensor/actuator cable



1527773

<https://www.phoenixcontact.com/us/products/1527773>

Environmental product compliance

EU RoHS

Fulfills EU RoHS substance requirements	Yes, No exemptions
---	--------------------

China RoHS

Environment friendly use period (EFUP)	EFUP-E
	No hazardous substances above the limits

EU REACH SVHC

REACH candidate substance (CAS No.)	No substance above 0.1 wt%
-------------------------------------	----------------------------

EF3.1 Climate Change

CO2e kg	2.824 kg CO2e
---------	---------------

Phoenix Contact 2026 © - all rights reserved
<https://www.phoenixcontact.com>

Phoenix Contact USA
586 Fulling Mill Road
Middletown, PA 17057, United States
(+717) 944-1300
info@phoenixcon.com