

SAC-3P-M12MS/ 3,0-140/B-1L-S - Sensor/actuator cable



1526677

<https://www.phoenixcontact.com/us/products/1526677>

Please be informed that the data shown in this PDF document is generated from our online catalog. Please find the complete data in the user documentation. Our general terms of use for downloads are valid.



Sensor/actuator cable, 3-position, PUR/PVC, yellow, Plug straight M12, coding: A, on Valve connector B (10 mm), with 1 LED, Wiring: Z diode, cable length: 3 m

Commercial data

| | |
|--------------------------------------|--------------------------------|
| Item number | 1526677 |
| Packing unit | 1 pc |
| Note | Made to order (non-returnable) |
| Sales key | NULL |
| Product key | AF1DLA |
| GTIN | 4046356022927 |
| Weight per piece (including packing) | 220 g |
| Weight per piece (excluding packing) | 220 g |
| Customs tariff number | 85444290 |
| Country of origin | DE |

SAC-3P-M12MS/ 3,0-140/B-1L-S - Sensor/actuator cable



1526677

<https://www.phoenixcontact.com/us/products/1526677>

Technical data

Product properties

| | |
|----------------------|--|
| Product type | Sensor/actuator cable with valve connector |
| Number of positions | 3 |
| No. of cable outlets | 1 |
| Shielded | no |
| Coding | A |

Insulation characteristics

| | |
|----------------------|----|
| Overvoltage category | II |
| Degree of pollution | 3 |

Material specifications

| | |
|--|---|
| Flammability rating according to UL 94 | HB |
| Seal material | TPU |
| Material housing valve plug | PBT |
| Material of grip body | TPU, hardly inflammable, self-extinguishing |
| Contact material | CuSn |
| Contact surface material | Ni/Au |
| Contact carrier material | TPU GF |
| Contact material | CuSn |
| Valve plug contact insert material | PBT |
| Contact surface material | Ag |
| Material for screw connection | Zinc die-cast, nickel-plated |

Electrical properties

| | |
|-----------------------|----------------------------|
| Insulation resistance | $\geq 100 \text{ M}\Omega$ |
| Nominal voltage U_N | 24 V |
| Nominal current I_N | 4 A |

Mechanical properties

Mechanical data

| | |
|-----------------------------|------------|
| Insertion/withdrawal cycles | ≥ 100 |
|-----------------------------|------------|

Signaling

| | |
|------------------------|-------|
| Status display | 1 LED |
| Status display present | yes |

Connector

Connection 1

| | |
|-------------|-------------------|
| Type | Plug straight M12 |
| Coding type | A |

SAC-3P-M12MS/ 3,0-140/B-1L-S - Sensor/actuator cable



1526677

<https://www.phoenixcontact.com/us/products/1526677>

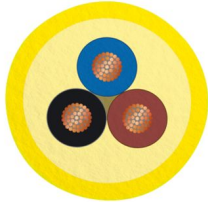
Connection 2

| | |
|--------------------|---------------------------|
| Type | Valve connector B (10 mm) |
| Material | CuSn (Contact) |
| | Ag (Contact surface) |
| | PBT (Contact carrier) |
| | PBT (Housing) |
| Protective circuit | Z diode |

Cable/line

| | |
|--------------|-----|
| Cable length | 3 m |
|--------------|-----|

PUR/PVC yellow [140]

| | |
|---|---|
| Dimensional drawing |  |
| Cable weight | 37 kg/km |
| Number of positions | 3 |
| Shielded | no |
| Cable type | PUR/PVC yellow [140] |
| Conductor structure signal line | 42x 0.10 mm |
| AWG signal line | 22 |
| Conductor cross-section | 0.34 mm ² |
| Wire diameter incl. insulation | 1.52 mm ±0.02 mm |
| External cable diameter | 5.20 mm ±0.2 mm |
| Outer sheath, material | PUR |
| External sheath, color | yellow |
| Conductor material | Bare Cu litz wires |
| Material wire insulation | PVC |
| Single wire, color | brown, blue, black |
| Thickness, insulation | ≥ 0.23 mm (Core insulation) |
| | ≥ 0.38 mm (Outer cable sheath) |
| | approx. 0.45 mm (Inner sheath) |
| Overall twist | 3 wires, twisted |
| Max. conductor resistance | max. 57.3 Ω/km (at 20 °C) |
| Insulation resistance | ≥ 100 MΩ*km (at 20 °C) |
| Nominal voltage, cable | 300 V |
| Test voltage | 2500 V |
| Smallest bending radius, fixed installation | 52 mm |
| Smallest bending radius, movable installation | 52 mm |

SAC-3P-M12MS/ 3,0-140/B-1L-S - Sensor/actuator cable



1526677

<https://www.phoenixcontact.com/us/products/1526677>

| | |
|---------------------------------|---|
| Dynamic load capacity (bending) | Max. bending cycles: 2000000, Bending radius: 52 mm, Traversing path: 5 m, Traversing rate: 3 m/s |
| Ambient temperature (operation) | -25 °C ... 80 °C (cable, fixed installation) |
| | -5 °C ... 80 °C (Cable, flexible installation) |

Environmental and real-life conditions

Ambient conditions

| | |
|---------------------------------|------------------------------------|
| Degree of protection | IP67 |
| Ambient temperature (operation) | -25 °C ... 90 °C (Plug / socket) |
| | -20 °C ... 80 °C (Valve connector) |
| | cable, fixed installation |
| | Cable, flexible installation |

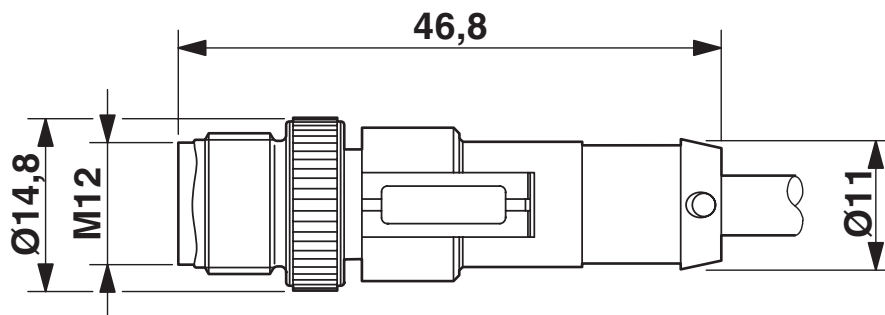
SAC-3P-M12MS/ 3,0-140/B-1L-S - Sensor/actuator cable

1526677

<https://www.phoenixcontact.com/us/products/1526677>

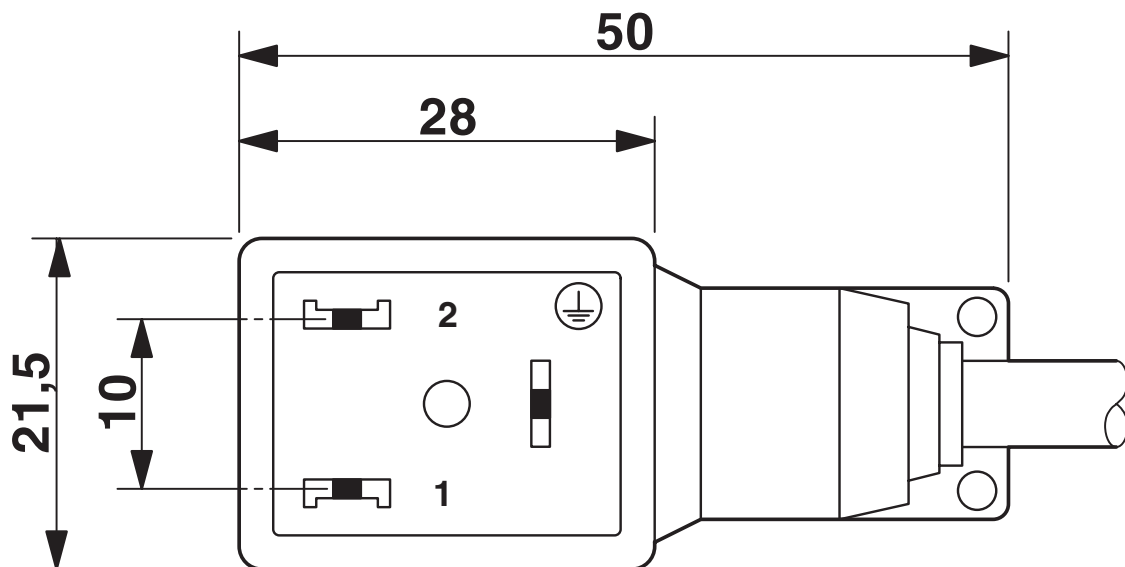
Drawings

Dimensional drawing



Plug, M12 x 1, straight, shielded

Dimensional drawing



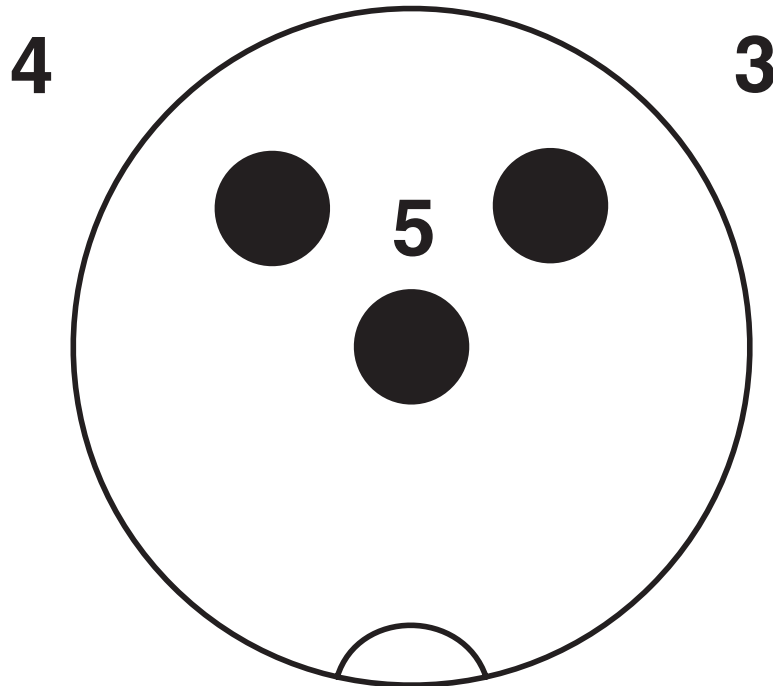
Valve connector, type B

SAC-3P-M12MS/ 3,0-140/B-1L-S - Sensor/actuator cable

1526677

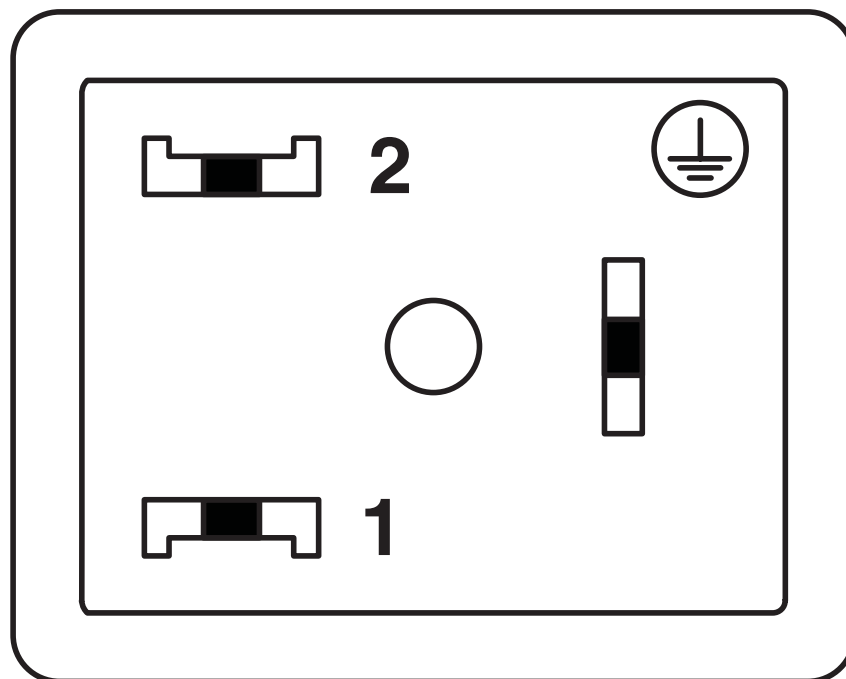
<https://www.phoenixcontact.com/us/products/1526677>

Schematic diagram



Pin assignment M12 plug, 3-pos., valve connector

Schematic diagram

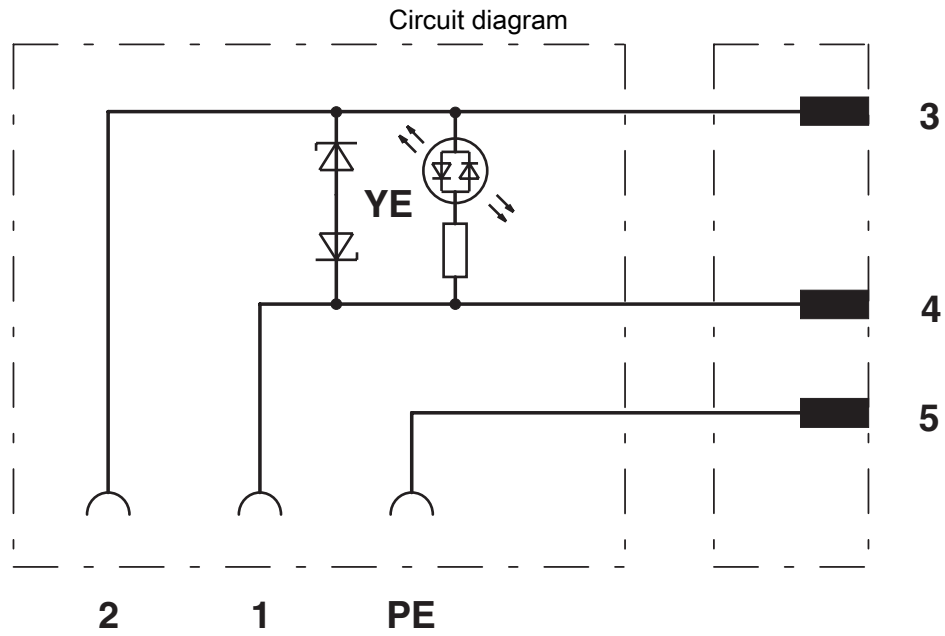


Valve connector pin assignment, type B

SAC-3P-M12MS/ 3,0-140/B-1L-S - Sensor/actuator cable

1526677

<https://www.phoenixcontact.com/us/products/1526677>



Contact assignment of M12 plug and valve connector

SAC-3P-M12MS/ 3,0-140/B-1L-S - Sensor/actuator cable



1526677

<https://www.phoenixcontact.com/us/products/1526677>

Classifications

ECLASS

| | |
|-------------|----------|
| ECLASS-13.0 | 27060312 |
| ECLASS-15.0 | 27060312 |

SAC-3P-M12MS/ 3,0-140/B-1L-S - Sensor/actuator cable



1526677

<https://www.phoenixcontact.com/us/products/1526677>

Environmental product compliance

China RoHS

| | |
|--|---|
| Environment friendly use period (EFUP) | EFUP-50 |
| | An article-related China RoHS declaration table can be found in the download area for the respective article under "Manufacturer declaration". For all articles with EFUP-E, no China RoHS declaration table issued and required. |

EU REACH SVHC

| | |
|-------------------------------------|----------------------------|
| REACH candidate substance (CAS No.) | No substance above 0.1 wt% |
|-------------------------------------|----------------------------|

Phoenix Contact 2026 © - all rights reserved
<https://www.phoenixcontact.com>

Phoenix Contact USA
586 Fulling Mill Road
Middletown, PA 17057, United States
(+717) 944-1300
info@phoenixcon.com