

# SAC-3P- 5,0-300/M 8FR - Sensor/actuator cable



1526499

<https://www.phoenixcontact.com/us/products/1526499>

Please be informed that the data shown in this PDF document is generated from our online catalog. Please find the complete data in the user documentation. Our general terms of use for downloads are valid.



Sensor/actuator cable, 3-position, PUR, black RAL 9005, free cable end, on Socket angled M8, coding: A, cable length: 5 m

## Commercial data

Item number	1526499
Packing unit	5 pc
Minimum order quantity	1 pc
Product key	AF1BBA
GTIN	4017918955106
Weight per piece (including packing)	149.06 g
Weight per piece (excluding packing)	149.06 g
Country of origin	PL

# SAC-3P- 5,0-300/M 8FR - Sensor/actuator cable



1526499

<https://www.phoenixcontact.com/us/products/1526499>

## Technical data

### Product properties

Product type	Sensor/actuator cable
Number of positions	3
No. of cable outlets	1
Shielded	no
Coding	A

### Insulation characteristics

Overvoltage category	II
Degree of pollution	3

### Material specifications

Flammability rating according to UL 94	HB
Seal material	NBR
Material of grip body	TPU, hardly inflammable, self-extinguishing
Contact material	CuSn
Contact surface material	Ni/Au
Contact carrier material	TPU GF
Material for screw connection	Zinc die-cast, nickel-plated

### Electrical properties

Insulation resistance	$\geq 100 \text{ M}\Omega$
Nominal voltage $U_N$	48 V AC
	60 V DC
Nominal current $I_N$	4 A

### Signaling

Status display	no
Status display present	no

### Connector

#### Connection 1

Type	free cable end
------	----------------

#### Connection 2

Type	Socket angled M8
Number of positions	3
Coding type	A

### Cable/line

Cable length	5 m
--------------	-----

PUR black, permanently flexible control cable [300]

# SAC-3P- 5,0-300/M 8FR - Sensor/actuator cable



1526499

<https://www.phoenixcontact.com/us/products/1526499>

Number of positions	3
Shielded	no
Cable type	PUR black, permanently flexible control cable [300]
Conductor structure signal line	32x 0.10 mm
AWG signal line	24
Conductor cross-section	0.25 mm <sup>2</sup>
External cable diameter	4.7 mm
Outer sheath, material	PUR
External sheath, color	black RAL 9005
Conductor material	Bare Cu litz wires
Material wire insulation	PVC
Single wire, color	brown, blue, black
Nominal voltage, cable	300 V
Test voltage	1500 V
Smallest bending radius, movable installation	47 mm
Dynamic load capacity (bending)	Max. bending cycles: 5000000, Bending radius: 47 mm, Traversing path: 2 m, Traversing rate: 2 m/s
Ambient temperature (operation)	-40 °C ... 80 °C (cable, fixed installation) -5 °C ... 80 °C (Cable, flexible installation)

## Environmental and real-life conditions

### Ambient conditions

Degree of protection	IP65 IP67 IP68
Ambient temperature (operation)	-25 °C ... 90 °C (Plug / socket) -40 °C ... 80 °C (cable, fixed installation) -5 °C ... 80 °C (Cable, flexible installation)

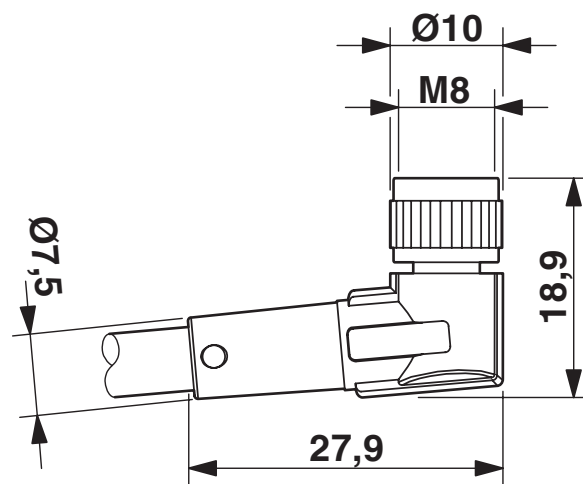
# SAC-3P- 5,0-300/M 8FR - Sensor/actuator cable

1526499

<https://www.phoenixcontact.com/us/products/1526499>

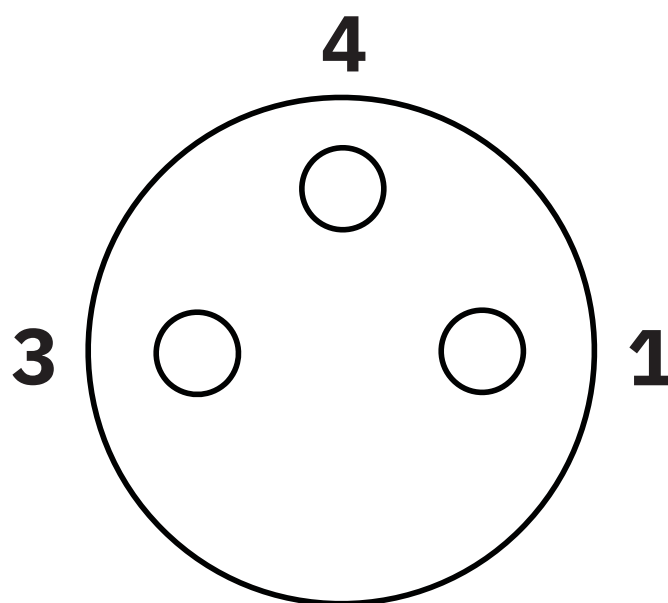
## Drawings

Dimensional drawing



Socket M8 x 1, angled

Schematic diagram



Pin assignment M8 socket, 3-pos., view female side

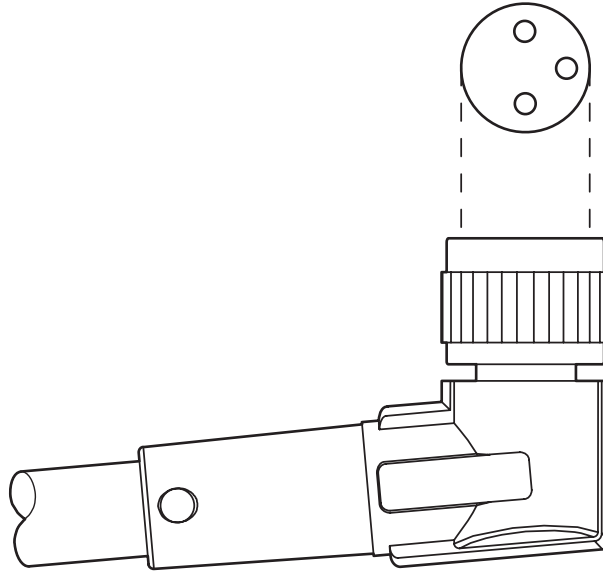
# SAC-3P- 5,0-300/M 8FR - Sensor/actuator cable



1526499

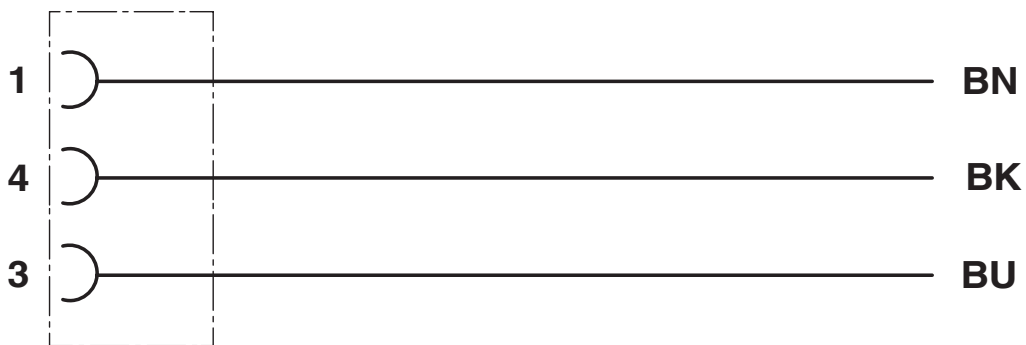
<https://www.phoenixcontact.com/us/products/1526499>

Schematic diagram



Layout of connector pin assignments

Circuit diagram



Contact assignment of M8 socket

# SAC-3P- 5,0-300/M 8FR - Sensor/actuator cable



1526499

<https://www.phoenixcontact.com/us/products/1526499>

## Classifications

### ECLASS

ECLASS-13.0	27060311
ECLASS-15.0	27060311

# SAC-3P- 5,0-300/M 8FR - Sensor/actuator cable



1526499

<https://www.phoenixcontact.com/us/products/1526499>

## Environmental product compliance

### China RoHS

Environment friendly use period (EFUP)	EFUP-50 An article-related China RoHS declaration table can be found in the download area for the respective article under "Manufacturer declaration". For all articles with EFUP-E, no China RoHS declaration table issued and required.
--	--

### EU REACH SVHC

REACH candidate substance (CAS No.)	No substance above 0.1 wt%
-------------------------------------	----------------------------

Phoenix Contact 2026 © - all rights reserved  
<https://www.phoenixcontact.com>

Phoenix Contact USA  
586 Fulling Mill Road  
Middletown, PA 17057, United States  
(+717) 944-1300  
[info@phoenixcon.com](mailto:info@phoenixcon.com)