

SAC-3P-M12Y/2X1,0-140/M12FR - Sensor/actuator cable



1525924

<https://www.phoenixcontact.com/us/products/1525924>

Please be informed that the data shown in this PDF document is generated from our online catalog. Please find the complete data in the user documentation. Our general terms of use for downloads are valid.



Sensor/actuator cable, 3-position, PUR/PVC, yellow, Plug straight M12, coding: A, on Socket angled M12, coding: A and Socket angled M12, coding: A, cable length: 1 m

As shown in the illustration but with a yellow conductor

Commercial data

Item number	1525924
Packing unit	1 pc
Minimum order quantity	1 pc
Sales key	BF03
Product key	AF1COA
GTIN	4017918951788
Weight per piece (including packing)	105.1 g
Weight per piece (excluding packing)	102.7 g
Customs tariff number	85444290
Country of origin	PL

SAC-3P-M12Y/2X1,0-140/M12FR - Sensor/actuator cable



1525924

<https://www.phoenixcontact.com/us/products/1525924>

Technical data

Product properties

Product type	Distributor with cable
Number of positions	3
No. of cable outlets	2
Shielded	no
Coding	A

Insulation characteristics

Overvoltage category	II
Degree of pollution	3

Material specifications

Flammability rating according to UL 94	HB
Seal material	NBR
Material of grip body	TPU, hardly inflammable, self-extinguishing
Contact material	CuSn
Contact surface material	Ni/Au
Contact carrier material	TPU GF
Material for screw connection	Zinc die-cast, nickel-plated

Electrical properties

Insulation resistance	≥ 10 GΩ
Nominal voltage U_N	48 V AC
	60 V DC
Nominal current I_N	4 A

Mechanical properties

Mechanical data

Insertion/withdrawal cycles	≥ 100
-----------------------------	-------

Signaling

Status display	no
Status display present	no

Connector

Connection 1

Type	Plug straight M12
Coding type	A

Connection 2

Type	Socket angled M12
Coding type	A

SAC-3P-M12Y/2X1,0-140/M12FR - Sensor/actuator cable

1525924

<https://www.phoenixcontact.com/us/products/1525924>

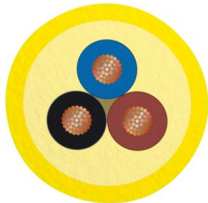
Connection 3

Type	Socket angled M12
Coding type	A

Cable/line

Cable length	1 m
--------------	-----

PUR/PVC yellow [140]

Dimensional drawing	
Cable weight	37 kg/km
Number of positions	3
Shielded	no
Cable type	PUR/PVC yellow [140]
Conductor structure signal line	42x 0.10 mm
AWG signal line	22
Conductor cross-section	0.34 mm ²
Wire diameter incl. insulation	1.52 mm ±0.02 mm
External cable diameter	5.20 mm ±0.2 mm
Outer sheath, material	PUR
External sheath, color	yellow
Conductor material	Bare Cu litz wires
Material wire insulation	PVC
Single wire, color	brown, blue, black
Thickness, insulation	≥ 0.23 mm (Core insulation) ≥ 0.38 mm (Outer cable sheath) approx. 0.45 mm (Inner sheath)
Overall twist	3 wires, twisted
Max. conductor resistance	max. 57.3 Ω/km (at 20 °C)
Insulation resistance	≥ 100 MΩ*km (at 20 °C)
Nominal voltage, cable	300 V
Test voltage	2500 V
Smallest bending radius, fixed installation	52 mm
Smallest bending radius, movable installation	52 mm
Dynamic load capacity (bending)	Max. bending cycles: 2000000, Bending radius: 52 mm, Traversing path: 5 m, Traversing rate: 3 m/s
Ambient temperature (operation)	-25 °C ... 80 °C (cable, fixed installation) -5 °C ... 80 °C (Cable, flexible installation)

SAC-3P-M12Y/2X1,0-140/M12FR - Sensor/actuator cable



1525924

<https://www.phoenixcontact.com/us/products/1525924>

Environmental and real-life conditions

Ambient conditions

Degree of protection	IP65
	IP67
	IP68
Ambient temperature (operation)	-25 °C ... 90 °C (Plug / socket)
	-25 °C ... 80 °C (cable, fixed installation)
	-5 °C ... 80 °C (Cable, flexible installation)

SAC-3P-M12Y/2X1,0-140/M12FR - Sensor/actuator cable

1525924

<https://www.phoenixcontact.com/us/products/1525924>

Drawings

Dimensional drawing



Plug M12 x 1, Y distributor

Dimensional drawing



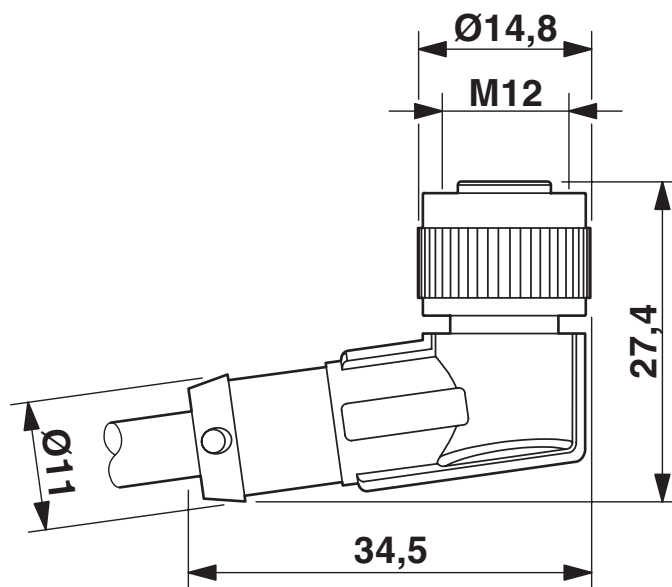
M12 x 1 socket, angled

SAC-3P-M12Y/2X1,0-140/M12FR - Sensor/actuator cable

1525924

<https://www.phoenixcontact.com/us/products/1525924>

Dimensional drawing



M12 x 1 socket, angled

SAC-3P-M12Y/2X1,0-140/M12FR - Sensor/actuator cable

1525924

<https://www.phoenixcontact.com/us/products/1525924>

Schematic diagram



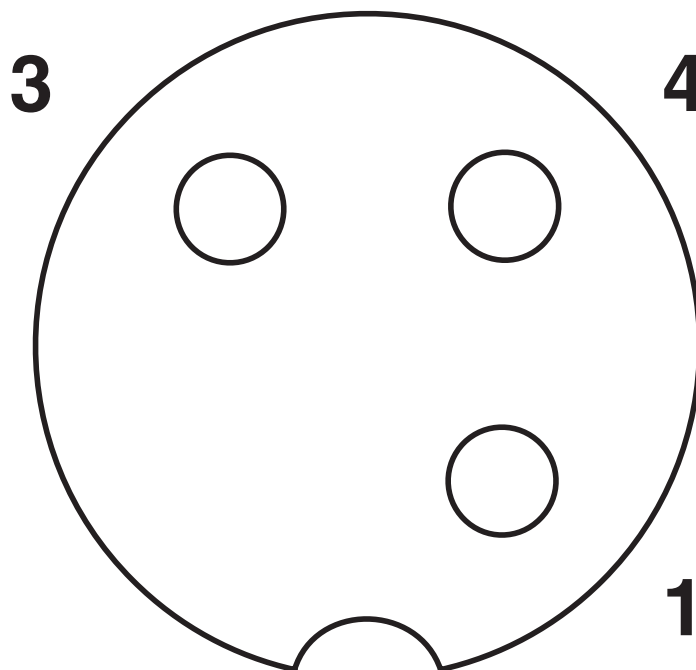
Pin assignment M12 plug, 4-pos., A-coded, view plug side

SAC-3P-M12Y/2X1,0-140/M12FR - Sensor/actuator cable

1525924

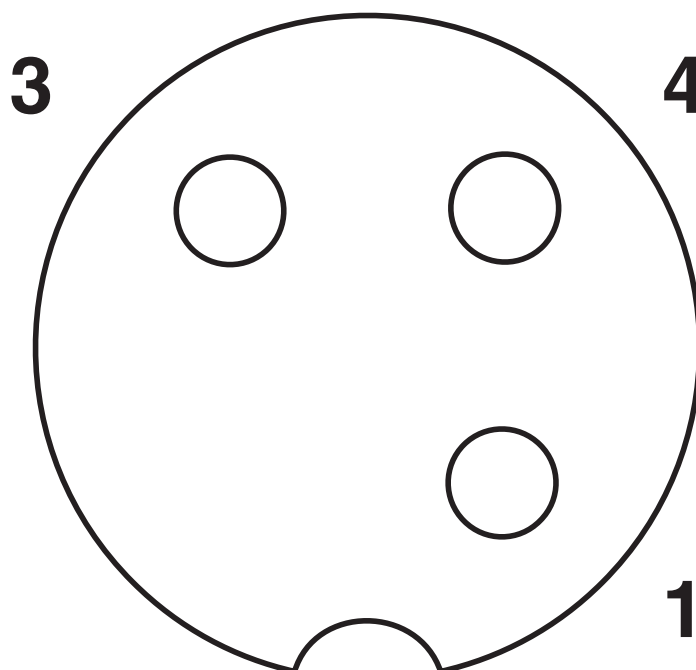
<https://www.phoenixcontact.com/us/products/1525924>

Schematic diagram



Pin assignment M12 socket, 3-pos., A-coded, view female side

Schematic diagram



Pin assignment M12 socket, 3-pos., A-coded, view female side

SAC-3P-M12Y/2X1,0-140/M12FR - Sensor/actuator cable



1525924

<https://www.phoenixcontact.com/us/products/1525924>

Approvals

To download certificates, visit the product detail page: <https://www.phoenixcontact.com/us/products/1525924>

 UL Listed Approval ID: FILE E 221474				
	Nominal voltage U_N	Nominal current I_N	Cross section AWG	Cross section mm^2
keine				
	300 V	4 A	-	-

 cUL Listed Approval ID: FILE E 221474				
	Nominal voltage U_N	Nominal current I_N	Cross section AWG	Cross section mm^2
keine				
	300 V	4 A	-	-

 EAC-RoHS Approval ID: RU D-DE.HB35.B.00387	
--	--

SAC-3P-M12Y/2X1,0-140/M12FR - Sensor/actuator cable



1525924

<https://www.phoenixcontact.com/us/products/1525924>

Classifications

ECLASS

ECLASS-13.0	27060313
ECLASS-15.0	27060313

ETIM

ETIM 10.0	EC001855
-----------	----------

UNSPSC

UNSPSC 21.0	26121600
-------------	----------

SAC-3P-M12Y/2X1,0-140/M12FR - Sensor/actuator cable



1525924

<https://www.phoenixcontact.com/us/products/1525924>

Environmental product compliance

EU RoHS

Fulfills EU RoHS substance requirements	Yes, No exemptions
---	--------------------

China RoHS

Environment friendly use period (EFUP)	EFUP-E
	No hazardous substances above the limits

EU REACH SVHC

REACH candidate substance (CAS No.)	No substance above 0.1 wt%
-------------------------------------	----------------------------

EF3.1 Climate Change

CO2e kg	3.766 kg CO2e
---------	---------------

Phoenix Contact 2026 © - all rights reserved
<https://www.phoenixcontact.com>

Phoenix Contact USA
586 Fulling Mill Road
Middletown, PA 17057, United States
(+717) 944-1300
info@phoenixcon.com