

# SACCEC-M12MS-5CON-M16/10,0-920 - Bus system flat-type plug



1525665

<https://www.phoenixcontact.com/us/products/1525665>

Please be informed that the data shown in this PDF document is generated from our online catalog. Please find the complete data in the user documentation. Our general terms of use for downloads are valid.



Bus system flush-type plug, DeviceNet/CANopen, 5-pos., M12, shielded, A-coded, front/screw mounting with M16 thread, with 10.5 m bus cable, 2 x 0.2 mm<sup>2</sup>, 2 x 0.32 mm<sup>2</sup>

## Commercial data

Item number	1525665
Packing unit	1 pc
Note	Made to order (non-returnable)
Sales key	AB25
Product key	ABQYAA
GTIN	4046356022408
Weight per piece (including packing)	596.8 g
Weight per piece (excluding packing)	596.8 g
Customs tariff number	85369010
Country of origin	DE

# SACCEC-M12MS-5CON-M16/10,0-920 - Bus system flat-type plug



1525665

<https://www.phoenixcontact.com/us/products/1525665>

## Technical data

### Product properties

Product type	Circular connectors (device side)
Number of positions	5
Shielded	yes
Coding	A

### Insulation characteristics

Overvoltage category	II
Degree of pollution	3

### Material specifications

Flammability rating according to UL 94	V0
Insulating material	PA66
Contact material	CuZn
Contact surface material	Ni/Au
Material for screw connection	Metal
Outer sheath, material	PUR
Conductor material	Tin-plated Cu litz wires

### Electrical properties

Contact resistance	$\leq 3 \text{ m}\Omega$
Insulation resistance	$\geq 100 \text{ M}\Omega$
Nominal voltage $U_N$	60 V
Nominal current $I_N$	4 A
Test voltage	2500 V
Test voltage Core/Core	2000 V
Max. conductor resistance	51.6 m $\Omega$ /m

### Connection data

#### Conductor connection

Connection method	CAN Bus / DeviceNet
-------------------	---------------------

### Mechanical properties

#### Mechanical data

Max. bending cycles	5000000
---------------------	---------

### Connector

#### Connection 1

Head design	Plug
-------------	------

# SACCEC-M12MS-5CON-M16/10,0-920 - Bus system flat-type plug



1525665

<https://www.phoenixcontact.com/us/products/1525665>

Head cable outlet	straight
Head thread type	M12
Coding	A


## Connection 2

Head design	free cable end
-------------	----------------

## Cable/line

Cable length	10 m
--------------	------

CANopen®/DeviceNet™, PUR, violet [920]

Dimensional drawing	
Shielded	yes
UL AWM Style	21198 (80°C/300 V)
Cable weight	90 kg/km
Cable type	CANopen®/DeviceNet™, PUR, violet
Cable type (abbreviation)	920
Signal type/category	CANopen® DeviceNet™
Cable structure	2xAWG24/19+2xAWG22/19
External cable diameter	6.70 mm ±0.3 mm
Outer sheath, material	PUR
External sheath, color	red lilac RAL 4001
Conductor material	Tin-plated Cu litz wires
Conductor structure signal line	19x 0.13 mm
AWG signal line	24
Conductor structure, voltage supply	19x 0.15 mm
Conductor cross-section	2x 0.25 mm <sup>2</sup> (Data cable)
AWG power supply	22
Material wire insulation	Foamed PE (Data cable) PE (Power supply)
Wire diameter incl. insulation	1.95 mm ±0.05 mm (Data cable) 1.4 mm ±0.05 mm (Power supply)
Single wire, color	red-black, blue-white
Twisted pairs	2 cores to the pair
Type of pair shielding	Plastic-coated aluminum foil, aluminum side outside

# SACCEC-M12MS-5CON-M16/10,0-920 - Bus system flat-type plug



1525665

<https://www.phoenixcontact.com/us/products/1525665>

Overall twist	2 pairs around a drain wire in the center to the core
Shielding	Tinned copper braided shield
Optical shield covering	80 %
Nominal voltage, cable	≤ 300 V (Peak value, not for high-power applications)
Test voltage Core/Core	2000 V (50 Hz, 1 min.)
Test voltage Core/Shield	2000.00 V (50 Hz, 1 min.)
Cable insulation resistance	≥ 5 GΩ*km (Data cable)
	≥ 5 GΩ*km (Power supply)
Wave impedance	120 Ω ±10 % (with 1 MHz)
Loop resistance	≤ 181.80 Ω/km (Data cable)
	≤ 114.80 Ω/km (Power supply)
Cable capacity	nom. 40 nF/km (Data cable)
Minimum bending radius, fixed installation	5 x D
Minimum bending radius, flexible installation	10 x D
Number of bending cycles	5000000
Minimum bending radius, drag chain applications	10 x D
Bending radius	70 mm
Traversing path	4.5 m
Traversing rate	3 m/s
Acceleration	3 m/s <sup>2</sup>
Ambient temperature (operation)	-20 °C ... 60 °C (cable, drag chain applications)
Halogen-free	in accordance with DIN VDE 0472 part 815
	according to IEC 60754-1
Flame resistance	UL 1581, Section 1060 and UL 2556, Section 9.3 (FT1)
	UL 1581, Section 1100 and UL 2556, Section 9.1 (HFT/FT2)
	IEC 60332-1-2
	in accordance with ISO 6722-1 5.22 (UN ECE-R 118.01)
Other resistance	Low adhesion
Ambient temperature (operation)	-30 °C ... 70 °C (Cable, flexible installation)
	-30 °C ... 70 °C (Cable, flexible installation)
	-40 °C ... 80 °C (cable, fixed installation)

## Environmental and real-life conditions

### Ambient conditions

Degree of protection	IP67
Ambient temperature (operation) (male connector/female connector)	-25 °C ... 80 °C (Plug / socket)
Ambient temperature (operation) (Cable, fixed installation)	-40 °C ... 80 °C (cable, fixed installation)
Ambient temperature (operation) (Cable, flexible installation)	-20 °C ... 75 °C (Cable, flexible installation)

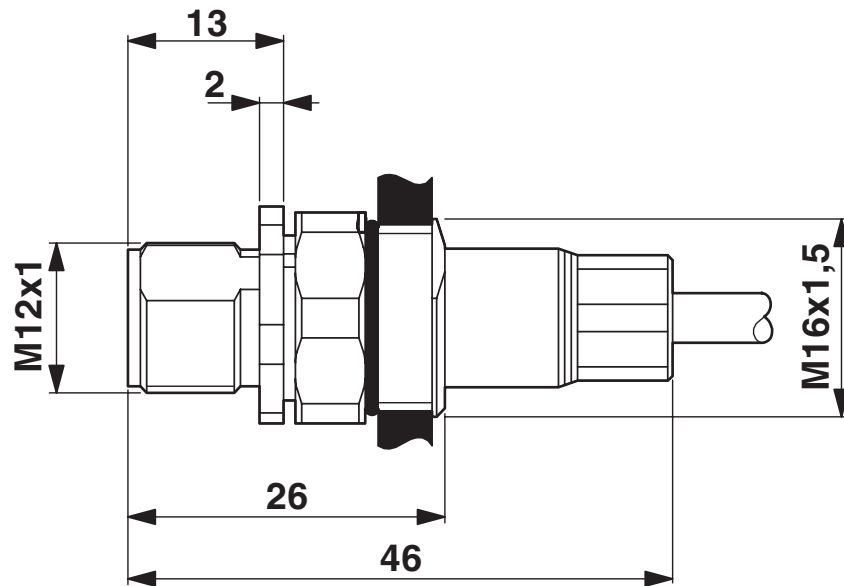
# SACCEC-M12MS-5CON-M16/10,0-920 - Bus system flat-type plug

1525665

<https://www.phoenixcontact.com/us/products/1525665>

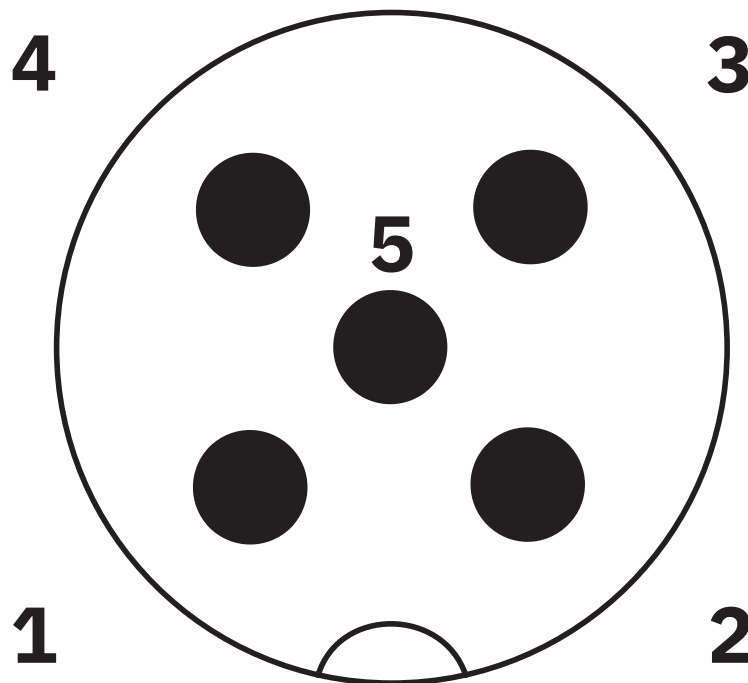
## Drawings

Dimensional drawing



M12 flush-type plug

Schematic diagram



Pin assignment M12 male connector, 5-pos., A-coded, male side

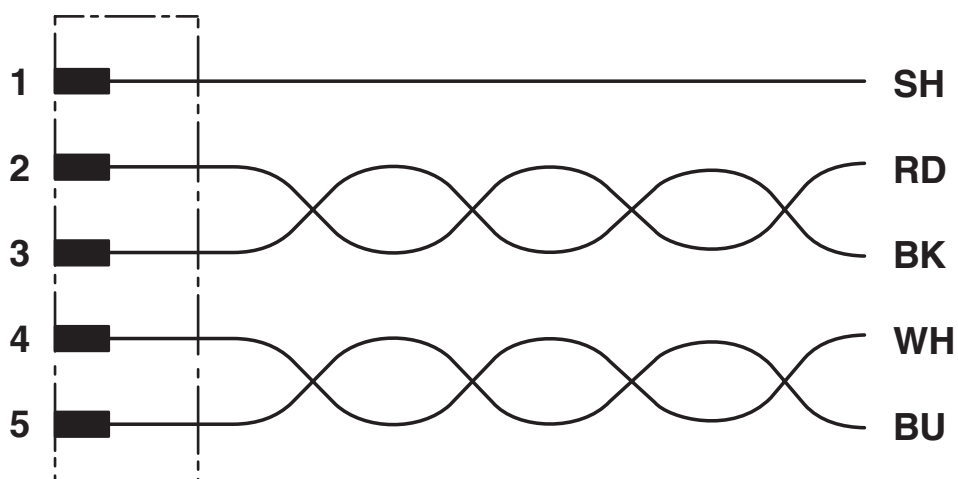
# SACCEC-M12MS-5CON-M16/10,0-920 - Bus system flat-type plug



1525665

<https://www.phoenixcontact.com/us/products/1525665>

Circuit diagram



Contact assignment of the M12 plug

Phoenix Contact 2026 © - all rights reserved  
<https://www.phoenixcontact.com>

Phoenix Contact USA  
586 Fulling Mill Road  
Middletown, PA 17057, United States  
(+717) 944-1300  
[info@phoenixcon.com](mailto:info@phoenixcon.com)