

SACC-DSI-M12FSB-5CON-L180 - Device connector rear mounting



1525474

<https://www.phoenixcontact.com/us/products/1525474>

Please be informed that the data shown in this PDF document is generated from our online catalog. Please find the complete data in the user documentation. Our general terms of use for downloads are valid.



Illustration shows A-coded variant

Sensor/Actuator flush-type socket, 5-pos., M12, B-coded, rear/screw mounting with Pg9 thread, with straight solder connection

Commercial data

Item number	1525474
Packing unit	1 pc
Note	Made to order (non-returnable)
Sales key	NULL
Product key	ABQYAA
GTIN	4017918953973
Weight per piece (including packing)	13.97 g
Weight per piece (excluding packing)	13.97 g
Customs tariff number	85366990
Country of origin	DE

SACC-DSI-M12FSB-5CON-L180 - Device connector rear mounting



1525474

<https://www.phoenixcontact.com/us/products/1525474>

Technical data

Product properties

Number of positions	5
Shielded	no
Coding	B

Insulation characteristics

Overvoltage category	II
Degree of pollution	3

Electrical properties

Contact resistance	$\leq 3 \text{ m}\Omega$
Insulation resistance	$\geq 100 \text{ M}\Omega$
Nominal voltage U_N	125 V
Nominal current I_N	4 A

Connection data

Connection method	Solder pins
-------------------	-------------

Signaling

Status display	no
Status display present	no

Material specifications

Material Housing	CuZn
Material Housing surface	Ni
Material Insulating body	PA 6.6
Material Contact	CuZn
Material Contact surface	Au
Material Seal	NBR
Flammability rating according to UL 94	HB

Connector

Connection 1

Head design	Socket
Head cable outlet	straight
Head thread type	M12
Coding	B

Environmental and real-life conditions

Ambient conditions

SACC-DSI-M12FSB-5CON-L180 - Device connector rear mounting



1525474

<https://www.phoenixcontact.com/us/products/1525474>

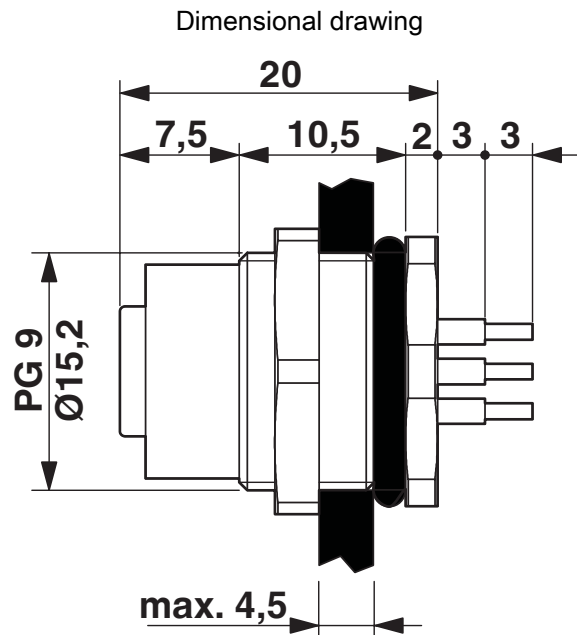
Degree of protection	IP67
Ambient temperature (operation) (male connector/female connector)	-25 °C ... 85 °C (Plug / socket)

SACC-DSI-M12FSB-5CON-L180 - Device connector rear mounting

1525474

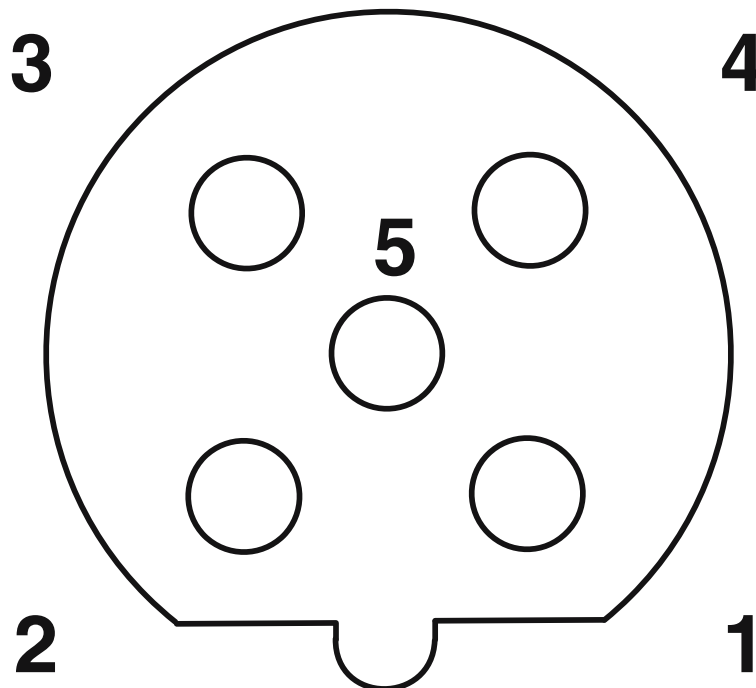
<https://www.phoenixcontact.com/us/products/1525474>

Drawings



M12 flush-type connector

Schematic diagram



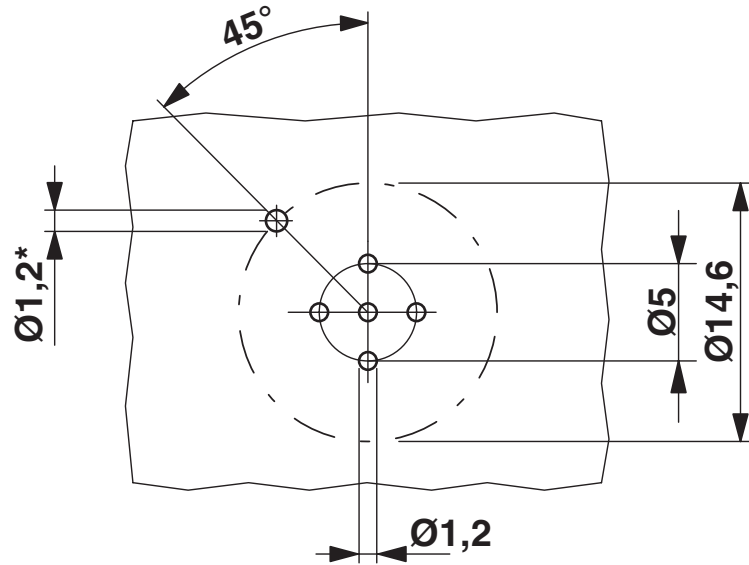
Pin assignment M12 socket, 5-pos., B-coded, female side

SACC-DSI-M12FSB-5CON-L180 - Device connector rear mounting

1525474

<https://www.phoenixcontact.com/us/products/1525474>

Drilling plan/solder pad geometry



M12 flush-type connector

SACC-DSI-M12FSB-5CON-L180 - Device connector rear mounting



1525474

<https://www.phoenixcontact.com/us/products/1525474>

Environmental product compliance

EU REACH SVHC

REACH candidate substance (CAS No.)	No substance above 0.1 wt%
-------------------------------------	----------------------------

Phoenix Contact 2026 © - all rights reserved

<https://www.phoenixcontact.com>

Phoenix Contact USA
586 Fulling Mill Road
Middletown, PA 17057, United States
(+717) 944-1300
info@phoenixcon.com