

# SAC-6P-M 8MR/ 5,0-PUR SH - Sensor/actuator cable



1522367

<https://www.phoenixcontact.com/us/products/1522367>

Please be informed that the data shown in this PDF document is generated from our online catalog. Please find the complete data in the user documentation. Our general terms of use for downloads are valid.



Sensor/actuator cable, 6-position, PUR halogen-free, black-gray RAL 7021, shielded, Plug angled M8, coding: A, on free cable end, cable length: 5 m

## Your advantages

- Easy and safe: 100 % electrically tested plug-in components
- Reliable signal transmission – 360° shielding in environments with electromagnetic interference

## Commercial data

|                                      |                                |
|--------------------------------------|--------------------------------|
| Item number                          | 1522367                        |
| Packing unit                         | 1 pc                           |
| Minimum order quantity               | 1 pc                           |
| Note                                 | Made to order (non-returnable) |
| Sales key                            | BF01                           |
| Product key                          | AF1BNA                         |
| GTIN                                 | 4046356021128                  |
| Weight per piece (including packing) | 194.5 g                        |
| Weight per piece (excluding packing) | 193 g                          |
| Customs tariff number                | 85444290                       |
| Country of origin                    | PL                             |

## Technical data

### Product properties

|                      |                       |
|----------------------|-----------------------|
| Product type         | Sensor/actuator cable |
| Application          | Standard              |
| Number of positions  | 6                     |
| No. of cable outlets | 1                     |
| Shielded             | yes                   |
| Coding               | A                     |

### Insulation characteristics

|                      |    |
|----------------------|----|
| Overvoltage category | II |
| Degree of pollution  | 3  |

### Material specifications

|  |   |
|--|---|
| Flammability rating according to UL 94 | HB  |
| Material of grip body                  | TPU, hardly inflammable, self-extinguishing |
| Contact material                       | CuZn  |
| Contact surface material               | Ni/Au                                       |
| Contact carrier material               | TPU GF                                      |
| Material for screw connection          | Zinc die-cast, nickel-plated                |

### Electrical properties

|  |                            |
|--|----------------------------|
| Rated voltage in acc. with IEC 61076-2-101 | 30 V                       |
| Insulation resistance                      | $\geq 100 \text{ M}\Omega$ |
| Nominal voltage $U_N$                      | 30 V AC                    |
|  | 30 V DC                    |
| Nominal current $I_N$                      | 1.5 A                      |

### Mechanical properties

#### Mechanical data

|                             |            |
|-----------------------------|------------|
| Insertion/withdrawal cycles | $\geq 100$ |
|-----------------------------|------------|

### Signaling

|                        |    |
|------------------------|----|
| Status display         | no |
| Status display present | no |

### Connection data

#### Conductor connection

|                   |                        |
|-------------------|------------------------|
| Tightening torque | 0.2 Nm (M8 connectors) |
|-------------------|------------------------|

### Connector

#### Connection 1

# SAC-6P-M 8MR/ 5,0-PUR SH - Sensor/actuator cable



1522367

<https://www.phoenixcontact.com/us/products/1522367>

|                     |                |
|---------------------|----------------|
| Type                | Plug angled M8 |
| Number of positions | 6              |
| Coding type         | A              |


## Connection 2

|      |                |
|------|----------------|
| Type | free cable end |
|------|----------------|

## Cable/line

|              |     |
|--------------|-----|
| Cable length | 5 m |
|--------------|-----|

## PUR halogen-free black [PUR]

|   |  |
|---|--|
| Dimensional drawing                           |   |
| Cable weight                                  | 34 kg/km   |
| Number of positions                           | 6  |
| Shielded                                      | yes  |
| Cable type                                    | PUR halogen-free black [PUR]   |
| Conductor structure signal line               | 18x 0.10 mm  |
| AWG signal line                               | 26   |
| Conductor cross-section                       | 6x 0.14 mm <sup>2</sup> (Signal line)  |
| Wire diameter incl. insulation                | 1 mm ±0.05 mm  |
| External cable diameter                       | 5.2 mm<br>5.20 mm  |
| Outer sheath, material                        | PUR  |
| External sheath, color                        | black-gray RAL 7021  |
| Conductor material                            | Bare Cu litz wires   |
| Single wire, color                            | brown, white, black, blue, gray, pink  |
| Smallest bending radius, fixed installation   | 52 mm  |
| Smallest bending radius, movable installation | 52 mm  |
| Dynamic load capacity (bending)               | Max. bending cycles: 10000000, Bending radius: 52 mm, Traversing path: 10 m, Traversing rate: 3 m/s, Acceleration: 10 m/s <sup>2</sup>                         |
| Dynamic load capacity (torsion)               | Torsion: ±180 °/m, Torsion cycles: ≥5000000, Torsional frequency: 35 cycles/min.   |
| Halogen-free                                  | in accordance with DIN VDE 0472 part 815   |
| Flame resistance                              | in accordance with DIN UL-Style 20549  |
| Resistance to oil                             | in accordance with DIN EN 60811-2-1  |
| Other resistance                              | Highly resistant to acids, alkaline solutions and solvents<br>hydrolysis and microbe resistant<br>partly UV-resistant (in accordance with DIN EN ISO 4892-2-A) |

# SAC-6P-M 8MR/ 5,0-PUR SH - Sensor/actuator cable



1522367

<https://www.phoenixcontact.com/us/products/1522367>

|                                 |   |
|---------------------------------|---|
| Special properties              | Flexible cable conduit capable                                      |
|                                 | Silicone-free   |
|                                 | Free of substances which would hinder coating with paint or varnish |
| Ambient temperature (operation) | -40 °C ... 80 °C (cable, fixed installation)                        |
|                                 | -5 °C ... 80 °C (Cable, flexible installation)                      |

## Environmental and real-life conditions

### Ambient conditions

|   |  |
|---|--|
| Degree of protection  | IP65   |
|   | IP67   |
| Ambient temperature (operation) (male connector/female connector) | -25 °C ... 90 °C (Plug / socket)               |
| Ambient temperature (operation) (Cable, fixed installation)       | -25 °C ... 80 °C (cable, fixed installation)   |
| Ambient temperature (operation) (Cable, flexible installation)    | -5 °C ... 80 °C (Cable, flexible installation) |

## Standards and regulations

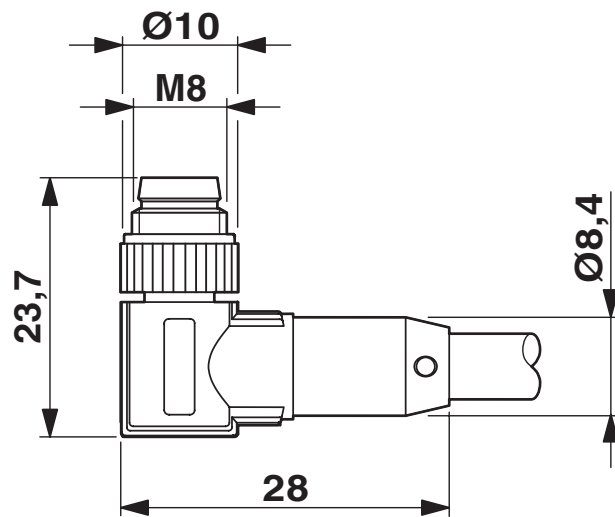
|                          |                 |
|--------------------------|-----------------|
| Standard designation     | M8 connector    |
| Standards/specifications | IEC 61076-2-104 |

1522367

<https://www.phoenixcontact.com/us/products/1522367>

## Drawings

Dimensional drawing



Plug M8 x 1, angled, shielded

Schematic diagram



Pin assignment M8 plug, 6-pos., view male side

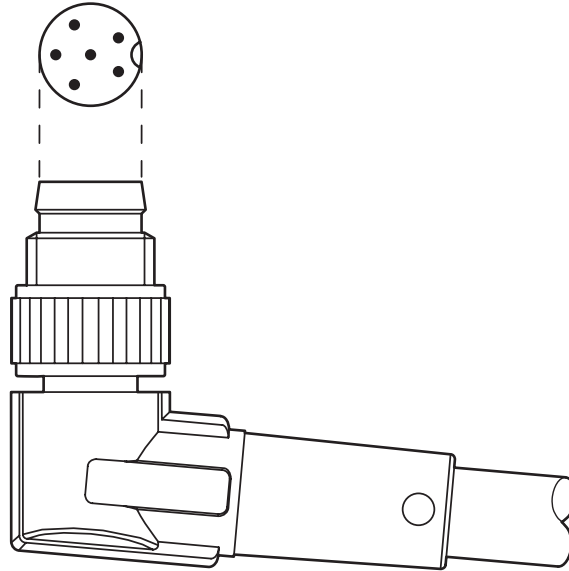
# SAC-6P-M 8MR/ 5,0-PUR SH - Sensor/actuator cable



1522367

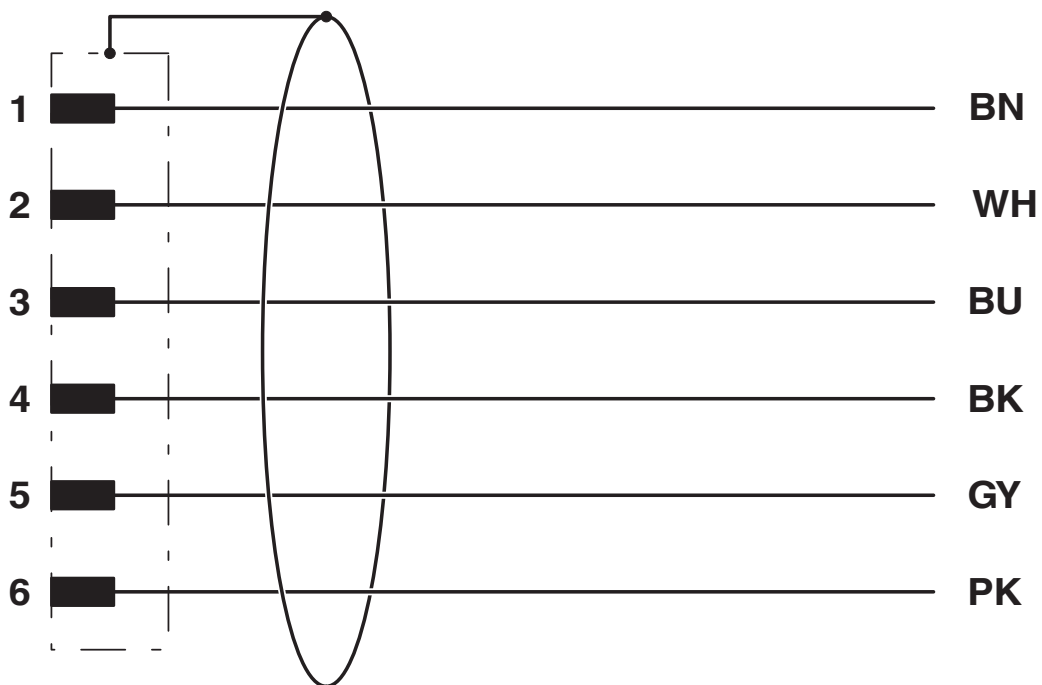
<https://www.phoenixcontact.com/us/products/1522367>

Schematic diagram



Layout of connector pin assignments

Circuit diagram



Contact assignment of the M8 plug

# SAC-6P-M 8MR/ 5,0-PUR SH - Sensor/actuator cable



1522367

<https://www.phoenixcontact.com/us/products/1522367>

## Approvals

To download certificates, visit the product detail page: <https://www.phoenixcontact.com/us/products/1522367>

|  <b>UL Listed</b><br>Approval ID: FILE E 221474 |                       |                       |                   |                             |
|--|-----------------------|-----------------------|-------------------|-----------------------------|
|  | Nominal voltage $U_N$ | Nominal current $I_N$ | Cross section AWG | Cross section $\text{mm}^2$ |
| keine  |                       |                       |                   |                             |
|  | 30 V                  | 1.5 A                 | -                 | -                           |

|  <b>cUL Listed</b><br>Approval ID: FILE E 221474 |                       |                       |                   |                             |
|---|-----------------------|-----------------------|-------------------|-----------------------------|
|   | Nominal voltage $U_N$ | Nominal current $I_N$ | Cross section AWG | Cross section $\text{mm}^2$ |
| keine   |                       |                       |                   |                             |
|   | 30 V                  | 1.5 A                 | -                 | -                           |

|  <b>EAC-RoHS</b><br>Approval ID: RU D-DE.HB35.B.00387 |  |  |  |  |
|--|--|--|--|--|
|--|--|--|--|--|

# SAC-6P-M 8MR/ 5,0-PUR SH - Sensor/actuator cable



1522367

<https://www.phoenixcontact.com/us/products/1522367>

## Classifications

### ECLASS

|             |          |
|-------------|----------|
| ECLASS-13.0 | 27060311 |
| ECLASS-15.0 | 27060311 |

### ETIM

|           |          |
|-----------|----------|
| ETIM 10.0 | EC001855 |
|-----------|----------|

### UNSPSC

|             |          |
|-------------|----------|
| UNSPSC 21.0 | 26121600 |
|-------------|----------|

# SAC-6P-M 8MR/ 5,0-PUR SH - Sensor/actuator cable



1522367

<https://www.phoenixcontact.com/us/products/1522367>

## Environmental product compliance

### EU RoHS

|   |                    |
|---|--------------------|
| Fulfills EU RoHS substance requirements | Yes, No exemptions |
|---|--------------------|

### China RoHS

|  |  |
|--|--|
| Environment friendly use period (EFUP) | EFUP-E                                   |
|  | No hazardous substances above the limits |

### EU REACH SVHC

|                                     |                            |
|-------------------------------------|----------------------------|
| REACH candidate substance (CAS No.) | No substance above 0.1 wt% |
|-------------------------------------|----------------------------|

### EF3.1 Climate Change

|         |               |
|---------|---------------|
| CO2e kg | 4.839 kg CO2e |
|---------|---------------|

Phoenix Contact 2026 © - all rights reserved  
<https://www.phoenixcontact.com>

Phoenix Contact USA  
586 Fulling Mill Road  
Middletown, PA 17057, United States  
(+717) 944-1300  
[info@phoenixcon.com](mailto:info@phoenixcon.com)