

# SACC-MS-4QO-0,34-M SCO - Connector



1521575

<https://www.phoenixcontact.com/us/products/1521575>

Please be informed that the data shown in this PDF document is generated from our online catalog. Please find the complete data in the user documentation. Our general terms of use for downloads are valid.



Connector, Universal, 4-position, Plug straight M12 SPEEDCON, coding: A, Insulation displacement connection, knurl material: Zinc die-cast, nickel-plated, external cable diameter 3.5 mm ... 6 mm

## Your advantages

- Safe use in the field, thanks to a high degree of protection
- Save time, thanks to installation with SPEEDCON fast locking system
- Insulation displacement connection: innovative and time-saving assembly without stripping the single wire

## Commercial data

Item number	1521575
Packing unit	1 pc
Minimum order quantity	1 pc
Sales key	BF31
Product key	AF2CCA
GTIN	4017918953072
Weight per piece (including packing)	13.8 g
Weight per piece (excluding packing)	13.2 g
Customs tariff number	85366990
Country of origin	DE

# SACC-MS-4QO-0,34-M SCO - Connector



1521575

<https://www.phoenixcontact.com/us/products/1521575>

## Technical data

### Notes

Assembly note	<b>NOTE:</b> Observe the permissible bending radii when routing cables, since the degree of protection may be at risk if the bending forces are too high. Reduce mechanical loads upstream of the connector, e.g., by using cable ties.
---------------	---

### Mounting

Assembly note	AWG 20 conductor cross-section upon request
---------------	---

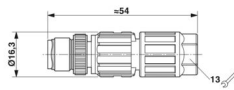
### Product properties

Product type	Circular connector (cable-side)
Number of positions	4
No. of cable outlets	1
Shielded	no
Coding	A
Cable outlet	straight

### Insulation characteristics

Overvoltage category	III
Degree of pollution	3

### Dimensions

Dimensional drawing	
Length	54 mm
Wrench size, union nut	13 mm

### External dimensions

Outside diameter	3.5 mm ... 6 mm
------------------	-----------------

### Housing

Diameter housing	16.3 mm
------------------	---------

### Material specifications

Flammability rating according to UL 94	V0
Seal material	NBR
Material of grip body	PA 6
Contact material	CuSn
Contact surface material	Ni/Au
Contact carrier material	TPU

# SACC-MS-4QO-0,34-M SCO - Connector



1521575

<https://www.phoenixcontact.com/us/products/1521575>

Material for screw connection	Zinc die-cast, nickel-plated
Wire insulation material	PVC / PE / PP / rubber

## Connection data

### Conductor connection

Connection method	Insulation displacement connection
Connection cross section	0.14 mm <sup>2</sup> ... 0.34 mm <sup>2</sup>
Connection cross section AWG	26 ... 22
Tightening torque	0.4 Nm (M12 knurl)
	1.2 Nm (Pressure nut)

### Connection assignment

Contact   Color (signal designation)   Contact (optional)	1 = BN
	2 = WH
	3 = BU
	4 = BK

## Electrical properties

Rated surge voltage	2.5 kV
Contact resistance	≤ 5 mΩ
Insulation resistance	≥ 100 MΩ
Nominal voltage U <sub>N</sub>	125 V AC
	125 V DC
Nominal current I <sub>N</sub>	4 A

## Mechanical properties

### Mechanical data

Insertion/withdrawal cycles	≥ 100
-----------------------------	-------

## Connector

### Connection 1

Head design	Plug
Head cable outlet	straight
Head thread type	M12
Head locking type	SPEEDCON
Coding	A

## Cable/line

Signal type/category	Universal
External cable diameter	3.5 mm ... 6 mm

## Environmental and real-life conditions

### Ambient conditions

# SACC-MS-4QO-0,34-M SCO - Connector



1521575

<https://www.phoenixcontact.com/us/products/1521575>

Degree of protection	IP65
	IP67
Ambient temperature (operation) (male connector/female connector)	-25 °C ... 80 °C (Plug / socket)
Ambient temperature (assembly)	-5 °C ... 50 °C (During assembly)

## Standards and regulations

Standard designation	M12 connector
Standards/specifications	according to IEC 61076-2-101

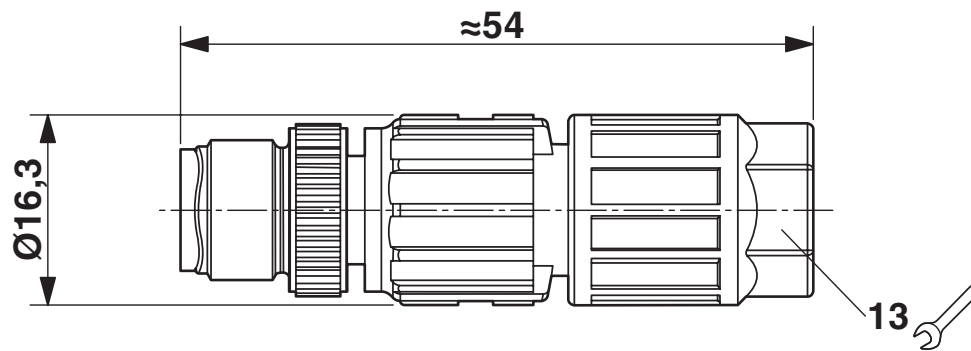
# SACC-MS-4QO-0,34-M SCO - Connector

1521575

<https://www.phoenixcontact.com/us/products/1521575>

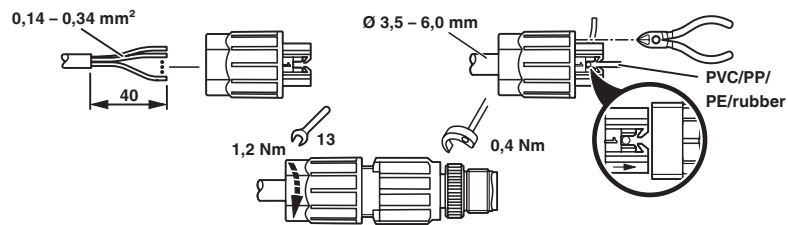
## Drawings

Dimensional drawing



Plug, M12 x 1, straight

Functional drawing



# SACC-MS-4QO-0,34-M SCO - Connector

1521575

<https://www.phoenixcontact.com/us/products/1521575>



Schematic diagram



Pin assignment M12 plug, 4-pos., A-coded, view plug side

# SACC-MS-4QO-0,34-M SCO - Connector




1521575

<https://www.phoenixcontact.com/us/products/1521575>

## Approvals

To download certificates, visit the product detail page: <https://www.phoenixcontact.com/us/products/1521575>

 <b>cUL Recognized</b> Approval ID: E118976				
	Nominal voltage $U_N$	Nominal current $I_N$	Cross section AWG	Cross section $\text{mm}^2$
keine				
	300 V	4 A	-	-

 <b>UL Recognized</b> Approval ID: E118976				
	Nominal voltage $U_N$	Nominal current $I_N$	Cross section AWG	Cross section $\text{mm}^2$
keine				
	300 V	4 A	-	-

# SACC-MS-4QO-0,34-M SCO - Connector



1521575

<https://www.phoenixcontact.com/us/products/1521575>

## Classifications

### ECLASS

ECLASS-13.0	27440116
ECLASS-15.0	27440116

### ETIM

ETIM 10.0	EC002635
-----------	----------

### UNSPSC

UNSPSC 21.0	39121400
-------------	----------

# SACC-MS-4QO-0,34-M SCO - Connector



1521575

<https://www.phoenixcontact.com/us/products/1521575>

## Environmental product compliance

### EU RoHS

Fulfills EU RoHS substance requirements	Yes, No exemptions
---	--------------------

### China RoHS

Environment friendly use period (EFUP)	EFUP-E
	No hazardous substances above the limits

### EU REACH SVHC

REACH candidate substance (CAS No.)	No substance above 0.1 wt%
-------------------------------------	----------------------------

Phoenix Contact 2026 © - all rights reserved  
<https://www.phoenixcontact.com>

Phoenix Contact USA  
586 Fulling Mill Road  
Middletown, PA 17057, United States  
(+717) 944-1300  
[info@phoenixcon.com](mailto:info@phoenixcon.com)