

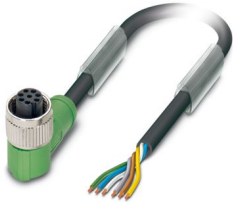
SAC-6P-M12FR-PURMC/ - Master cable



1520987

<https://www.phoenixcontact.com/us/products/1520987>

Please be informed that the data shown in this PDF document is generated from our online catalog. Please find the complete data in the user documentation. Our general terms of use for downloads are valid.



Master cable, application: Sensor/actuator box, connection method: M8 socket Metal, number of slots: 4, number of positions: 6, coding: A, slot assignment: single, status display: no, Universal; master cable connection: M12 plug connection, PUR/PVC, cable length: 0.5 m ... 50 m, shielding: no

Commercial data

Item number	1520987
Packing unit	1 pc
Minimum order quantity	1 pc
Note	Made to order (non-returnable)
Sales key	BF17
Product key	AF1CFA
Customs tariff number	85444290
Country of origin	PL

SAC-6P-M12FR-PURMC/ - Master cable

1520987

<https://www.phoenixcontact.com/us/products/1520987>

Technical data

Product properties

Product type	Master cable, assembled
Application	Sensor/actuator box
Number of positions	6
Number of slots	4
Coding	A

Electrical properties

Nominal voltage U_N	30 V AC
	30 V DC

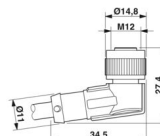
Connection data

Connection method	Fixed connection
-------------------	------------------

Signaling

Status display present	no
------------------------	----

Dimensions

Dimensional drawing	
Width	34.5 mm
Height	14.8 mm
Length	27.4 mm

Material specifications

Material Housing	PUR
Material Threaded sleeve	Cu alloy
Flammability rating according to UL 94	HB
Seal material	NBR
Contact material	CuZn
Contact surface material	Ni/Au
Contact carrier material	TPU GF

Connector

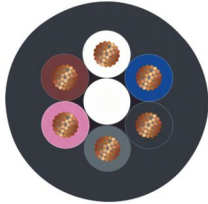
Connection 1	
Coding type	A

Cable/line

SAC-6P-M12FR-PURMC/ - Master cable

1520987

<https://www.phoenixcontact.com/us/products/1520987>

Cable length	Free input (0.5 ... 50 m)
PUR halogen-free black [PUR]	
Dimensional drawing	
Cable weight	34 kg/km
Number of positions	6
Shielded	no
Cable type	PUR halogen-free black [PUR]
Conductor structure signal line	32x 0.10 mm
AWG signal line	24
Conductor cross-section	6x 0.25 mm ² (Signal line)
Wire diameter incl. insulation	1.17 mm ±0.02 mm
External cable diameter	5 mm 5.00 mm ±0.15 mm
Outer sheath, material	PUR
External sheath, color	black-gray RAL 7021
Conductor material	Bare Cu litz wires
Material, filler	PE
Material wire insulation	PP
Single wire, color	brown, white, blue, black, gray, pink
Thickness, insulation	≥ 0.21 mm (Core insulation)
Thickness, outer sheath	approx. 0.70 mm
Overall twist	Six cores around the filler to the core
Max. conductor resistance	78 Ω/km (at 20 °C)
Insulation resistance	≥ 100 MΩ*km (at 20 °C)
Nominal voltage, cable	≤ 300 V
Test voltage	≥ 3000 V
Minimum bending radius, fixed installation	5 x D
Minimum bending radius, flexible installation	10 x D
Smallest bending radius, fixed installation	25 mm
Smallest bending radius, movable installation	50 mm
Dynamic load capacity (bending)	Max. bending cycles: 10000000, Bending radius: 50 mm, Traversing path: 10 m, Traversing rate: 3 m/s, Acceleration: 10 m/s ²
Dynamic load capacity (torsion)	Torsion: ±180 °/m, Torsion cycles: ≥5000000, Torsional frequency: 35 cycles/min.
Halogen-free	in accordance with DIN VDE 0472 part 815
Flame resistance	in accordance with DIN UL-Style 20549

SAC-6P-M12FR-PURMC/ - Master cable



1520987

<https://www.phoenixcontact.com/us/products/1520987>

Resistance to oil	in accordance with DIN EN 60811-2-1
Other resistance	Highly resistant to acids, alkaline solutions and solvents
	hydrolysis and microbe resistant
	partly UV-resistant (in accordance with DIN EN ISO 4892-2-A)
Special properties	Flexible cable conduit capable
	Silicone-free
	Free of substances which would hinder coating with paint or varnish
Ambient temperature (operation)	-40 °C ... 80 °C (cable, fixed installation)
	-5 °C ... 80 °C (Cable, flexible installation)

Environmental and real-life conditions

Ambient conditions

Degree of protection	IP65
	IP67
	IP68
Ambient temperature (operation) (male connector/female connector)	-25 °C ... 80 °C (Plug / socket)

Standards and regulations

Standard designation	M12 connector
Standards/specifications	IEC 61076-2-101

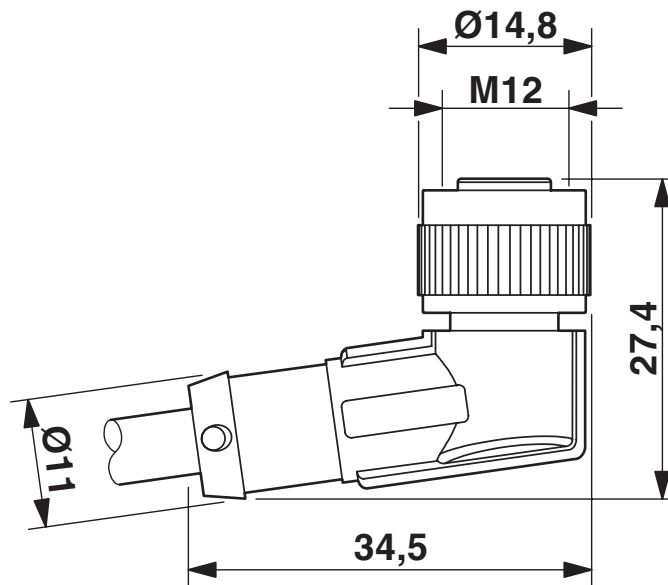
SAC-6P-M12FR-PURMC/ - Master cable

1520987

<https://www.phoenixcontact.com/us/products/1520987>

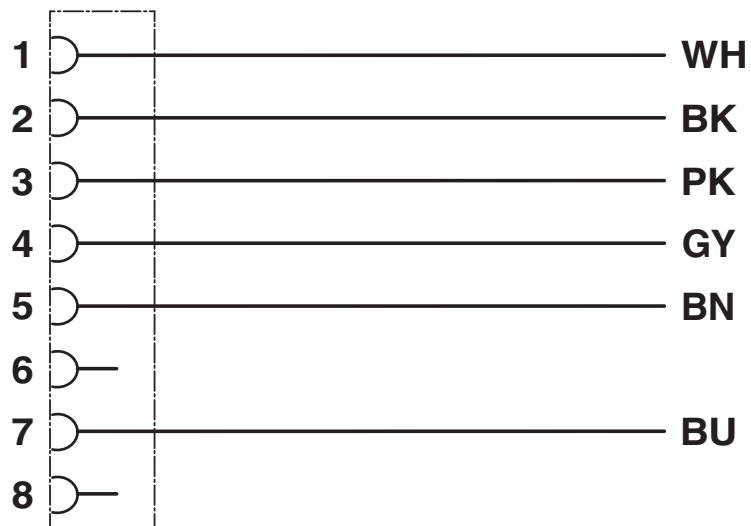
Drawings

Dimensional drawing



M12 x 1 socket, angled

Circuit diagram



SAC-6P-M12FR-PURMC/ - Master cable




1520987

<https://www.phoenixcontact.com/us/products/1520987>

Approvals

To download certificates, visit the product detail page: <https://www.phoenixcontact.com/us/products/1520987>

 UL Listed Approval ID: FILE E 221474				
	Nominal voltage U_N	Nominal current I_N	Cross section AWG	Cross section mm^2
keine				
	125 V	4 A	-	-

 cUL Listed Approval ID: FILE E 221474				
	Nominal voltage U_N	Nominal current I_N	Cross section AWG	Cross section mm^2
keine				
	125 V	4 A	-	-

 EAC-RoHS Approval ID: RU D-DE.HB35.B.00387				
--	--	--	--	--

SAC-6P-M12FR-PURMC/ - Master cable



1520987

<https://www.phoenixcontact.com/us/products/1520987>

Classifications

ECLASS

ECLASS-13.0	27060311
ECLASS-15.0	27060311

ETIM

ETIM 10.0	EC001855
-----------	----------

UNSPSC

UNSPSC 21.0	26121600
-------------	----------

SAC-6P-M12FR-PURMC/ - Master cable



1520987

<https://www.phoenixcontact.com/us/products/1520987>

Environmental product compliance

EU RoHS

Fulfills EU RoHS substance requirements	Yes, No exemptions
---	--------------------

China RoHS

Environment friendly use period (EFUP)	EFUP-E
	No hazardous substances above the limits

EU REACH SVHC

REACH candidate substance (CAS No.)	No substance above 0.1 wt%
-------------------------------------	----------------------------

EF3.1 Climate Change

CO2e kg	2.436 kg CO2e
---------	---------------

Phoenix Contact 2026 © - all rights reserved
<https://www.phoenixcontact.com>

Phoenix Contact USA
586 Fulling Mill Road
Middletown, PA 17057, United States
(+717) 944-1300
info@phoenixcon.com