

# SACB-4/ 8-L-10,0PUR SCO - Distributor box



1517110

<https://www.phoenixcontact.com/us/products/1517110>

Please be informed that the data shown in this PDF document is generated from our online catalog. Please find the complete data in the user documentation. Our general terms of use for downloads are valid.



Distributor box, application: Standard, extended requirements, connection method: M12 socket Metal, number of slots: 4, number of positions: 5, coding: A, slot assignment: Double, status display: yes, PNP; master cable connection: Fixed connection 180°, PUR/PVC, cable length: 10 m, shielding: no

## Your advantages

- Safety in the field, thanks to molded housing and high degree of protection
- Convenient: increased machine availability thanks to quick and easy diagnostics
- Save space: distributor box with double occupancy for two sensors in one slot
- Save time, thanks to installation with SPEEDCON fast locking system

## Commercial data

Item number	1517110
Packing unit	1 pc
Minimum order quantity	1 pc
Sales key	BF42
Product key	AF3CCA
GTIN	4017918967789
Weight per piece (including packing)	1,614.2 g
Weight per piece (excluding packing)	1,463.9 g
Customs tariff number	85444290
Country of origin	DE

## Technical data

### Notes

Assembly note	<b>NOTE:</b> Observe the permissible bending radii when routing cables, since the degree of protection may be at risk if the bending forces are too high. Reduce mechanical loads upstream of the connector, e.g., by using cable ties.
Note on application	Unused slots are to be sealed off prior to commissioning. Suitable sealing elements are to be found under "Accessories".

### Product properties

Product type	Distributor box
Application	Standard, extended requirements
Number of positions	5
Number of slots	4
Coding	A
LED	yes

### System properties

#### Local diagnostics

Monitored function	Supply voltage
Optical representation	Green LED

### Electrical properties

Max. operating voltage $U_{max}$	30 V DC
Local diagnostics	Supply voltage Green LED
	Status display I/O Yellow LED
Nominal voltage $U_N$	24 V DC
Rated current, total	12 A
Max. current carrying capacity per path	2 A
Current carrying capacity per slot	4 A

### Connection data

#### Conductor connection

Sensor/actuator connection system	M12 socket
Tightening torque slot sensor/actuator cable	0.4 Nm
Tightening torque of mounting screw for fixing the housing	0.5 Nm

#### Connection assignment

Slot/position = Wire color or connection	1 / 4 (A) = WH
	1 / 2 (B) = GYPK
	2 / 4 (A) = GN
	2 / 2 (B) = RDBU
	3 / 4 (A) = YE

# SACB-4/ 8-L-10,0PUR SCO - Distributor box



1517110

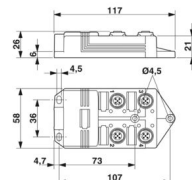
<https://www.phoenixcontact.com/us/products/1517110>

	3 / 2 (B) = WHGN
	4 / 4 (A) = GY
	4 / 2 (B) = BNGN
	1-4 / 1 (+ 24 V) = BN
	1-4 / 3 (0 V) = BU
	1-4 / 5 (PE) = GNYE

## Signaling

Status display present	yes
------------------------	-----

## Dimensions

Dimensional drawing	
Width	58 mm
Height	26 mm
Length	117 mm

## Material specifications

Material Threaded sleeve	Die-cast zinc
Material Housing	PBT
Material Molding compound	PUR
Flammability rating according to UL 94	V0
Seal material O-ring	NBR
Contact material	Cu alloy
Contact surface material	gold-plated
Contact carrier material	PA

## Cable/line

Cable length	10 m
--------------	------

PUR/PVC black [PUR]

Dimensional drawing	
Cable weight	122 kg/km

# SACB-4/ 8-L-10,0PUR SCO - Distributor box



1517110

<https://www.phoenixcontact.com/us/products/1517110>

UL AWM Style	20549
Number of positions	11
Shielded	no
Cable type	PUR/PVC black [PUR]
Conductor structure signal line	28x 0.15 mm
AWG signal line	20
Conductor structure, voltage supply	56x 0.15 mm
AWG power supply	17
Conductor cross-section	8x 0.5 mm <sup>2</sup> (Signal line) 3x 1 mm <sup>2</sup> (power line)
Wire diameter incl. insulation	1.5 mm ±0.1 mm (Signal line) 2.1 mm ±0.1 mm (power line)
External cable diameter	8.70 mm ±0.2 mm
Outer sheath, material	PUR
External sheath, color	black RAL 9005
Conductor material	Bare Cu litz wires
Material wire insulation	PVC
Single wire, color	brown, blue, green/yellow, white, green, yellow, gray, gray/pink, red/blue, white/green, brown/green
Inner sheath thickness	≥ 0.15 mm
Thickness, outer sheath	≥ 0.38 mm
Overall twist	Wires twisted in layers
Nominal voltage, cable	300 V
Test voltage	2000 V
Minimum bending radius, fixed installation	7.5 x D
Minimum bending radius, flexible installation	10 x D
Smallest bending radius, fixed installation	66 mm
Smallest bending radius, movable installation	87 mm
Dynamic load capacity (bending)	Max. bending cycles: 1500000, Bending radius: 87 mm, Traversing path: 2 m, Traversing rate: 2 m/s
Flame resistance	DIN EN 50265
Resistance to oil	according to VDE 0472 Part 803
Other resistance	Highly resistant to acids, alkaline solutions and solvents
Special properties	Silicone-free
Ambient temperature (operation)	-40 °C ... 90 °C (cable, fixed installation) -5 °C ... 80 °C (Cable, flexible installation) 80 °C (in acc. with UL)

## Environmental and real-life conditions

### Ambient conditions

Degree of protection	IP65
	IP67
	IP69K
Ambient temperature (operation)	-30 °C ... 90 °C

# SACB-4/ 8-L-10,0PUR SCO - Distributor box



1517110

<https://www.phoenixcontact.com/us/products/1517110>

## Standards and regulations

Standard designation	M12 connector
Standards/specifications	IEC 61076-2-101

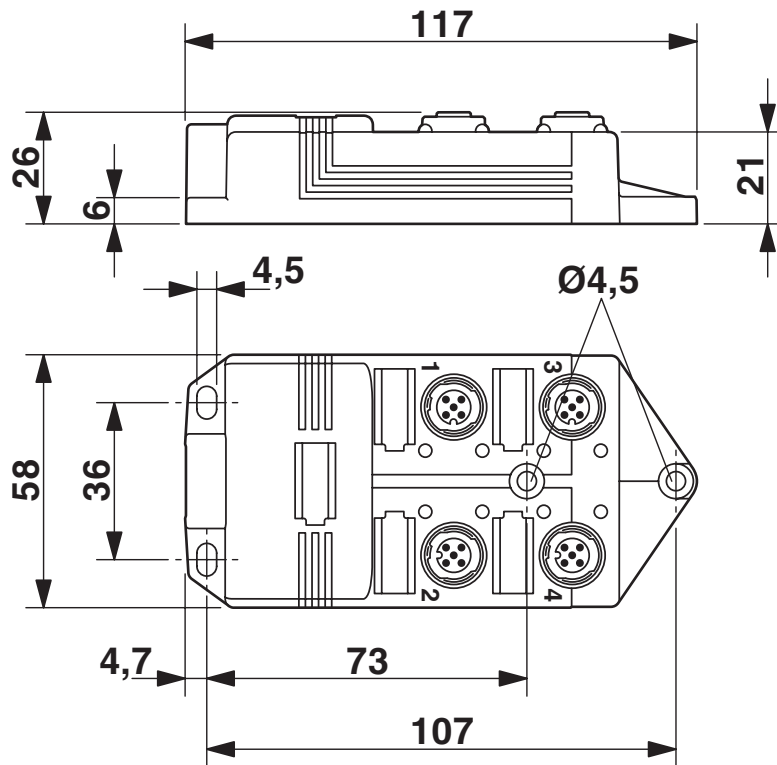
# SACB-4/ 8-L-10,0PUR SCO - Distributor box

1517110

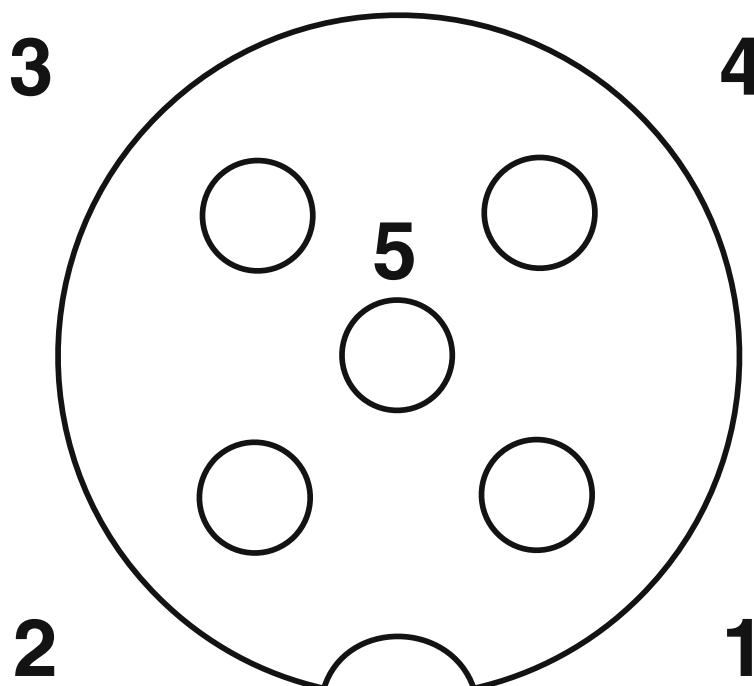
<https://www.phoenixcontact.com/us/products/1517110>

## Drawings

Dimensional drawing



Schematic diagram



M12 slot, socket, 5-pos.

# SACB-4/ 8-L-10,0PUR SCO - Distributor box



1517110

<https://www.phoenixcontact.com/us/products/1517110>

Circuit diagram



# SACB-4/ 8-L-10,0PUR SCO - Distributor box



1517110

<https://www.phoenixcontact.com/us/products/1517110>

## Approvals

To download certificates, visit the product detail page: <https://www.phoenixcontact.com/us/products/1517110>

 <b>cUL Recognized</b> Approval ID: E118976				
	Nominal voltage $U_N$	Nominal current $I_N$	Cross section AWG	Cross section $\text{mm}^2$
keine				
	24 V	3 A	-	-

 <b>UL Recognized</b> Approval ID: E118976				
	Nominal voltage $U_N$	Nominal current $I_N$	Cross section AWG	Cross section $\text{mm}^2$
keine				
	24 V	3 A	-	-

# SACB-4/ 8-L-10,0PUR SCO - Distributor box



1517110

<https://www.phoenixcontact.com/us/products/1517110>

## Classifications

### ECLASS

ECLASS-13.0	27440108
ECLASS-15.0	27440108

### ETIM

ETIM 10.0	EC002585
-----------	----------

### UNSPSC

UNSPSC 21.0	31251500
-------------	----------

# SACB-4/ 8-L-10,0PUR SCO - Distributor box



1517110

<https://www.phoenixcontact.com/us/products/1517110>

## Environmental product compliance

### EU RoHS

Fulfills EU RoHS substance requirements	Yes, No exemptions
---	--------------------

### China RoHS

Environment friendly use period (EFUP)	EFUP-E
	No hazardous substances above the limits

### EU REACH SVHC

REACH candidate substance (CAS No.)	No substance above 0.1 wt%
-------------------------------------	----------------------------

Phoenix Contact 2026 © - all rights reserved  
<https://www.phoenixcontact.com>

Phoenix Contact USA  
586 Fulling Mill Road  
Middletown, PA 17057, United States  
(+717) 944-1300  
[info@phoenixcon.com](mailto:info@phoenixcon.com)