

# SACB-8/ 8-C SCO - Distributor box



1516881

<https://www.phoenixcontact.com/us/products/1516881>

Please be informed that the data shown in this PDF document is generated from our online catalog. Please find the complete data in the user documentation. Our general terms of use for downloads are valid.



Distributor box, application: Standard, extended requirements, connection method: M12 socket Metal, number of slots: 8, number of positions: 4, coding: A, slot assignment: single, status display: no, Universal; master cable connection: Pluggable screw connection 180°, shielding: no

## Your advantages

- Safety in the field, thanks to molded housing and high degree of protection
- Save time, thanks to installation with SPEEDCON fast locking system
- Flexible: distributor box with connector hood for on-site assembly

## Commercial data

Item number	1516881
Packing unit	1 pc
Minimum order quantity	1 pc
Sales key	BF42
Product key	AF3CCD
GTIN	4017918967611
Weight per piece (including packing)	365 g
Weight per piece (excluding packing)	370 g
Customs tariff number	85366990
Country of origin	DE

# SACB-8/ 8-C SCO - Distributor box



1516881

<https://www.phoenixcontact.com/us/products/1516881>

## Technical data

### Notes

Note regarding documentation	For details about the PCB connectors used, refer to the technical data for MC 1,5/10-STF-3,5 (1847204)
Assembly note	<b>NOTE:</b> Observe the permissible bending radii when routing cables, since the degree of protection may be at risk if the bending forces are too high. Reduce mechanical loads upstream of the connector, e.g., by using cable ties.
Note on application	Unused slots are to be sealed off prior to commissioning. Suitable sealing elements are to be found under "Accessories".

### Product properties

Product type	Distributor box
Application	Standard, extended requirements
Number of positions	4
Number of slots	8
Coding	A
LED	no

### Electrical properties

Max. operating voltage $U_{max}$	135 V
Nominal voltage $U_N$	120 V AC
	120 V DC
Rated current, total	10 A
	2x 8 A (For electrical isolation)
Max. current carrying capacity per path	2 A
Current carrying capacity per slot	4 A

### Connection data

#### Conductor connection

Sensor/actuator connection system	M12 socket
Conductor cross-section Flexible signal line	0.14 mm <sup>2</sup> ... 1.5 mm <sup>2</sup>
Conductor cross-section Flexible power supply	0.14 mm <sup>2</sup> ... 1.5 mm <sup>2</sup>
Connection cross section AWG Flexible signal line	26 ... 16
Connection cross section AWG Flexible power supply	26 ... 16
Stripping length Signal line	7 mm
Stripping length of the sheath	50 mm (Master cable)
Tightening torque, cover screw	0.35 Nm
Tightening torque slot sensor/actuator cable	0.4 Nm
Tightening torque of mounting screw for fixing the housing	0.5 Nm
Tightening torque, union nut	2.5 Nm

#### Connection assignment

1 / 4 (A) = 1 / 4

# SACB-8/ 8-C SCO - Distributor box



1516881

<https://www.phoenixcontact.com/us/products/1516881>

Slot/position = Wire color or connection	2 / 4 (A) = 2 / 4
	3 / 4 (A) = 3 / 4
	4 / 4 (A) = 4 / 4
	5 / 4 (A) = 5 / 4
	6 / 4 (A) = 6 / 4
	7 / 4 (A) = 7 / 4
	8 / 4 (A) = 8 / 4
	1-8 / 1 (+ 120 V) = U <sub>N</sub>
	1-8 / 3 (0 V) = 0 V
1-8 / 5 (PE) = PE	

## Signaling

Status display present	no
------------------------	----

## Dimensions

Dimensional drawing	
Width	58 mm
Height	45 mm
Length	153 mm

## Material specifications

Material Threaded sleeve	Die-cast zinc
Material Housing	PBT
Material Molding compound	PUR
Flammability rating according to UL 94	V0
Seal material O-ring	NBR
Contact material	Cu alloy
Contact surface material	gold-plated
Contact carrier material	PA
Material of contact, master cable side	CU alloy
Material of the contact carrier on the master cable side	PA 6.6 V0
Material of contact surface, master cable side	gold-plated

## Cable/line

External cable diameter	7 mm ... 12 mm
Connection method	Pluggable screw connection

## Environmental and real-life conditions

Ambient conditions

# SACB-8/ 8-C SCO - Distributor box



1516881

<https://www.phoenixcontact.com/us/products/1516881>

Degree of protection	IP65
	IP67
	IP69K
Ambient temperature (operation)	-30 °C ... 80 °C

## Standards and regulations

Standard designation	M12 connector
Standards/specifications	IEC 61076-2-101

# SACB-8/ 8-C SCO - Distributor box

1516881

<https://www.phoenixcontact.com/us/products/1516881>

## Drawings

Dimensional drawing



Schematic diagram



M12 slot, socket, 4-pos.

# SACB-8/ 8-C SCO - Distributor box

1516881

<https://www.phoenixcontact.com/us/products/1516881>

Schematic diagram



Potential  $U_{N1}$  and  $U_{N2}$  bridged. Potential assignment:  $U_{N1} = U_{N2} =$  slots 1,2,3,4,5,6,7,8.

# SACB-8/ 8-C SCO - Distributor box

1516881

<https://www.phoenixcontact.com/us/products/1516881>

Schematic diagram



Electrically isolated. Potential assignment:  $U_{N1}$  = slots 1,3,5,7 and  $U_{N2}$  = slots 2,4,6,8.

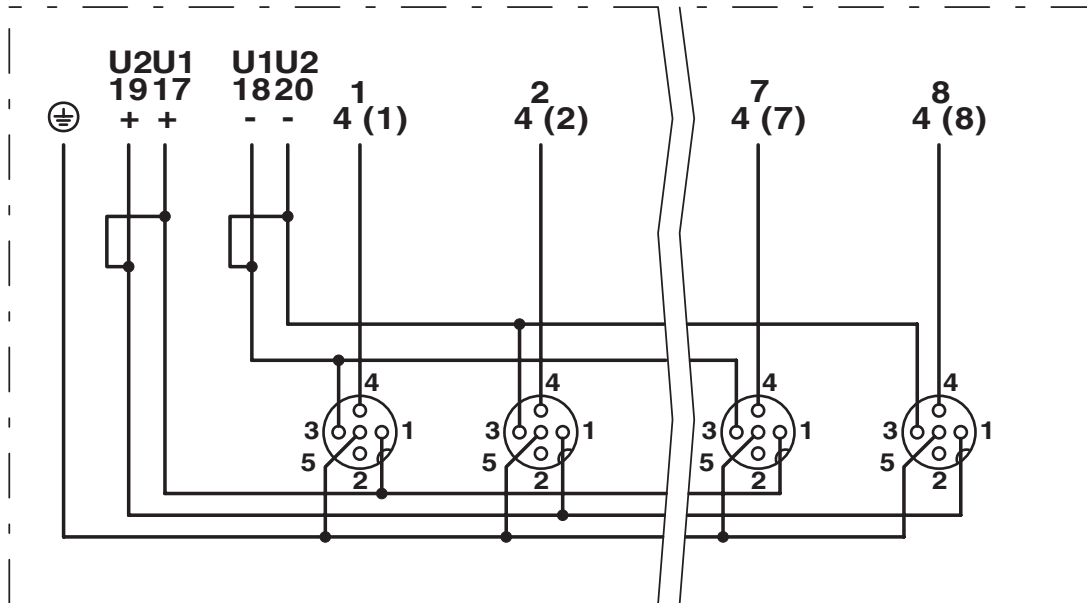
# SACB-8/ 8-C SCO - Distributor box



1516881

<https://www.phoenixcontact.com/us/products/1516881>

Circuit diagram



# SACB-8/ 8-C SCO - Distributor box




1516881

<https://www.phoenixcontact.com/us/products/1516881>

## Approvals

To download certificates, visit the product detail page: <https://www.phoenixcontact.com/us/products/1516881>

 <b>cUL Recognized</b> Approval ID: E118976				
	Nominal voltage $U_N$	Nominal current $I_N$	Cross section AWG	Cross section $\text{mm}^2$
keine				
	120 V	3 A	-	-

 <b>UL Recognized</b> Approval ID: E118976				
	Nominal voltage $U_N$	Nominal current $I_N$	Cross section AWG	Cross section $\text{mm}^2$
keine				
	120 V	3 A	-	-

 <b>EAC</b> Approval ID: RU C-DE.AI30.B.01102				
---	--	--	--	--

# SACB-8/ 8-C SCO - Distributor box



1516881

<https://www.phoenixcontact.com/us/products/1516881>

## Classifications

### ECLASS

ECLASS-13.0	27440111
ECLASS-15.0	27440111

### ETIM

ETIM 10.0	EC003558
-----------	----------

### UNSPSC

UNSPSC 21.0	31251500
-------------	----------

# SACB-8/ 8-C SCO - Distributor box



1516881

<https://www.phoenixcontact.com/us/products/1516881>

## Environmental product compliance

### EU RoHS

Fulfills EU RoHS substance requirements	Yes, No exemptions
---	--------------------

### China RoHS

Environment friendly use period (EFUP)	EFUP-E
	No hazardous substances above the limits

### EU REACH SVHC

REACH candidate substance (CAS No.)	No substance above 0.1 wt%
-------------------------------------	----------------------------

Phoenix Contact 2026 © - all rights reserved  
<https://www.phoenixcontact.com>

Phoenix Contact USA  
586 Fulling Mill Road  
Middletown, PA 17057, United States  
(+717) 944-1300  
[info@phoenixcon.com](mailto:info@phoenixcon.com)