

SACB-4/ 4-C SCO - Distributor box



1516849

<https://www.phoenixcontact.com/us/products/1516849>

Please be informed that the data shown in this PDF document is generated from our online catalog. Please find the complete data in the user documentation. Our general terms of use for downloads are valid.



Similar to figure, housing is black,
contact carriers are green

Distributor box, application: Standard, extended requirements, connection method: M12 socket Metal, number of slots: 4, number of positions: 4, coding: A, slot assignment: single, status display: no, Universal; master cable connection: Pluggable screw connection 180°, shielding: no

Your advantages

- Safety in the field, thanks to molded housing and high degree of protection
- Save time, thanks to installation with SPEEDCON fast locking system
- Flexible: distributor box with connector hood for on-site assembly

Commercial data

| | |
|--------------------------------------|---------------|
| Item number | 1516849 |
| Packing unit | 1 pc |
| Minimum order quantity | 1 pc |
| Sales key | BF42 |
| Product key | AF3CCD |
| GTIN | 4017918967574 |
| Weight per piece (including packing) | 246.4 g |
| Weight per piece (excluding packing) | 208.93 g |
| Customs tariff number | 85366990 |
| Country of origin | DE |

SACB-4/ 4-C SCO - Distributor box



1516849

<https://www.phoenixcontact.com/us/products/1516849>

Technical data

Notes

| | |
|------------------------------|---|
| Note regarding documentation | For details about the PCB connectors used, refer to the technical data for MC 1,5/10-STF-3,5 (1847204) |
| Assembly note | NOTE: Observe the permissible bending radii when routing cables, since the degree of protection may be at risk if the bending forces are too high. Reduce mechanical loads upstream of the connector, e.g., by using cable ties. |
| Note on application | Unused slots are to be sealed off prior to commissioning. Suitable sealing elements are to be found under "Accessories". |

Product properties

| | |
|---------------------|---------------------------------|
| Product type | Distributor box |
| Application | Standard, extended requirements |
| Number of positions | 4 |
| Number of slots | 4 |
| Coding | A |
| LED | no |

Electrical properties

| | |
|---|-----------------------------------|
| Max. operating voltage U_{max} | 135 V |
| Nominal voltage U_N | 120 V AC |
| | 120 V DC |
| Rated current, total | 10 A |
| | 2x 8 A (For electrical isolation) |
| Max. current carrying capacity per path | 2 A |
| Current carrying capacity per slot | 4 A |

Connection data

Conductor connection

| | |
|--|--|
| Sensor/actuator connection system | M12 socket |
| Conductor cross-section Flexible signal line | 0.14 mm ² ... 1.5 mm ² |
| Conductor cross-section Flexible power supply | 0.14 mm ² ... 1.5 mm ² |
| Connection cross section AWG Flexible signal line | 26 ... 16 |
| Connection cross section AWG Flexible power supply | 26 ... 16 |
| Stripping length Signal line | 7 mm |
| Stripping length of the sheath | 50 mm (Master cable) |
| Tightening torque, cover screw | 0.35 Nm |
| Tightening torque slot sensor/actuator cable | 0.4 Nm |
| Tightening torque of mounting screw for fixing the housing | 0.5 Nm |
| Tightening torque, union nut | 2.5 Nm |

Connection assignment

1 / 4 (A) = 1 / 4

SACB-4/ 4-C SCO - Distributor box

1516849

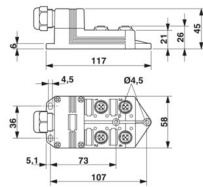
<https://www.phoenixcontact.com/us/products/1516849>

| | |
|--|------------------------------------|
| Slot/position = Wire color or connection | 2 / 4 (A) = 2 / 4 |
| | 3 / 4 (A) = 3 / 4 |
| | 4 / 4 (A) = 4 / 4 |
| | 1-4 / 1 (+ 120 V) = U _N |
| | 1-4 / 3 (0 V) = 0 V |
| | 1-4 / 5 (PE) = PE |

Signaling

| | |
|------------------------|----|
| Status display present | no |
|------------------------|----|

Dimensions

| | |
|---------------------|---|
| Dimensional drawing |  |
| Width | 58 mm |
| Height | 45 mm |
| Length | 117 mm |

Material specifications

| | |
|--|---------------|
| Material Threaded sleeve | Die-cast zinc |
| Material Housing | PBT |
| Material Molding compound | PUR |
| Flammability rating according to UL 94 | V0 |
| Seal material O-ring | NBR |
| Contact material | Cu alloy |
| Contact surface material | gold-plated |
| Contact carrier material | PA |
| Material of contact, master cable side | CU alloy |
| Material of the contact carrier on the master cable side | PA 6.6 V0 |
| Material of contact surface, master cable side | gold-plated |

Cable/line

| | |
|-------------------------|----------------------------|
| External cable diameter | 7 mm ... 12 mm |
| Connection method | Pluggable screw connection |

Environmental and real-life conditions

Ambient conditions

| | |
|---------------------------------|------------------|
| Degree of protection | IP65 |
| | IP67 |
| | IP69K |
| Ambient temperature (operation) | -30 °C ... 80 °C |

SACB-4/ 4-C SCO - Distributor box



1516849

<https://www.phoenixcontact.com/us/products/1516849>

Standards and regulations

| | |
|--------------------------|-----------------|
| Standard designation | M12 connector |
| Standards/specifications | IEC 61076-2-101 |

SACB-4/ 4-C SCO - Distributor box

1516849

<https://www.phoenixcontact.com/us/products/1516849>

Drawings

Dimensional drawing



Schematic diagram



M12 slot, socket, 4-pos.

SACB-4/ 4-C SCO - Distributor box

1516849

<https://www.phoenixcontact.com/us/products/1516849>



Schematic diagram



Potential U_{N1} and U_{N2} bridged. Potential assignment: $U_{N1} = U_{N2} = \text{slots } 1,2,3,4.$

SACB-4/ 4-C SCO - Distributor box

1516849

<https://www.phoenixcontact.com/us/products/1516849>



Schematic diagram



Electrically isolated. Potential assignment: U_{N1} = slots 1,3 and U_{N2} = slots 2,4.

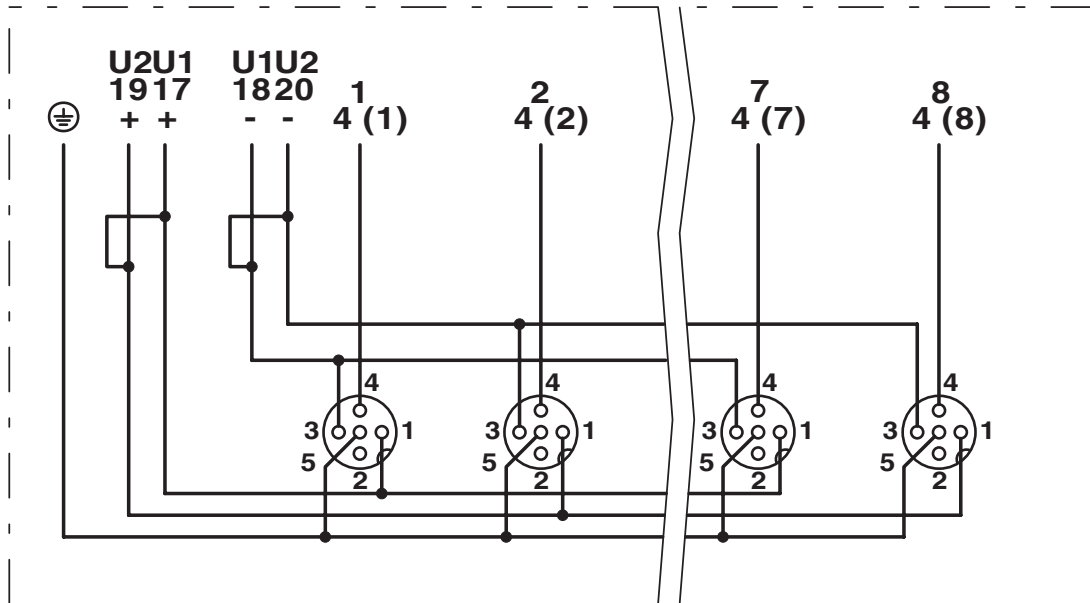
SACB-4/ 4-C SCO - Distributor box



1516849

<https://www.phoenixcontact.com/us/products/1516849>

Circuit diagram



SACB-4/ 4-C SCO - Distributor box




1516849

<https://www.phoenixcontact.com/us/products/1516849>

Approvals

To download certificates, visit the product detail page: <https://www.phoenixcontact.com/us/products/1516849>

|  cUL Recognized Approval ID: E118976 | | | | |
|---|-----------------------|-----------------------|-------------------|-----------------------------|
| | Nominal voltage U_N | Nominal current I_N | Cross section AWG | Cross section mm^2 |
| keine | | | | |
| | 120 V | 3 A | - | - |

|  UL Recognized Approval ID: E118976 | | | | |
|--|-----------------------|-----------------------|-------------------|-----------------------------|
| | Nominal voltage U_N | Nominal current I_N | Cross section AWG | Cross section mm^2 |
| keine | | | | |
| | 120 V | 3 A | - | - |

|  EAC Approval ID: RU C-DE.AI30.B.01102 | | | | |
|---|--|--|--|--|
|---|--|--|--|--|

SACB-4/ 4-C SCO - Distributor box



1516849

<https://www.phoenixcontact.com/us/products/1516849>

Classifications

ECLASS

| | |
|-------------|----------|
| ECLASS-13.0 | 27440111 |
| ECLASS-15.0 | 27440111 |

ETIM

| | |
|-----------|----------|
| ETIM 10.0 | EC003558 |
|-----------|----------|

UNSPSC

| | |
|-------------|----------|
| UNSPSC 21.0 | 31251500 |
|-------------|----------|

SACB-4/ 4-C SCO - Distributor box



1516849

<https://www.phoenixcontact.com/us/products/1516849>

Environmental product compliance

EU RoHS

| | |
|---|--------------------|
| Fulfills EU RoHS substance requirements | Yes, No exemptions |
|---|--------------------|

China RoHS

| | |
|--|--|
| Environment friendly use period (EFUP) | EFUP-E |
| | No hazardous substances above the limits |

EU REACH SVHC

| | |
|-------------------------------------|----------------------------|
| REACH candidate substance (CAS No.) | No substance above 0.1 wt% |
|-------------------------------------|----------------------------|

Phoenix Contact 2026 © - all rights reserved
<https://www.phoenixcontact.com>

Phoenix Contact USA
586 Fulling Mill Road
Middletown, PA 17057, United States
(+717) 944-1300
info@phoenixcon.com