

# SACB-4/ 4-L-C GG SCO - Distributor box header



1516726

<https://www.phoenixcontact.com/us/products/1516726>

Please be informed that the data shown in this PDF document is generated from our online catalog. Please find the complete data in the user documentation. Our general terms of use for downloads are valid.



Distributor box header, application: Standard, extended requirements, connection method: M12 socket Metal, number of slots: 4, number of positions: 4, coding: A, slot assignment: single, status display: yes, PNP; master cable connection: Pluggable screw connection, shielding: no

## Commercial data

|                                      |               |
|--------------------------------------|---------------|
| Item number                          | 1516726       |
| Packing unit                         | 1 pc          |
| Minimum order quantity               | 1 pc          |
| Sales key                            | BF42          |
| Product key                          | AF3CCD        |
| GTIN                                 | 4017918967451 |
| Weight per piece (including packing) | 195.5 g       |
| Weight per piece (excluding packing) | 192.5 g       |
| Customs tariff number                | 85366990      |
| Country of origin                    | DE            |

# SACB-4/ 4-L-C GG SCO - Distributor box header



1516726

<https://www.phoenixcontact.com/us/products/1516726>

## Technical data

### Notes

|                     |   |
|---------------------|---|
| Assembly note       | <b>NOTE:</b> Observe the permissible bending radii when routing cables, since the degree of protection may be at risk if the bending forces are too high. Reduce mechanical loads upstream of the connector, e.g., by using cable ties. |
| Note on application | Unused slots are to be sealed off prior to commissioning. Suitable sealing elements are to be found under "Accessories".  |

### Product properties

|                     |                                      |
|---------------------|--------------------------------------|
| Product type        | Header with metric measurement slots |
| Application         | Standard, extended requirements      |
| Number of positions | 4                                    |
| Number of slots     | 4                                    |
| Coding              | A                                    |
| LED                 | yes                                  |

### System properties

#### Local diagnostics

|                        |                           |
|------------------------|---------------------------|
| Monitored function     | Supply voltage per module |
| Optical representation | Green LED                 |

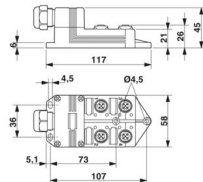
### Electrical properties

|   |                                     |
|---|-------------------------------------|
| Max. operating voltage $U_{max}$        | 30 V DC                             |
| Local diagnostics                       | Supply voltage per module Green LED |
|   | Status display I/O Yellow LED       |
| Nominal voltage $U_N$                   | 24 V DC                             |
| Rated current, total                    | 10 A                                |
|   | 2x 8 A (For electrical isolation)   |
| Max. current carrying capacity per path | 2 A                                 |
| Current carrying capacity per slot      | 4 A                                 |

### Signaling

|                        |     |
|------------------------|-----|
| Status display present | yes |
|------------------------|-----|

### Dimensions

|                     |  |
|---------------------|--|
| Dimensional drawing |  |
| Width               | 58 mm  |

# SACB-4/ 4-L-C GG SCO - Distributor box header



1516726

<https://www.phoenixcontact.com/us/products/1516726>

|        |        |
|--------|--------|
| Height | 26 mm  |
| Length | 117 mm |

## Material specifications

|  |               |
|--|---------------|
| Material Threaded sleeve                                 | Die-cast zinc |
| Material Housing   | PBT           |
| Material Molding compound                                | PUR           |
| Flammability rating according to UL 94                   | V0            |
| Seal material O-ring                                     | NBR           |
| Contact material   | Cu alloy      |
| Contact surface material                                 | gold-plated   |
| Contact carrier material                                 | PA            |
| Material of contact, master cable side                   | CU alloy      |
| Material of the contact carrier on the master cable side | PA 6.6 V0     |
| Material of contact surface, master cable side           | gold-plated   |

## Cable/line

|                   |                            |
|-------------------|----------------------------|
| Connection method | Pluggable screw connection |
|-------------------|----------------------------|

## Environmental and real-life conditions

### Ambient conditions

|                                 |                  |
|---------------------------------|------------------|
| Degree of protection            | IP65             |
|                                 | IP67             |
|                                 | IP69K            |
| Ambient temperature (operation) | -30 °C ... 80 °C |

## Standards and regulations

|                          |                 |
|--------------------------|-----------------|
| Standard designation     | M12 connector   |
| Standards/specifications | IEC 61076-2-101 |

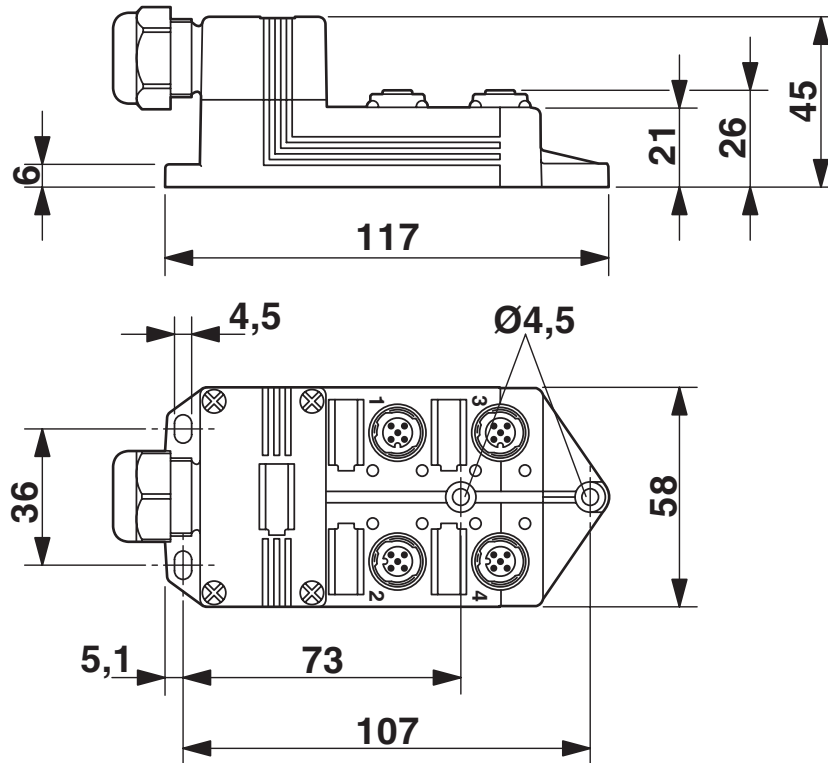
# SACB-4/ 4-L-C GG SCO - Distributor box header

1516726

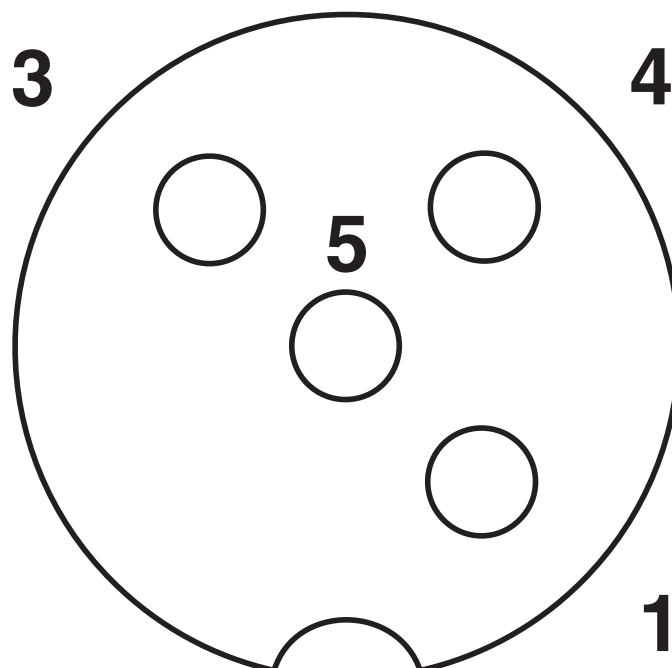
<https://www.phoenixcontact.com/us/products/1516726>

## Drawings

Dimensional drawing



Schematic diagram



M12 slot, socket, 4-pos.

# SACB-4/ 4-L-C GG SCO - Distributor box header

1516726

<https://www.phoenixcontact.com/us/products/1516726>

Schematic diagram



Potential  $U_{N1}$  and  $U_{N2}$  bridged. Potential assignment:  $U_{N1} = U_{N2} = \text{slots } 1,2,3,4.$

# SACB-4/ 4-L-C GG SCO - Distributor box header

1516726

<https://www.phoenixcontact.com/us/products/1516726>

Schematic diagram



Electrically isolated. Potential assignment:  $U_{N1}$  = slots 1,3 and  $U_{N2}$  = slots 2,4.

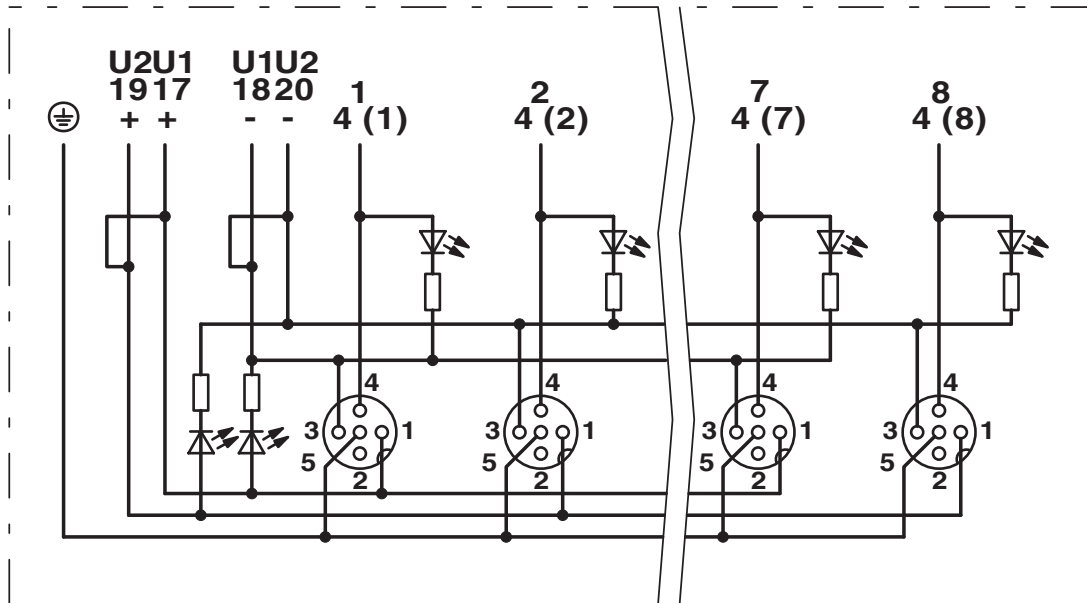
# SACB-4/ 4-L-C GG SCO - Distributor box header



1516726

<https://www.phoenixcontact.com/us/products/1516726>

Circuit diagram



# SACB-4/ 4-L-C GG SCO - Distributor box header



1516726

<https://www.phoenixcontact.com/us/products/1516726>

## Approvals

To download certificates, visit the product detail page: <https://www.phoenixcontact.com/us/products/1516726>

|  <b>cUL Recognized</b><br>Approval ID: E118976 |                       |                       |                   |                             |
|---|-----------------------|-----------------------|-------------------|-----------------------------|
|   | Nominal voltage $U_N$ | Nominal current $I_N$ | Cross section AWG | Cross section $\text{mm}^2$ |
| keine   |                       |                       |                   |                             |
|   | 24 V                  | 3 A                   | -                 | -                           |

|  <b>UL Recognized</b><br>Approval ID: E118976 |                       |                       |                   |                             |
|--|-----------------------|-----------------------|-------------------|-----------------------------|
|  | Nominal voltage $U_N$ | Nominal current $I_N$ | Cross section AWG | Cross section $\text{mm}^2$ |
| keine  |                       |                       |                   |                             |
|  | 24 V                  | 3 A                   | -                 | -                           |

# SACB-4/ 4-L-C GG SCO - Distributor box header



1516726

<https://www.phoenixcontact.com/us/products/1516726>

## Classifications

### ECLASS

|             |          |
|-------------|----------|
| ECLASS-13.0 | 27440111 |
| ECLASS-15.0 | 27440111 |

### ETIM

|           |          |
|-----------|----------|
| ETIM 10.0 | EC003558 |
|-----------|----------|

### UNSPSC

|             |          |
|-------------|----------|
| UNSPSC 21.0 | 31251500 |
|-------------|----------|

# SACB-4/ 4-L-C GG SCO - Distributor box header



1516726

<https://www.phoenixcontact.com/us/products/1516726>

## Environmental product compliance

### EU RoHS

|   |                    |
|---|--------------------|
| Fulfills EU RoHS substance requirements | Yes, No exemptions |
|---|--------------------|

### China RoHS

|  |  |
|--|--|
| Environment friendly use period (EFUP) | EFUP-E                                   |
|  | No hazardous substances above the limits |

### EU REACH SVHC

|                                     |                            |
|-------------------------------------|----------------------------|
| REACH candidate substance (CAS No.) | No substance above 0.1 wt% |
|-------------------------------------|----------------------------|

Phoenix Contact 2026 © - all rights reserved  
<https://www.phoenixcontact.com>

Phoenix Contact USA  
586 Fulling Mill Road  
Middletown, PA 17057, United States  
(+717) 944-1300  
[info@phoenixcon.com](mailto:info@phoenixcon.com)