

# SAC-6P-S15MS/ 0,6-PUR/S15FS PE - Power cable



1514503

<https://www.phoenixcontact.com/us/products/1514503>

Please be informed that the data shown in this PDF document is generated from our online catalog. Please find the complete data in the user documentation. Our general terms of use for downloads are valid.



Power cable, 6-position, PUR halogen-free, black, Plug straight Size 15 Bayonet locking, on Socket straight Size 15 Bayonet locking, cable length: 0.6 m, For alternating current up to 16 A/600 V

## Your advantages

- Protection against mismatching, thanks to special coding

## Commercial data

Item number	1514503
Packing unit	1 pc
Minimum order quantity	1 pc
Sales key	BF05
Product key	AF1CDQ
GTIN	4063151978433
Weight per piece (including packing)	225.7 g
Weight per piece (excluding packing)	225 g
Customs tariff number	85444290
Country of origin	DE

1514503

<https://www.phoenixcontact.com/us/products/1514503>

## Technical data

### Product properties

Product type	Power cable
Application	Energy supply
Number of positions	6
Shielded	no

### Insulation characteristics

Degree of pollution	3
---------------------	---

### Material specifications

Flammability rating according to UL 94	V0
Material of grip body	PUR
Contact material	Cu alloy
Contact surface material	Ag
Contact carrier material	PA
Material for screw connection	not available
Outer sheath, material	PUR
Conductor material	Bare Cu litz wires

### Electrical properties

Nominal voltage $U_N$	600 V AC (Power)
	63 V (Signal)
Nominal current $I_N$	16 A (Power)
	10 A (Signal)
Max. conductor resistance	7.98 $\Omega/m$

### Mechanical properties

#### Mechanical data

Max. bending cycles	5000000
---------------------	---------

### Connector

#### Connection 1

Type	Plug straight Size 15 Bayonet locking
Number of positions	6
Locking type	Bayonet locking

#### Connection 2

Type	Socket straight Size 15 Bayonet locking
Number of positions	6
Locking type	Bayonet locking

### Cable/line

# SAC-6P-S15MS/ 0,6-PUR/S15FS PE - Power cable



1514503

<https://www.phoenixcontact.com/us/products/1514503>

Cable length	0.6 m
PUR halogen-free black [PUR]	
Number of positions	6
Shielded	no
Cable type	PUR halogen-free black [PUR]
AWG power supply	14
Conductor cross-section	6x 2.5 mm <sup>2</sup>
Wire diameter incl. insulation	2.85 mm ±5 %
External cable diameter	10.50 mm
Outer sheath, material	PUR
External sheath, color	black
Conductor material	Bare Cu litz wires
Single wire, material	PP
Single wire, color	black 1, black 2, black 3, black 4, black 5, green/yellow
Thickness, insulation	Core insulation
Overall twist	6 wires, twisted around filler
Max. conductor resistance	max. 7.98 Ω/m
Nominal voltage, cable	≤ 1000 V
Test voltage	≥ 10000 V
Minimum bending radius, fixed installation	7.5 x D
Minimum bending radius, flexible installation	10 x D
Smallest bending radius, fixed installation	79 mm
Smallest bending radius, movable installation	105 mm
Dynamic load capacity (bending)	Max. bending cycles: 5000000, Bending radius: 79 mm, Traversing rate: 3.3 m/s, Acceleration: 5 m/s <sup>2</sup>
Ambient temperature (operation)	-50 °C ... 80 °C (cable, fixed installation) -25 °C ... 80 °C (Cable, flexible installation)

## Environmental and real-life conditions

### Ambient conditions

Degree of protection	IP65 IP67 (When plugged in)
Ambient temperature (operation) (male connector/female connector)	-30 °C ... 85 °C (Plug / socket)

## Standards and regulations

Standard designation	Connector, size 15
Standards/specifications	IEC 61076-2-116

# SAC-6P-S15MS/ 0,6-PUR/S15FS PE - Power cable

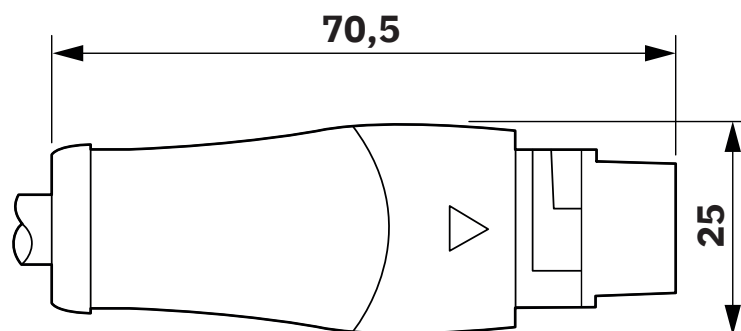


1514503

<https://www.phoenixcontact.com/us/products/1514503>

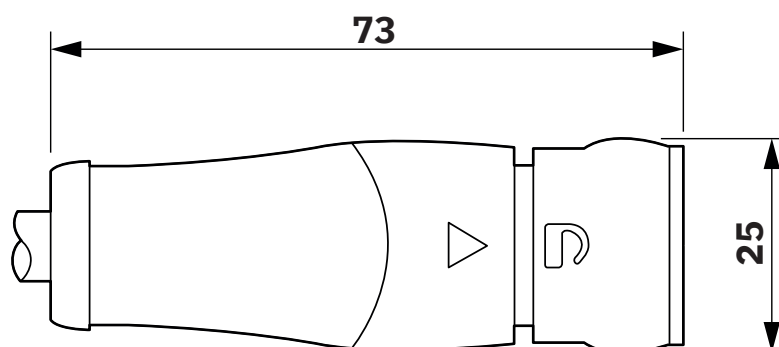
## Drawings

Dimensional drawing



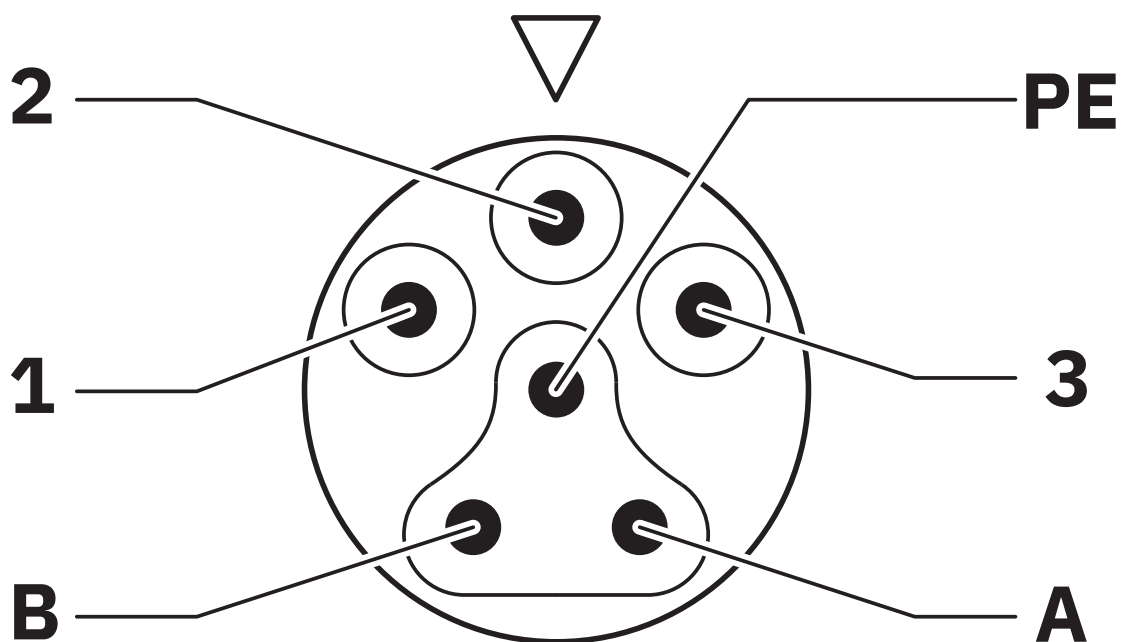
S15 male connector, straight

Dimensional drawing



S15 socket, straight

Schematic diagram

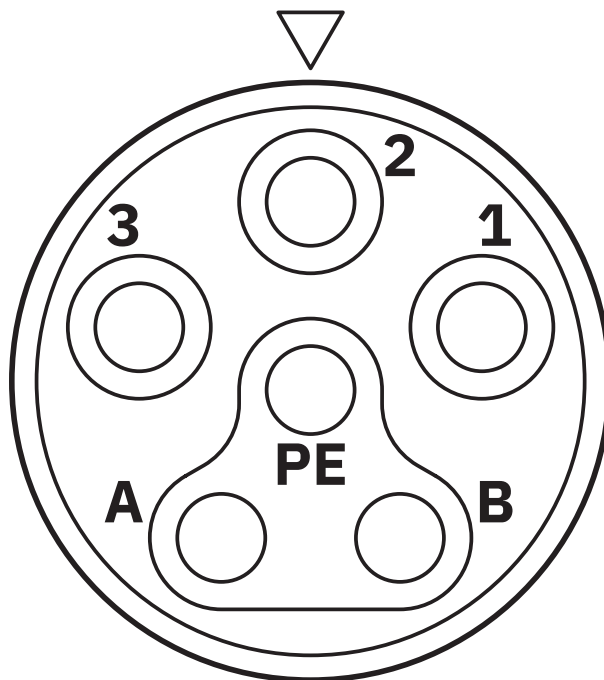


S15 plug pin assignment, 6-pos., pin side view

1514503

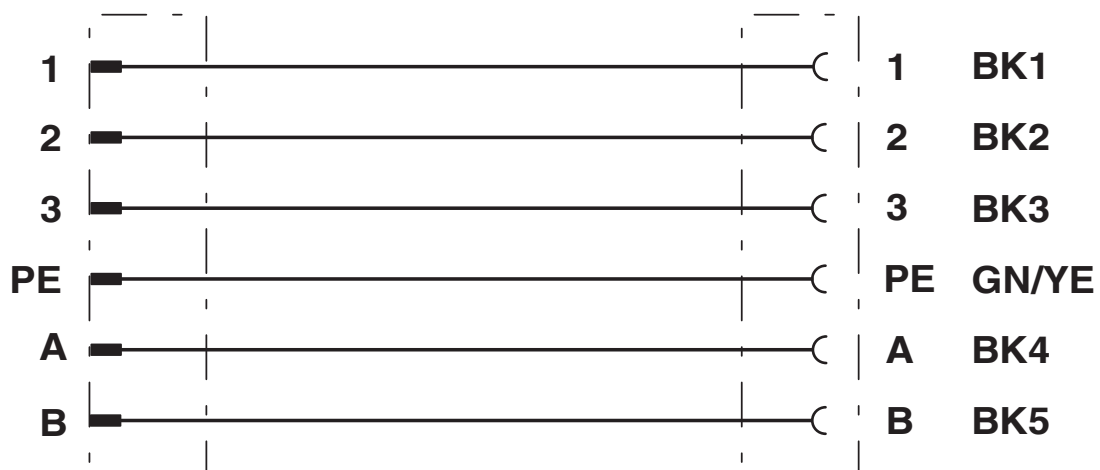
<https://www.phoenixcontact.com/us/products/1514503>

Schematic diagram



S15 socket pin assignment, 6-pos., socket side view

Circuit diagram



Contact assignment of the S15 plug and the S15 socket

# SAC-6P-S15MS/ 0,6-PUR/S15FS PE - Power cable



1514503

<https://www.phoenixcontact.com/us/products/1514503>

## Classifications

### ECLASS

ECLASS-13.0	27060327
ECLASS-15.0	27060327

### ETIM

ETIM 10.0	EC001855
-----------	----------

### UNSPSC

UNSPSC 21.0	26121600
-------------	----------

1514503

<https://www.phoenixcontact.com/us/products/1514503>

## Environmental product compliance

### EU RoHS

Fulfills EU RoHS substance requirements	Yes
Exemption	6(c)

### China RoHS

Environment friendly use period (EFUP)	EFUP-50
	An article-related China RoHS declaration table can be found in the download area for the respective article under "Manufacturer declaration". For all articles with EFUP-E, no China RoHS declaration table issued and required.

### EU REACH SVHC

REACH candidate substance (CAS No.)	Lead(CAS: 7439-92-1)
SCIP	4f4dc947-fe46-49be-b786-cfa357ff02f8

Phoenix Contact 2026 © - all rights reserved

<https://www.phoenixcontact.com>

Phoenix Contact USA  
586 Fulling Mill Road  
Middletown, PA 17057, United States  
(+717) 944-1300  
[info@phoenixcon.com](mailto:info@phoenixcon.com)