

SAC-3P-M12FY/2X0,2-PUR/M12MS - Sensor/actuator cable



1514184

<https://www.phoenixcontact.com/us/products/1514184>

Please be informed that the data shown in this PDF document is generated from our online catalog. Please find the complete data in the user documentation. Our general terms of use for downloads are valid.



Sensor/actuator cable, 3-position, PUR halogen-free, black-gray RAL 7021, Socket straight M12, coding: A, on Plug straight M12, coding: A, cable length: 0.2 m

Commercial data

Item number	1514184
Packing unit	1 pc
Minimum order quantity	1 pc
Product key	AF1COA
GTIN	4017918917647
Weight per piece (including packing)	41.1 g
Weight per piece (excluding packing)	41.1 g
Country of origin	PL

SAC-3P-M12FY/2X0,2-PUR/M12MS - Sensor/actuator cable



1514184

<https://www.phoenixcontact.com/us/products/1514184>

Technical data

Product properties

Product type	Distributor with cable
Number of positions	3
No. of cable outlets	2
Shielded	no
Coding	A

Insulation characteristics

Overvoltage category	II
Degree of pollution	3

Material specifications

Flammability rating according to UL 94	HB
Seal material	NBR
Material of grip body	TPU, hardly inflammable, self-extinguishing
Contact material	CuSn
Contact surface material	Ni/Au
Contact carrier material	TPU GF
Material for screw connection	Zinc die-cast, nickel-plated

Electrical properties

Insulation resistance	$\geq 10 \text{ G}\Omega$
Nominal voltage U_N	48 V AC
	60 V DC
Nominal current I_N	4 A

Mechanical properties

Mechanical data

Insertion/withdrawal cycles	≥ 100
-----------------------------	------------

Signaling

Status display	no
Status display present	no

Connector

Connection 1

Type	Socket straight M12
Number of positions	3
Coding type	A

Connection 2

Type	Plug straight M12
------	-------------------

SAC-3P-M12FY/2X0,2-PUR/M12MS - Sensor/actuator cable



1514184

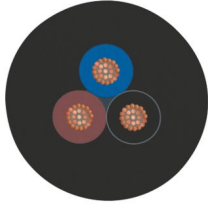
<https://www.phoenixcontact.com/us/products/1514184>

Number of positions	3
Coding type	A

Cable/line

Cable length	0.2 m
--------------	-------

PUR halogen-free black [PUR]

Dimensional drawing	
Cable weight	23 kg/km
UL AWM Style	20549
Number of positions	3
Shielded	no
Cable type	PUR halogen-free black [PUR]
Conductor structure signal line	42x 0.10 mm
AWG signal line	22
Conductor cross-section	3x 0.34 mm ² (Signal line)
Wire diameter incl. insulation	1.27 mm ±0.02 mm (Signal line)
External cable diameter	3.85 mm ±0.15 mm
Outer sheath, material	PUR
External sheath, color	black-gray RAL 7021
Conductor material	Bare Cu litz wires
Material wire insulation	PP
Single wire, color	brown, blue, black
Thickness, insulation	≥ 0.21 mm (Core insulation) approx. 0.50 mm (Outer cable sheath)
Overall twist	3 wires, twisted
Max. conductor resistance	max. 58 Ω/km (at 20 °C)
Insulation resistance	≥ 100 GΩ*km (at 20 °C)
Nominal voltage, cable	≤ 300 V
Test voltage	≥ 3000 V
Smallest bending radius, fixed installation	19 mm
Smallest bending radius, movable installation	38 mm
Dynamic load capacity (bending)	Max. bending cycles: 10000000, Bending radius: 38 mm, Bending radius: 10 x D, Traversing path: 10 m, Traversing rate: 3 m/s, Acceleration: 10 m/s ²
Dynamic load capacity (torsion)	Torsion: ±180 °/m, Torsion cycles: ≥5000000, Torsional frequency: 35 cycles/min.
Halogen-free	in accordance with DIN VDE 0472 part 815

SAC-3P-M12FY/2X0,2-PUR/M12MS - Sensor/actuator cable



1514184

<https://www.phoenixcontact.com/us/products/1514184>

Flame resistance	in accordance with UL 758/1581 FT2
	DIN EN 60332-2-2 (20 s)
Resistance to oil	in accordance with DIN EN 60811-2-1
Other resistance	Highly resistant to acids, alkaline solutions and solvents
	hydrolysis and microbe resistant
	partly UV-resistant (in accordance with DIN EN ISO 4892-2-A)
Special properties	Flexible cable conduit capable
	Silicone-free
	Free of substances which would hinder coating with paint or varnish
Ambient temperature (operation)	-40 °C ... 80 °C (cable, fixed installation)
	-25 °C ... 80 °C (Cable, flexible installation)

Environmental and real-life conditions

Ambient conditions

Degree of protection	IP65
	IP67
	IP68
Ambient temperature (operation)	-25 °C ... 90 °C (Plug / socket)
	-40 °C ... 80 °C (cable, fixed installation)
	-5 °C ... 80 °C (Cable, flexible installation)

SAC-3P-M12FY/2X0,2-PUR/M12MS - Sensor/actuator cable

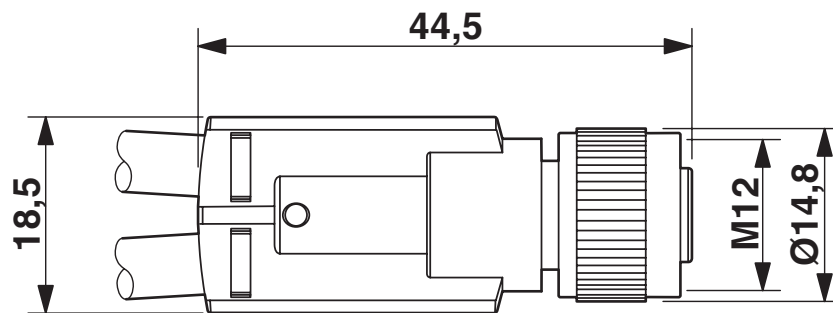


1514184

<https://www.phoenixcontact.com/us/products/1514184>

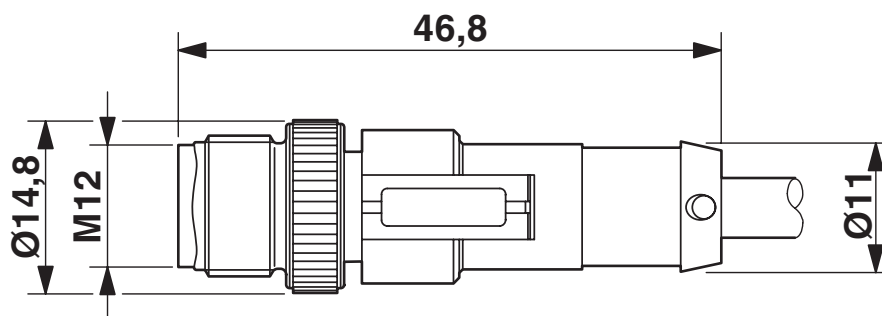
Drawings

Dimensional drawing



Socket M12 x 1, Y distributor

Dimensional drawing



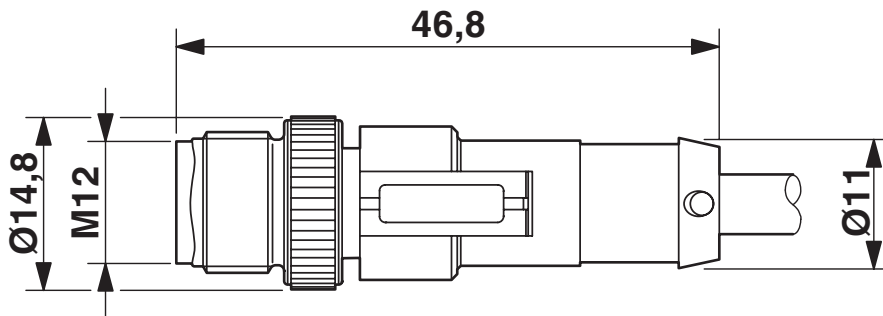
Plug, M12 x 1, straight, shielded

SAC-3P-M12FY/2X0,2-PUR/M12MS - Sensor/actuator cable

1514184

<https://www.phoenixcontact.com/us/products/1514184>

Dimensional drawing



Plug, M12 x 1, straight, shielded

Schematic diagram

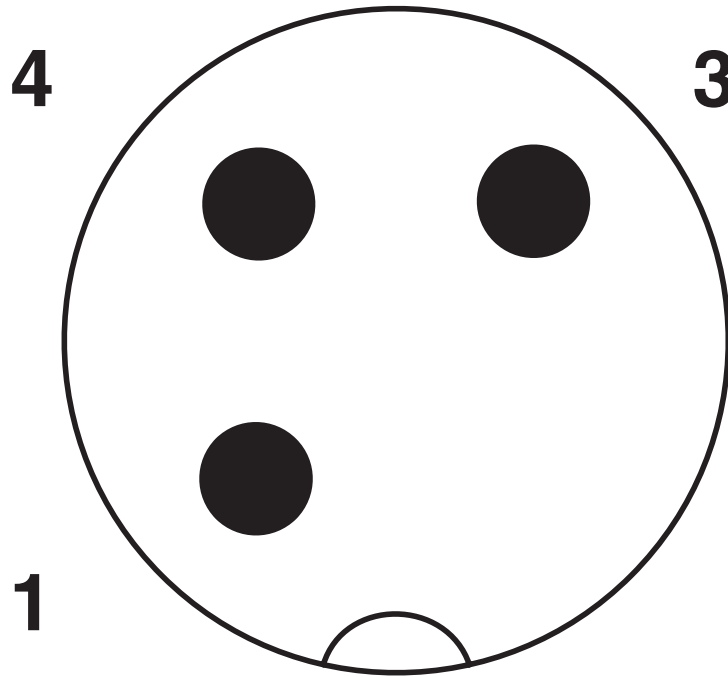


Pin assignment M12 socket, 4-pos., A-coded, view female side

1514184

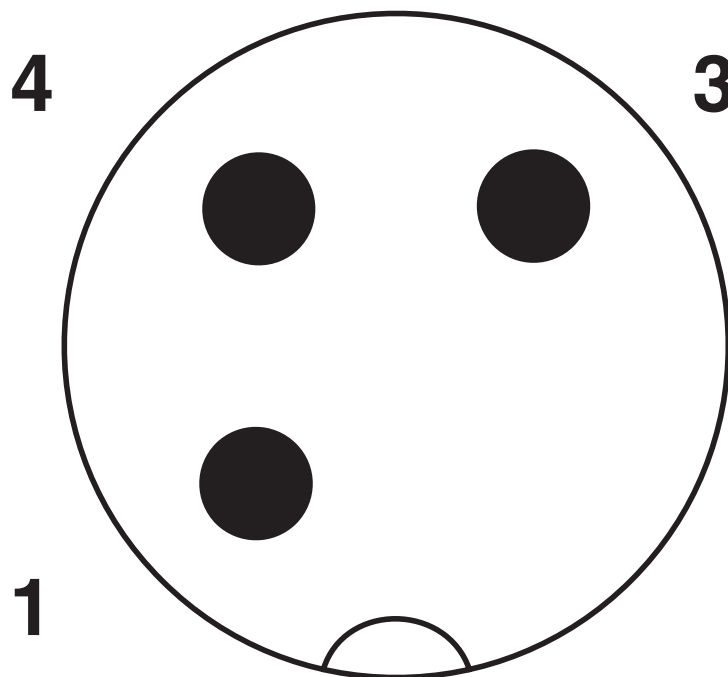
<https://www.phoenixcontact.com/us/products/1514184>

Schematic diagram



Pin assignment M12 plug, 3-pos., A-coded, view male side

Schematic diagram



Pin assignment M12 plug, 3-pos., A-coded, view male side

SAC-3P-M12FY/2X0,2-PUR/M12MS - Sensor/actuator cable



1514184

<https://www.phoenixcontact.com/us/products/1514184>

Approvals

To download certificates, visit the product detail page: <https://www.phoenixcontact.com/us/products/1514184>

 UL Listed Approval ID: FILE E 221474				
	Nominal voltage U_N	Nominal current I_N	Cross section AWG	Cross section mm^2
keine				
	300 V	4 A	-	-

 cUL Listed Approval ID: FILE E 221474				
	Nominal voltage U_N	Nominal current I_N	Cross section AWG	Cross section mm^2
keine				
	300 V	4 A	-	-

SAC-3P-M12FY/2X0,2-PUR/M12MS - Sensor/actuator cable



1514184

<https://www.phoenixcontact.com/us/products/1514184>

Classifications

ECLASS

ECLASS-13.0	27060313
ECLASS-15.0	27060313

ETIM

ETIM 10.0	EC001855
-----------	----------

UNSPSC

UNSPSC 21.0	26121600
-------------	----------

SAC-3P-M12FY/2X0,2-PUR/M12MS - Sensor/actuator cable



1514184

<https://www.phoenixcontact.com/us/products/1514184>

Environmental product compliance

EU RoHS

Fulfills EU RoHS substance requirements	Yes, No exemptions
---	--------------------

China RoHS

Environment friendly use period (EFUP)	EFUP-E
	No hazardous substances above the limits

EU REACH SVHC

REACH candidate substance (CAS No.)	No substance above 0.1 wt%
-------------------------------------	----------------------------

Phoenix Contact 2026 © - all rights reserved
<https://www.phoenixcontact.com>

Phoenix Contact USA
586 Fulling Mill Road
Middletown, PA 17057, United States
(+717) 944-1300
info@phoenixcon.com