

SACC-M12MS-8CON-PG9-M - Connector



1513334

<https://www.phoenixcontact.com/us/products/1513334>

Please be informed that the data shown in this PDF document is generated from our online catalog. Please find the complete data in the user documentation. Our general terms of use for downloads are valid.



Connector, Universal, 8-position, Plug straight M12, coding: A, Screw connection, knurl material: Brass, nickel-plated, cable gland Pg9, external cable diameter 6 mm ... 8 mm

Your advantages

- Safe use in the field, thanks to a high degree of protection
- Screw connection: proven connection technology for a large selection of different conductors

Commercial data

Item number	1513334
Packing unit	1 pc
Minimum order quantity	1 pc
Sales key	BF30
Product key	AF2CAA
GTIN	4017918910938
Weight per piece (including packing)	28 g
Weight per piece (excluding packing)	22.7 g
Customs tariff number	85366990
Country of origin	CN

SACC-M12MS-8CON-PG9-M - Connector



1513334

<https://www.phoenixcontact.com/us/products/1513334>

Technical data

Notes

Assembly note	NOTE: Observe the permissible bending radii when routing cables, since the degree of protection may be at risk if the bending forces are too high. Reduce mechanical loads upstream of the connector, e.g., by using cable ties.
---------------	---

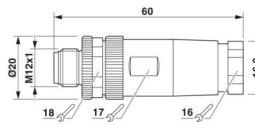
Product properties

Product type	Circular connector (cable-side)
Sensor type	Universal
Number of positions	8
No. of cable outlets	1
Shielded	no
Coding	A
Pg screw connection	Pg9

Insulation characteristics

Overvoltage category	II
Degree of pollution	3

Dimensions

Dimensional drawing	
Width	20 mm
Height	20 mm
Length	60 mm
Wrench size, union nut	16 mm
Wrench size, counter nut	17 mm

External dimensions

Outside diameter	6 mm ... 8 mm
------------------	---------------

Housing

Diameter housing	20 mm
------------------	-------

Material specifications

Flammability rating according to UL 94	HB
Seal material	Silicon
Material of grip body	PBT
Contact material	CuZn
Contact surface material	Au
Contact carrier material	PA

SACC-M12MS-8CON-PG9-M - Connector



1513334

<https://www.phoenixcontact.com/us/products/1513334>

Material for screw connection	Brass, nickel-plated
Standards/regulations	PA (Cable gland)

Connection data

Conductor connection

Connection method	Screw connection
Connection cross section	0.25 mm ² ... 0.5 mm ² (without ferrule)
	0.14 mm ² ... 0.34 mm ² (with ferrule)
	0.25 mm ² ... 0.5 mm ² (solid)
Connection cross section AWG	24 ... 20 (without ferrule)
	26 ... 22 (with ferrule)
Stripping length of the individual wire	5 mm
Tightening torque	0.4 Nm (M12 knurl)
	0.2 Nm (Screw terminal blocks)
	1 Nm (Pressure screw with sleeve housing)

Electrical properties

Rated surge voltage	0.8 kV
Contact resistance	≤ 8 mΩ
Insulation resistance	≥ 100 MΩ
Nominal voltage U _N	30 V AC
	30 V DC
Nominal current I _N	2 A

Mechanical properties

Mechanical data

Insertion/withdrawal cycles	≥ 100
-----------------------------	-------

Connector

Connection 1

Head design	Plug
Head cable outlet	straight
Head thread type	M12
Coding	A

Cable/line

Signal type/category	Universal
Stripping length of the individual wire	5 mm

Environmental and real-life conditions

Ambient conditions

Degree of protection	IP67
Ambient temperature (operation) (male connector/female)	-40 °C ... 85 °C (Plug / socket)

SACC-M12MS-8CON-PG9-M - Connector



1513334

<https://www.phoenixcontact.com/us/products/1513334>

connector)

Standards and regulations

Standard designation	M12 connector
Standards/specifications	IEC 61076-2-101

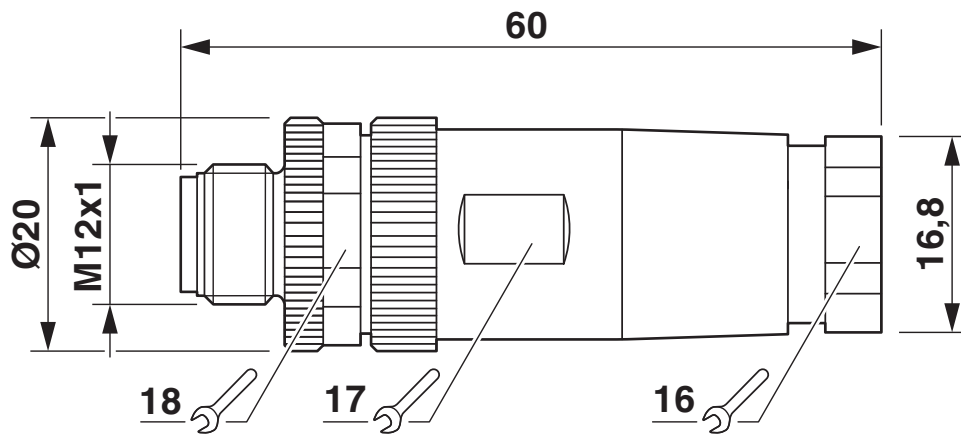
SACC-M12MS-8CON-PG9-M - Connector

1513334

<https://www.phoenixcontact.com/us/products/1513334>

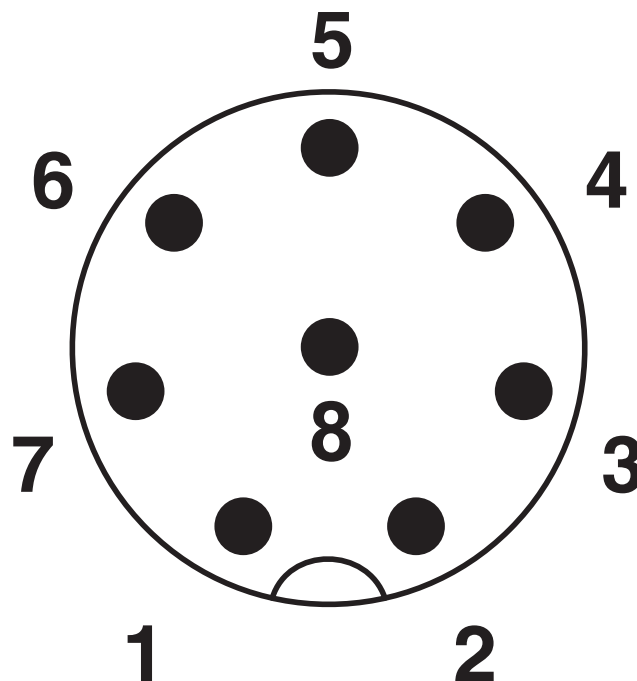
Drawings

Dimensional drawing



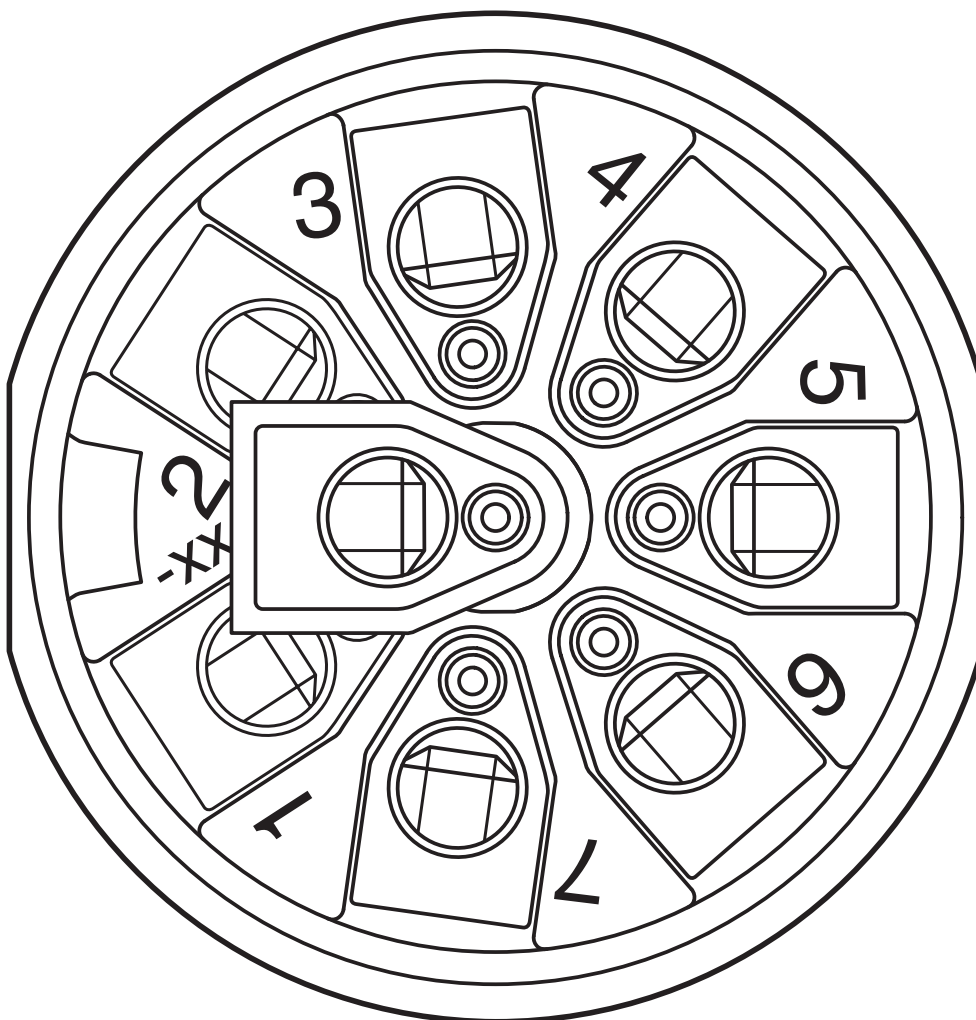
Plug, M12 x 1, straight

Schematic diagram



Pin assignment M12 plug, 8-pos., A-coded, view plug side

Schematic diagram



Cable connection side M12 (screw connection)

SACC-M12MS-8CON-PG9-M - Connector





1513334

<https://www.phoenixcontact.com/us/products/1513334>

Approvals

To download certificates, visit the product detail page: <https://www.phoenixcontact.com/us/products/1513334>

 cUL Recognized Approval ID: FILE E 221474				
	Nominal voltage U_N	Nominal current I_N	Cross section AWG	Cross section mm^2
keine				
	30 V	2 A	-	-

 UL Recognized Approval ID: FILE E 221474				
	Nominal voltage U_N	Nominal current I_N	Cross section AWG	Cross section mm^2
keine				
	30 V	2 A	-	-

SACC-M12MS-8CON-PG9-M - Connector



1513334

<https://www.phoenixcontact.com/us/products/1513334>

Classifications

ECLASS

ECLASS-13.0	27440116
ECLASS-15.0	27440116

ETIM

ETIM 10.0	EC002635
-----------	----------

UNSPSC

UNSPSC 21.0	39121400
-------------	----------

1513334

<https://www.phoenixcontact.com/us/products/1513334>

Environmental product compliance

EU RoHS

Fulfills EU RoHS substance requirements	Yes
Exemption	6(c)

China RoHS

Environment friendly use period (EFUP)	EFUP-50
	An article-related China RoHS declaration table can be found in the download area for the respective article under "Manufacturer declaration". For all articles with EFUP-E, no China RoHS declaration table issued and required.

EU REACH SVHC

REACH candidate substance (CAS No.)	Lead(CAS: 7439-92-1)
SCIP	8ce91250-3d1d-4024-acce-d317cc5730eb

EF3.1 Climate Change

CO2e kg	0.881 kg CO2e
---------	---------------

Phoenix Contact 2026 © - all rights reserved
<https://www.phoenixcontact.com>

Phoenix Contact USA
586 Fulling Mill Road
Middletown, PA 17057, United States
(+717) 944-1300
info@phoenixcon.com