

SAC-4P-M12MS/1,5-PUR/M12FR2LVW - Sensor/actuator cable



1512827

<https://www.phoenixcontact.com/us/products/1512827>

Please be informed that the data shown in this PDF document is generated from our online catalog. Please find the complete data in the user documentation. Our general terms of use for downloads are valid.



Sensor/actuator cable, 4-position, PUR halogen-free, irradiated, welding sputter-resistant, orange RAL 2003, Plug straight M12, coding: A, with 2 LEDs, on Socket angled M12, coding: A, with 2 LEDs, cable length: 1.5 m, Customer-specific version

Commercial data

Item number	1512827
Packing unit	1 pc
Minimum order quantity	1 pc
Product key	AF1CCA
GTIN	4017918909932
Weight per piece (including packing)	73.9 g
Weight per piece (excluding packing)	73.9 g
Country of origin	DE

SAC-4P-M12MS/1,5-PUR/M12FR2LVW - Sensor/actuator cable



1512827

<https://www.phoenixcontact.com/us/products/1512827>

Technical data

Product properties

Product type	Sensor/actuator cable
Number of positions	4
No. of cable outlets	1
Shielded	no
Coding	A

Insulation characteristics

Overvoltage category	II
Degree of pollution	3

Material specifications

Flammability rating according to UL 94	HB
Seal material	NBR
Material of grip body	TPU, hardly inflammable, self-extinguishing
Contact material	CuSn
Contact surface material	Ni/Au
Contact carrier material	TPU GF
Material for screw connection	Zinc die-cast, nickel-plated

Electrical properties

Insulation resistance	≥ 100 MΩ
Nominal voltage U _N	250 V AC 250 V DC
Nominal current I _N	4 A

Mechanical properties

Mechanical data

Insertion/withdrawal cycles	≥ 100
-----------------------------	-------

Signaling

Status display	2 LEDs
Status display present	yes

Connector

Connection 1

Type	Plug straight M12
Number of positions	4
Coding type	A

SAC-4P-M12MS/1,5-PUR/M12FR2LVW - Sensor/actuator cable



1512827

<https://www.phoenixcontact.com/us/products/1512827>

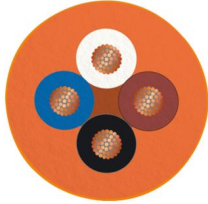
Connection 2

Type	Socket angled M12
Number of positions	4
Coding type	A

Cable/line

Cable length	1.5 m
--------------	-------

PUR irradiated halogen-free orange [150]

Dimensional drawing	
Number of positions	4
Shielded	no
Cable type	PUR irradiated halogen-free orange [150]
Conductor structure signal line	19x 0.15 mm
AWG signal line	22
Conductor cross-section	4x 0.34 mm ² (Signal line)
Wire diameter incl. insulation	1.05 mm ±0.05 mm (Signal line)
External cable diameter	5.20 mm ±0.2 mm
Outer sheath, material	PUR
External sheath, color	orange RAL 2003
Conductor material	Bare Cu litz wires
Material wire insulation	PE
Single wire, color	brown, white, blue, black
Overall twist	4 wires, twisted
Length of twist, overall twist	27 mm
Max. conductor resistance	max. 57 Ω/km
Nominal voltage, cable	320 V (AC)
Test voltage	2500 V (50 Hz, 5 minutes)
Smallest bending radius, fixed installation	min. 15 mm
Smallest bending radius, movable installation	min. 30 mm
Dynamic load capacity (bending)	Max. bending cycles: 5000000, Bending radius: 52 mm, Traversing path: 10 m, Traversing rate: 3 m/s
Dynamic load capacity (torsion)	Torsion: ±360 °/m
Halogen-free	The cable is halogen-free
Other resistance	hydrolysis and microbe resistant Resistant to welding splashes

SAC-4P-M12MS/1,5-PUR/M12FR2LVW - Sensor/actuator cable



1512827

<https://www.phoenixcontact.com/us/products/1512827>

Special properties	Silicone-free
	Irradiated
Ambient temperature (operation)	-50 °C ... 105 °C (cable, fixed installation)
	-40 °C ... 105 °C (Cable, flexible installation)

Environmental and real-life conditions

Ambient conditions

Degree of protection	IP65
	IP67
	IP68
Ambient temperature (operation) (male connector/female connector)	-25 °C ... 90 °C (Plug / socket)
Ambient temperature (operation) (fixed installation)	-50 °C ... 105 °C (cable, fixed installation)
Ambient temperature (operation) (flexible installation)	-40 °C ... 105 °C (Cable, flexible installation)

SAC-4P-M12MS/1,5-PUR/M12FR2LVW - Sensor/actuator cable

1512827

<https://www.phoenixcontact.com/us/products/1512827>

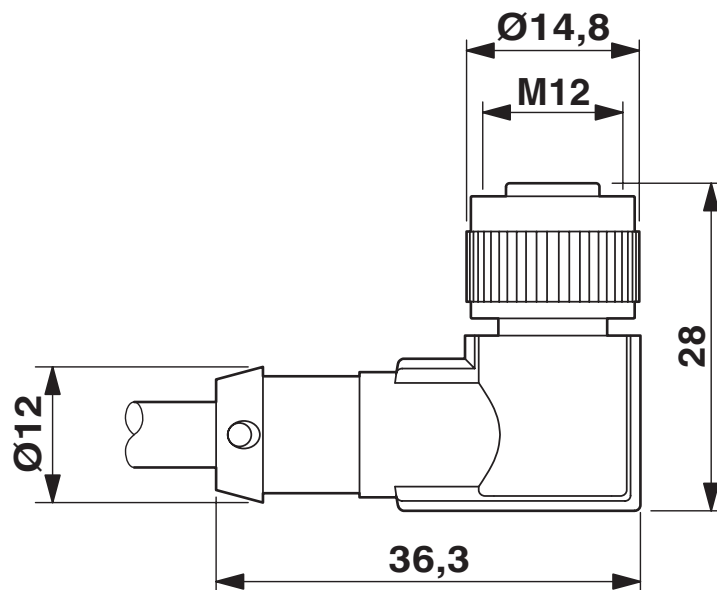
Drawings

Dimensional drawing



Plug, M12 x 1, straight, shielded

Dimensional drawing



M12 x 1 socket, angled

SAC-4P-M12MS/1,5-PUR/M12FR2LVW - Sensor/actuator cable

1512827

<https://www.phoenixcontact.com/us/products/1512827>

Schematic diagram



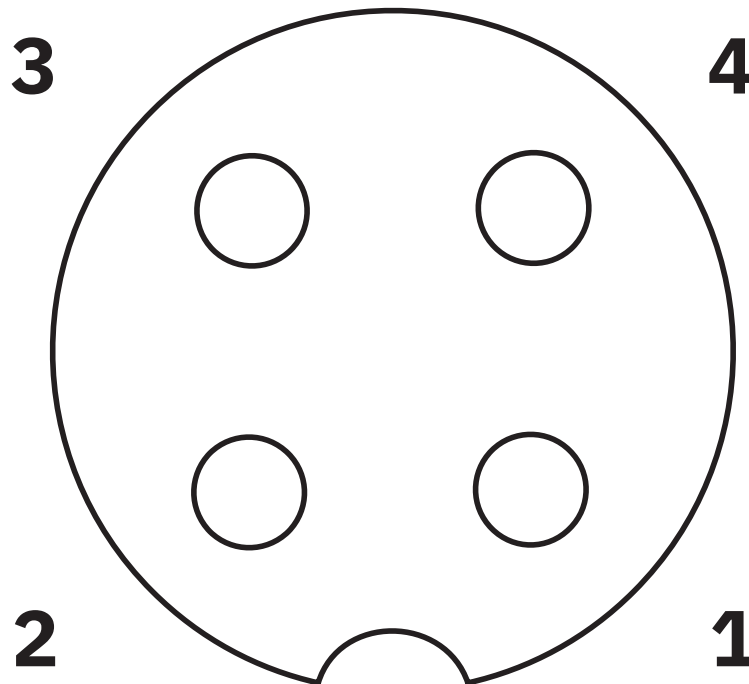
Pin assignment M12 plug, 4-pos., A-coded, view plug side

SAC-4P-M12MS/1,5-PUR/M12FR2LVW - Sensor/actuator cable

1512827

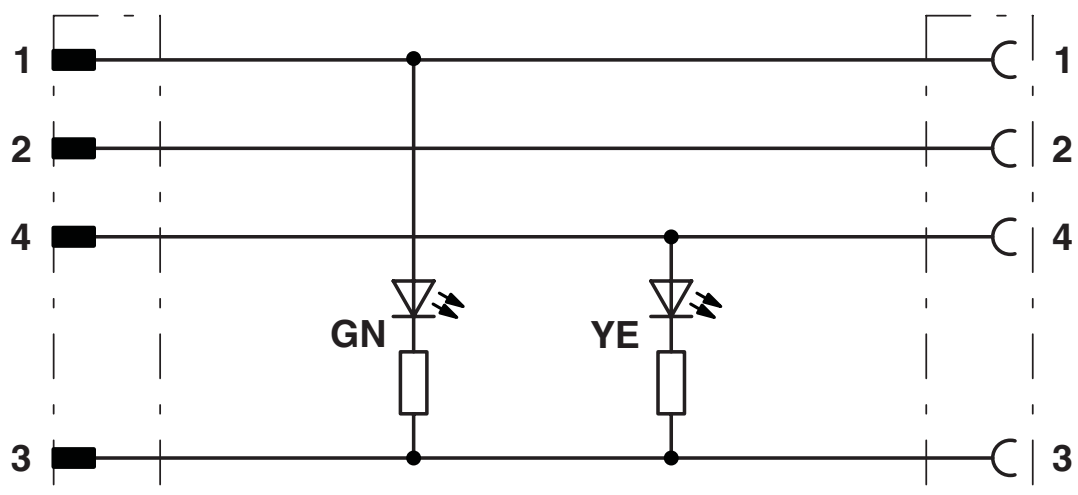
<https://www.phoenixcontact.com/us/products/1512827>

Schematic diagram



Pin assignment M12 socket, 4-pos., A-coded, view female side

Circuit diagram



SAC-4P-M12MS/1,5-PUR/M12FR2LVW - Sensor/actuator cable



1512827

<https://www.phoenixcontact.com/us/products/1512827>

Classifications

ECLASS

ECLASS-13.0	27060311
ECLASS-15.0	27060311

SAC-4P-M12MS/1,5-PUR/M12FR2LVW - Sensor/actuator cable



1512827

<https://www.phoenixcontact.com/us/products/1512827>

Environmental product compliance

China RoHS

Environment friendly use period (EFUP)	EFUP-50
	An article-related China RoHS declaration table can be found in the download area for the respective article under "Manufacturer declaration". For all articles with EFUP-E, no China RoHS declaration table issued and required.

EU REACH SVHC

REACH candidate substance (CAS No.)	No substance above 0.1 wt%
-------------------------------------	----------------------------

Phoenix Contact 2026 © - all rights reserved
<https://www.phoenixcontact.com>

Phoenix Contact USA
586 Fulling Mill Road
Middletown, PA 17057, United States
(+717) 944-1300
info@phoenixcon.com