

# SAC-3P- 7,5-PVC/M 8FR-2L - Sensor/actuator cable



1508475

<https://www.phoenixcontact.com/us/products/1508475>

Please be informed that the data shown in this PDF document is generated from our online catalog. Please find the complete data in the user documentation. Our general terms of use for downloads are valid.



Sensor/actuator cable, 3-position, PVC, black RAL 9005, free cable end, on Socket angled M8, coding: A, with 2 LEDs, cable length: 7.5 m

## Commercial data

Item number	1508475
Packing unit	5 pc
Minimum order quantity	25 pc
Product key	AF1BBA
GTIN	4017918895341
Weight per piece (including packing)	210.42 g
Weight per piece (excluding packing)	202.39 g
Country of origin	PL

# SAC-3P- 7,5-PVC/M 8FR-2L - Sensor/actuator cable



1508475

<https://www.phoenixcontact.com/us/products/1508475>

## Technical data

### Product properties

Product type	Sensor/actuator cable
Number of positions	3
No. of cable outlets	1
Shielded	no
Coding	A

### Insulation characteristics

Overvoltage category	II
Degree of pollution	3

### Material specifications

Flammability rating according to UL 94	HB
Seal material	NBR
Material of grip body	TPU, hardly inflammable, self-extinguishing
Contact material	CuSn
Contact surface material	Ni/Au
Contact carrier material	TPU GF
Material for screw connection	Zinc die-cast, nickel-plated

### Electrical properties

Insulation resistance	$\geq 100 \text{ M}\Omega$
Nominal voltage $U_N$	24 V
Nominal current $I_N$	4 A

### Signaling

Status display	2 LEDs
Status display present	yes

### Connector

#### Connection 1

Type	free cable end
------	----------------

#### Connection 2

Type	Socket angled M8
Number of positions	3
Coding type	A

### Cable/line

Cable length	7.5 m
--------------	-------

PVC black [PVC]

# SAC-3P- 7,5-PVC/M 8FR-2L - Sensor/actuator cable



1508475

<https://www.phoenixcontact.com/us/products/1508475>

Dimensional drawing	
Cable weight	29 kg/km
Number of positions	3
Shielded	no
Cable type	PVC black [PVC]
Conductor structure signal line	32x 0.10 mm
AWG signal line	24
Conductor cross-section	3x 0.25 mm <sup>2</sup> (Signal line)
Wire diameter incl. insulation	1.25 mm ±0.02 mm
External cable diameter	4.40 mm ±0.15 mm
Outer sheath, material	PVC
External sheath, color	black RAL 9005
Conductor material	Bare Cu litz wires
Material wire insulation	PVC
Single wire, color	brown, blue, black
Thickness, insulation	≥ 0.23 mm (Core insulation)
Thickness, outer sheath	≥ 0.76 mm
Overall twist	3 wires, twisted
Max. conductor resistance	max. 78 Ω/km (at 20 °C)
Insulation resistance	≥ 100 MΩ*km (at 20 °C)
Nominal voltage, cable	≥ 300 V
Test voltage	≤ 3000 V
Flame resistance	As per UL-Style 2464
Ambient temperature (operation)	-25 °C ... 80 °C (cable, fixed installation) -5 °C ... 80 °C (Cable, flexible installation)

## Environmental and real-life conditions

### Ambient conditions

Degree of protection	IP65 IP67 IP68
Ambient temperature (operation)	-25 °C ... 90 °C (Plug / socket) -25 °C ... 80 °C (cable, fixed installation) -5 °C ... 80 °C (Cable, flexible installation)

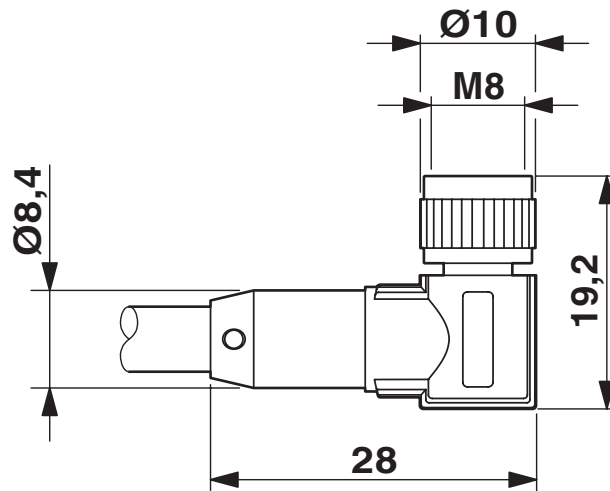
# SAC-3P- 7,5-PVC/M 8FR-2L - Sensor/actuator cable

1508475

<https://www.phoenixcontact.com/us/products/1508475>

## Drawings

Dimensional drawing



Socket M8 x 1, angled, with LED

Schematic diagram



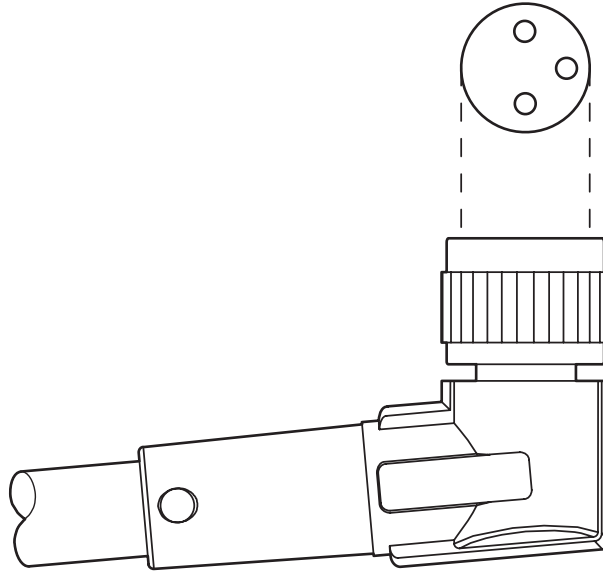
Pin assignment M8 socket, 3-pos.

# SAC-3P- 7,5-PVC/M 8FR-2L - Sensor/actuator cable

1508475

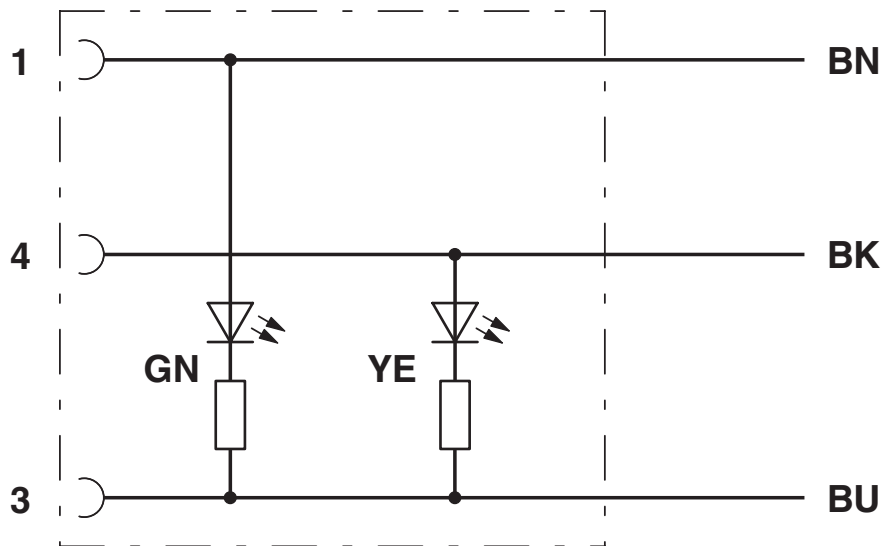
<https://www.phoenixcontact.com/us/products/1508475>

Schematic diagram



Layout of connector pin assignments

Circuit diagram



Contact assignment of M8 socket

# SAC-3P- 7,5-PVC/M 8FR-2L - Sensor/actuator cable





1508475

<https://www.phoenixcontact.com/us/products/1508475>

## Approvals

To download certificates, visit the product detail page: <https://www.phoenixcontact.com/us/products/1508475>

 <b>UL Listed</b> Approval ID: FILE E 221474				
	Nominal voltage $U_N$	Nominal current $I_N$	Cross section AWG	Cross section $\text{mm}^2$
keine				
	24 V	4 A	-	-

 <b>cUL Listed</b> Approval ID: FILE E 221474				
	Nominal voltage $U_N$	Nominal current $I_N$	Cross section AWG	Cross section $\text{mm}^2$
keine				
	24 V	4 A	-	-

 <b>EAC-RoHS</b> Approval ID: RU D-DE.HB35.B.00387	
--	--

# SAC-3P- 7,5-PVC/M 8FR-2L - Sensor/actuator cable



1508475

<https://www.phoenixcontact.com/us/products/1508475>

## Classifications

### ECLASS

ECLASS-13.0	27060311
ECLASS-15.0	27060311

### ETIM

ETIM 10.0	EC001855
-----------	----------

### UNSPSC

UNSPSC 21.0	26121600
-------------	----------

# SAC-3P- 7,5-PVC/M 8FR-2L - Sensor/actuator cable



1508475

<https://www.phoenixcontact.com/us/products/1508475>

## Environmental product compliance

### EU RoHS

Fulfills EU RoHS substance requirements	Yes, No exemptions
---	--------------------

### China RoHS

Environment friendly use period (EFUP)	EFUP-E
	No hazardous substances above the limits

### EU REACH SVHC

REACH candidate substance (CAS No.)	No substance above 0.1 wt%
-------------------------------------	----------------------------

Phoenix Contact 2026 © - all rights reserved  
<https://www.phoenixcontact.com>

Phoenix Contact USA  
586 Fulling Mill Road  
Middletown, PA 17057, United States  
(+717) 944-1300  
[info@phoenixcon.com](mailto:info@phoenixcon.com)