

# SAC-3P-M12MS/A-1L-S - Valve connector



1505258

<https://www.phoenixcontact.com/us/products/1505258>

Please be informed that the data shown in this PDF document is generated from our online catalog. Please find the complete data in the user documentation. Our general terms of use for downloads are valid.

Valve connector type A, PE bridged, 18 mm contact spacing, vertical connector M12



## Commercial data

Item number	1505258
Packing unit	1 pc
Note	Made to order (non-returnable)
Sales key	NULL
Product key	AF1GDA
GTIN	4017918857042
Weight per piece (including packing)	38.62 g
Weight per piece (excluding packing)	35.68 g
Customs tariff number	85366990
Country of origin	CZ

# SAC-3P-M12MS/A-1L-S - Valve connector



1505258

<https://www.phoenixcontact.com/us/products/1505258>

## Technical data

### Product properties

Product type	Valve connector adapter
Number of positions	3
No. of cable outlets	1
Coding	A

### Insulation characteristics

Overvoltage category	II
Degree of pollution	3

### Connection data

Connection method	M12 connector
Tightening torque	0.4 Nm (M12 connector)
	0.6 Nm (Valve connector)

### Electrical properties

Insulation resistance	$\geq 100 \text{ M}\Omega$
Nominal voltage $U_N$	24 V AC
	24 V DC
Nominal current $I_N$	4 A

### Mechanical properties

#### Mechanical data

Insertion/withdrawal cycles	$\geq 100$
-----------------------------	------------

### Material specifications

Flammability rating according to UL 94	V0
Seal material	TPU
Material housing valve plug	PBT
Material of grip body	TPU, hardly inflammable, self-extinguishing
Contact material	CuSn
Contact surface material	Ni/Au
Contact carrier material	TPU GF
Contact material	CuSn
Valve plug contact insert material	PBT
Contact surface material	Ag
Material for screw connection	Zinc die-cast, nickel-plated

### Signaling

Status display	LED (yellow)
Status display present	yes

# SAC-3P-M12MS/A-1L-S - Valve connector



1505258

<https://www.phoenixcontact.com/us/products/1505258>

## Connector

### Connection 1

Type	Plug straight M12
Number of positions	3
Coding type	A

### Connection 2

Type	Valve connector A
Number of positions	3
Material	CuSn (Contact)
	Ag (Contact surface)
	PBT (Contact carrier)
	PBT (Housing)
Protective circuit	Z diode

## Environmental and real-life conditions

### Ambient conditions

Degree of protection	IP65
	IP67
Ambient temperature (operation) (male connector/female connector)	-25 °C ... 85 °C (Valve connector)

## Standards and regulations

### M12

Standard designation	M12 connector
Standards/specifications	IEC 61076-2-101

### Valve connector

Standard designation	Valve connector
Standards/specifications	EN 175301-803

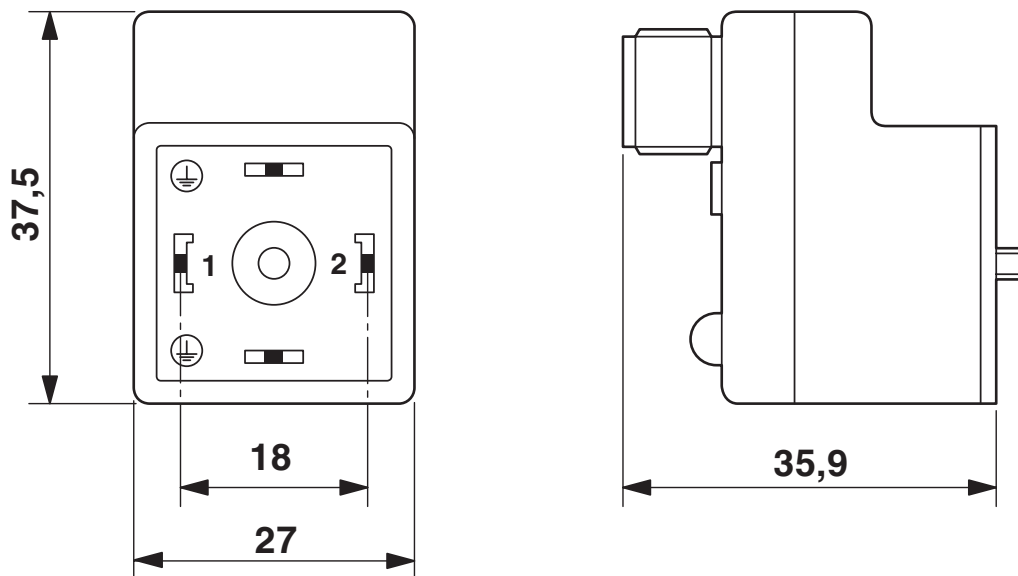
# SAC-3P-M12MS/A-1L-S - Valve connector

1505258

<https://www.phoenixcontact.com/us/products/1505258>

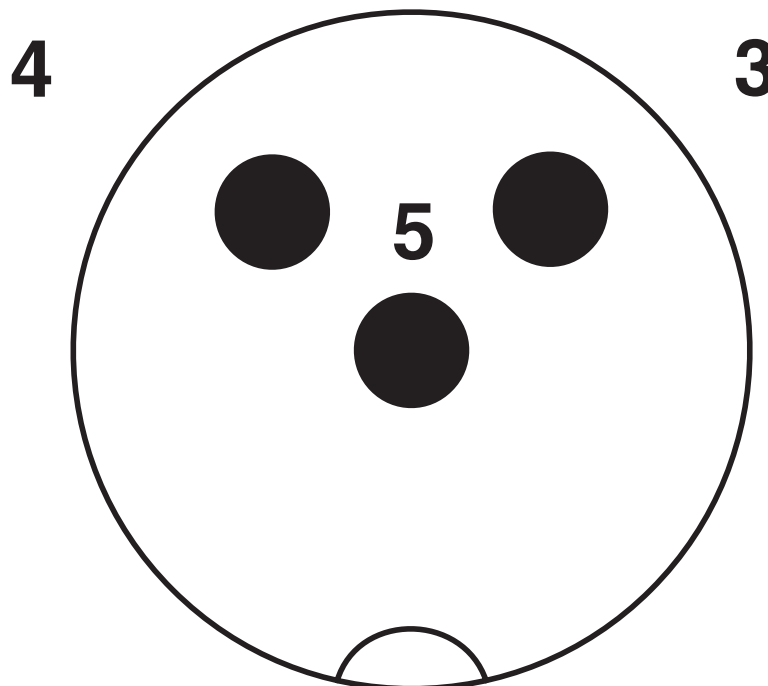
## Drawings

Dimensional drawing



Valve connector, type A with vertical M12 plug

Schematic diagram



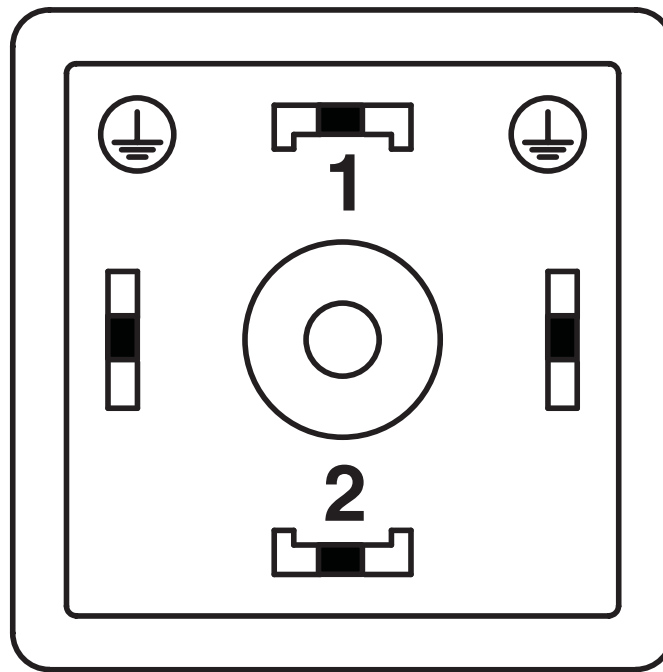
Pin assignment M12 plug, 3-pos., A-coded, view male side

# SAC-3P-M12MS/A-1L-S - Valve connector

1505258

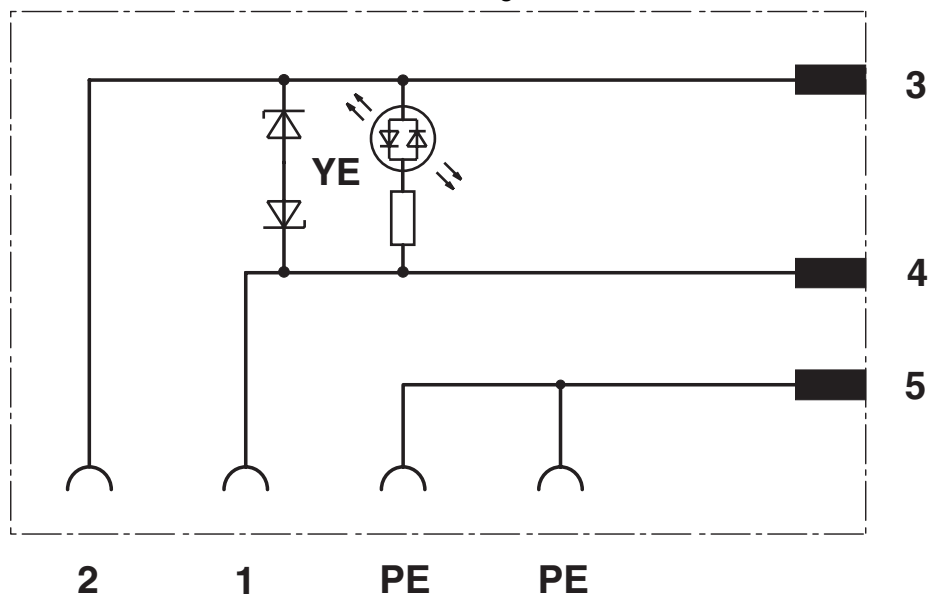
<https://www.phoenixcontact.com/us/products/1505258>

Schematic diagram



Valve connector pin assignment, type A

Circuit diagram



# SAC-3P-M12MS/A-1L-S - Valve connector



1505258

<https://www.phoenixcontact.com/us/products/1505258>

## Classifications

### ECLASS

ECLASS-15.0	27440105
ECLASS-13.0	27440105

# SAC-3P-M12MS/A-1L-S - Valve connector



1505258

<https://www.phoenixcontact.com/us/products/1505258>

## Environmental product compliance

### China RoHS

Environment friendly use period (EFUP)	EFUP-50
	An article-related China RoHS declaration table can be found in the download area for the respective article under "Manufacturer declaration". For all articles with EFUP-E, no China RoHS declaration table issued and required.

### EU REACH SVHC

REACH candidate substance (CAS No.)	No substance above 0.1 wt%
-------------------------------------	----------------------------

Phoenix Contact 2026 © - all rights reserved

<https://www.phoenixcontact.com>

Phoenix Contact USA  
586 Fulling Mill Road  
Middletown, PA 17057, United States  
(+717) 944-1300  
[info@phoenixcon.com](mailto:info@phoenixcon.com)