

# SAC-4P-M12MR/0,15-PUR/M12FR TP - Sensor/actuator cable



1505164

<https://www.phoenixcontact.com/us/products/1505164>

Please be informed that the data shown in this PDF document is generated from our online catalog. Please find the complete data in the user documentation. Our general terms of use for downloads are valid.



Sensor/actuator cable, 4-position, PUR/PVC, green RAL 6017, Plug angled M12, coding: A, on Socket angled M12, coding: A, cable length: 0.15 m

## Commercial data

Item number	1505164
Packing unit	1 pc
Note	Made to order (non-returnable)
Sales key	BF03
Product key	AF1CCA
GTIN	4017918902346
Weight per piece (including packing)	33.9 g
Weight per piece (excluding packing)	33.9 g
Customs tariff number	85444290
Country of origin	PL

# SAC-4P-M12MR/0,15-PUR/M12FR TP - Sensor/actuator cable



1505164

<https://www.phoenixcontact.com/us/products/1505164>

## Technical data

### Product properties

Product type	Sensor/actuator cable
Number of positions	4
No. of cable outlets	1
Shielded	no
Coding	A

### Insulation characteristics

Overvoltage category	II
Degree of pollution	3

### Material specifications

Flammability rating according to UL 94	HB
Seal material	NBR
Material of grip body	TPU, hardly inflammable, self-extinguishing
Contact material	CuSn
Contact surface material	Ni/Au
Contact carrier material	TPU GF
Material for screw connection	Zinc die-cast, nickel-plated

### Electrical properties

Insulation resistance	$\geq 100 \text{ M}\Omega$
Nominal voltage $U_N$	250 V AC
	250 V DC
Nominal current $I_N$	4 A

### Mechanical properties

#### Mechanical data

Insertion/withdrawal cycles	$\geq 100$
-----------------------------	------------

### Signaling

Status display	no
Status display present	no

### Connector

#### Connection 1

Type	Plug angled M12
Number of positions	4
Coding type	A

#### Connection 2

Type	Socket angled M12
------	-------------------

# SAC-4P-M12MR/0,15-PUR/M12FR TP - Sensor/actuator cable



1505164

<https://www.phoenixcontact.com/us/products/1505164>

Number of positions	4
Coding type	A

## Cable/line

Cable length	0.15 m
--------------	--------

### PUR/PVC green [350]

Number of positions	4
Shielded	no
Cable type	PUR/PVC green [350]
Conductor structure signal line	28x 0.15 mm
AWG signal line	20
Conductor cross-section	0.5 mm <sup>2</sup>
External cable diameter	7.8 mm
Outer sheath, material	PUR
External sheath, color	green RAL 6017
Conductor material	Bare Cu litz wires
Material wire insulation	PVC
Single wire, color	brown-white, green-yellow
Thickness, insulation	Core insulation approx. 1.00 mm (Inner sheath) approx. 0.70 mm (Outer cable sheath)
Nominal voltage, cable	300 V
Test voltage	1500 V
Smallest bending radius, movable installation	78 mm
Dynamic load capacity (bending)	Max. bending cycles: 2000000, Bending radius: 78 mm, Traversing path: 5 m, Traversing rate: 3 m/s
Ambient temperature (operation)	-25 °C ... 80 °C (cable, fixed installation) -5 °C ... 80 °C (Cable, flexible installation)

## Environmental and real-life conditions

### Ambient conditions

Degree of protection	IP65 IP67 IP68
Ambient temperature (operation)	-25 °C ... 90 °C (Plug / socket) -40 °C ... 80 °C (cable, fixed installation) -5 °C ... 80 °C (Cable, flexible installation)

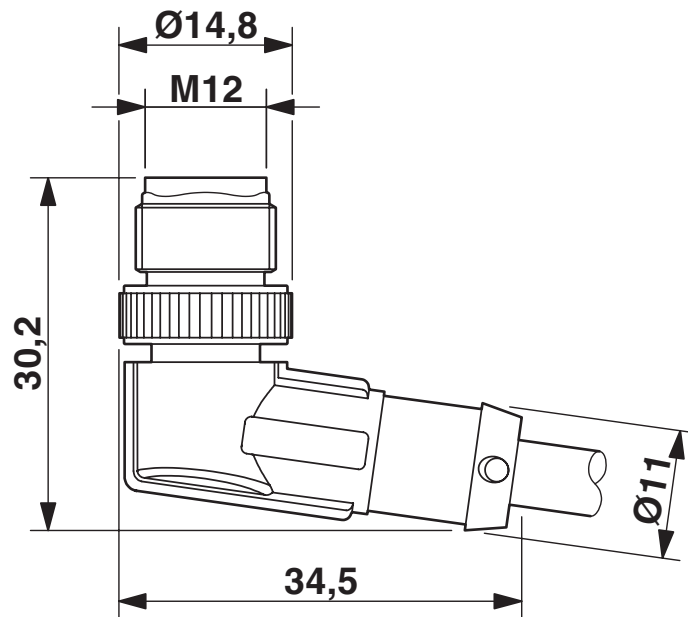
# SAC-4P-M12MR/0,15-PUR/M12FR TP - Sensor/actuator cable

1505164

<https://www.phoenixcontact.com/us/products/1505164>

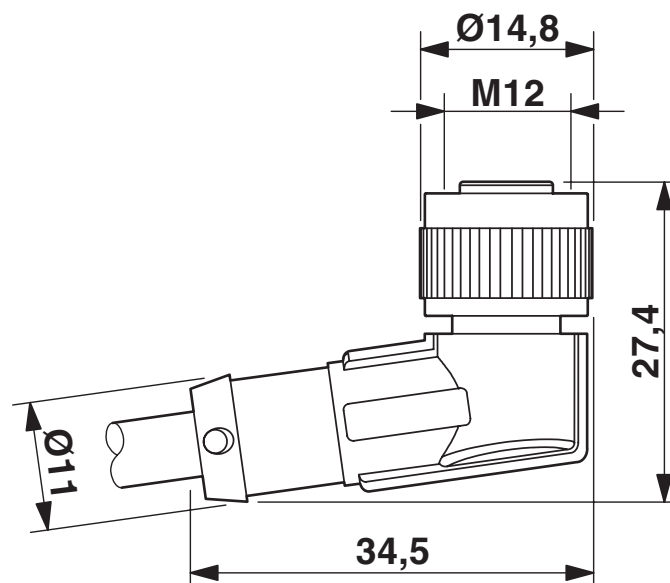
## Drawings

Dimensional drawing



M12 x 1 male plug, angled

Dimensional drawing



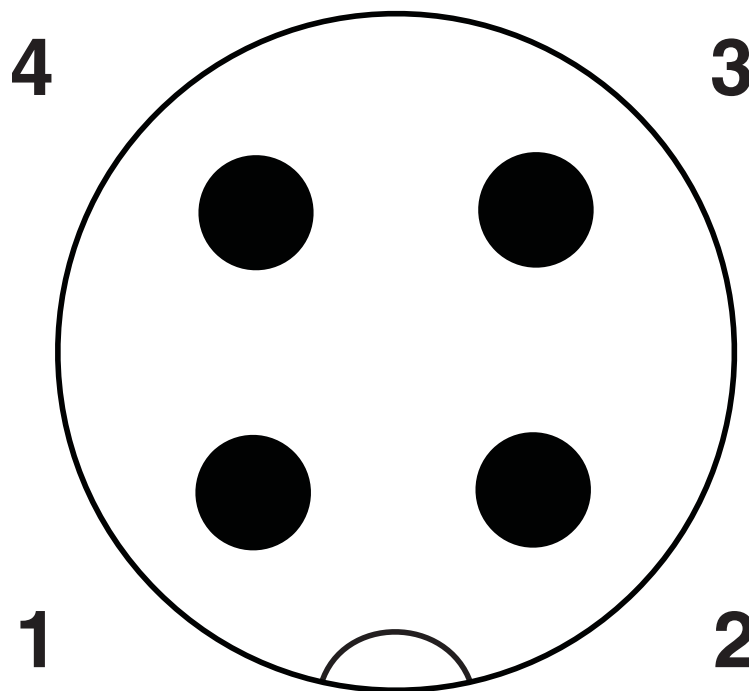
M12 x 1 socket, angled

# SAC-4P-M12MR/0,15-PUR/M12FR TP - Sensor/actuator cable

1505164

<https://www.phoenixcontact.com/us/products/1505164>

Schematic diagram



Pin assignment M12 plug, 4-pos., A-coded, view plug side

# SAC-4P-M12MR/0,15-PUR/M12FR TP - Sensor/actuator cable



1505164

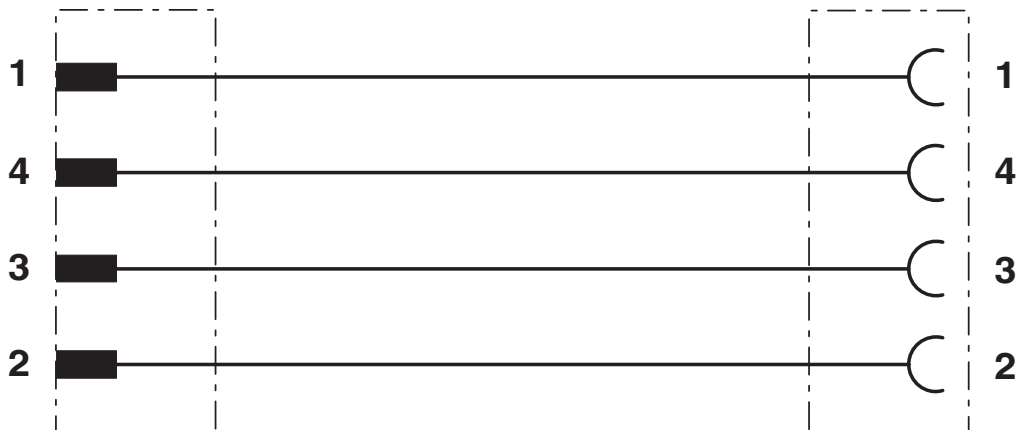
<https://www.phoenixcontact.com/us/products/1505164>

Schematic diagram



Pin assignment M12 socket, 4-pos., A-coded, view female side

Circuit diagram



# SAC-4P-M12MR/0,15-PUR/M12FR TP - Sensor/actuator cable



1505164

<https://www.phoenixcontact.com/us/products/1505164>

## Classifications

### ECLASS

ECLASS-15.0	27060311
ECLASS-13.0	27060311

# SAC-4P-M12MR/0,15-PUR/M12FR TP - Sensor/actuator cable



1505164

<https://www.phoenixcontact.com/us/products/1505164>

## Environmental product compliance

### China RoHS

Environment friendly use period (EFUP)	EFUP-50
	An article-related China RoHS declaration table can be found in the download area for the respective article under "Manufacturer declaration". For all articles with EFUP-E, no China RoHS declaration table issued and required.

### EU REACH SVHC

REACH candidate substance (CAS No.)	No substance above 0.1 wt%
-------------------------------------	----------------------------

Phoenix Contact 2026 © - all rights reserved  
<https://www.phoenixcontact.com>

Phoenix Contact USA  
586 Fulling Mill Road  
Middletown, PA 17057, United States  
(+717) 944-1300  
[info@phoenixcon.com](mailto:info@phoenixcon.com)