

# SAC-5P-M12MS/ 0,3-PUR/M12FS VW - Sensor/actuator cable



1501511

<https://www.phoenixcontact.com/us/products/1501511>

Please be informed that the data shown in this PDF document is generated from our online catalog. Please find the complete data in the user documentation. Our general terms of use for downloads are valid.



Sensor/actuator cable, 5-position, PUR halogen-free, irradiated, orange RAL 2003, Plug straight M12, coding: A, on Socket straight M12, coding: A, cable length: 0.3 m, Customer version

## Commercial data

Item number	1501511
Packing unit	5 pc
Minimum order quantity	1 pc
Product key	AF1CDA
GTIN	4017918604240
Weight per piece (including packing)	38.79 g
Weight per piece (excluding packing)	38.79 g
Country of origin	PL

# SAC-5P-M12MS/ 0,3-PUR/M12FS VW - Sensor/actuator cable



1501511

<https://www.phoenixcontact.com/us/products/1501511>

## Technical data

### Product properties

Product type	Sensor/actuator cable
Number of positions	5
No. of cable outlets	1
Shielded	no
Coding	A

### Insulation characteristics

Overvoltage category	II
Degree of pollution	3

### Material specifications

Flammability rating according to UL 94	HB
Seal material	NBR
Material of grip body	TPU, hardly inflammable, self-extinguishing
Contact material	CuSn
Contact surface material	Ni/Au
Contact carrier material	TPU GF
Material for screw connection	Zinc die-cast, nickel-plated

### Electrical properties

Insulation resistance	≥ 100 MΩ
Nominal voltage $U_N$	48 V AC
	60 V DC
Nominal current $I_N$	4 A

### Mechanical properties

#### Mechanical data

Insertion/withdrawal cycles	≥ 100
-----------------------------	-------

### Signaling

Status display	no
Status display present	no

### Connector

#### Connection 1

Type	Plug straight M12
Number of positions	5
Coding type	A

#### Connection 2

Type	Socket straight M12
------	---------------------

# SAC-5P-M12MS/ 0,3-PUR/M12FS VW - Sensor/actuator cable



1501511


<https://www.phoenixcontact.com/us/products/1501511>

Number of positions	5
Coding type	A

## Cable/line

Cable length	0.3 m
--------------	-------

PUR irradiated halogen-free orange [150]

Dimensional drawing	
Number of positions	5
Shielded	no
Cable type	PUR irradiated halogen-free orange [150]
Conductor structure signal line	42x 0.10 mm
AWG signal line	22
Conductor structure, voltage supply	24x 0.15 mm
AWG power supply	20
Conductor cross-section	4x 0.34 mm <sup>2</sup> (Signal line) 1x 0.5 mm <sup>2</sup> (PE connection)
External cable diameter	5.20 mm ±0.2 mm
Outer sheath, material	PUR
External sheath, color	orange RAL 2003
Conductor material	Bare Cu litz wires
Material wire insulation	PE
Single wire, color	brown, white, blue, black, green-yellow
Overall twist	5 cores, twisted
Max. conductor resistance	≤ 57.5 Ω/km (with 0.34 mm <sup>2</sup> conductor cross-section) ≤ 39 Ω/km (with 0.5 mm <sup>2</sup> conductor cross-section)
Nominal voltage, cable	250 V (AC)
Test voltage	2000 V (50 Hz, 5 minutes)
Smallest bending radius, fixed installation	20 mm
Smallest bending radius, movable installation	30 mm
Dynamic load capacity (bending)	Max. bending cycles: 5000000, Bending radius: 52 mm, Traversing path: 10 m, Traversing rate: 3 m/s
Halogen-free	The cable is halogen-free
Flame resistance	DIN VDE 0472 part 804, test type B
Other resistance	hydrolysis and microbe resistant UV resistant Resistant to welding splashes

# SAC-5P-M12MS/ 0,3-PUR/M12FS VW - Sensor/actuator cable



1501511

<https://www.phoenixcontact.com/us/products/1501511>

Special properties	Silicone-free
	Irradiated
Ambient temperature (operation)	-50 °C ... 105 °C (cable, fixed installation)
	-40 °C ... 105 °C (Cable, flexible installation)

## Environmental and real-life conditions

### Ambient conditions

Degree of protection	IP65
	IP67
	IP68
Ambient temperature (operation) (male connector/female connector)	-25 °C ... 90 °C (Plug / socket)
Ambient temperature (operation) (Cable, fixed installation)	-50 °C ... 105 °C (cable, fixed installation)
Ambient temperature (operation) (flexible installation)	-40 °C ... 105 °C (Cable, flexible installation)

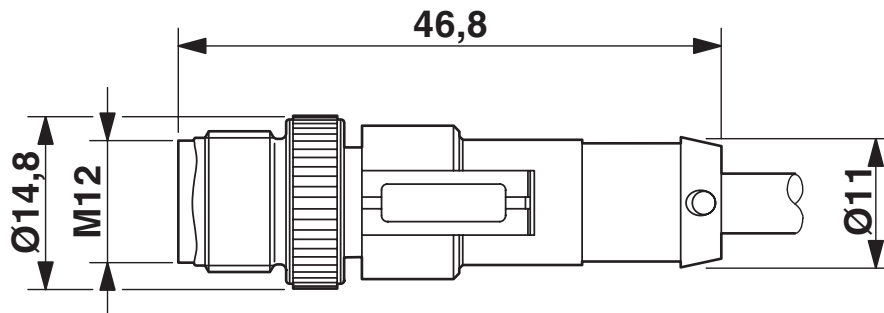
# SAC-5P-M12MS/ 0,3-PUR/M12FS VW - Sensor/actuator cable

1501511

<https://www.phoenixcontact.com/us/products/1501511>

## Drawings

Dimensional drawing



Plug, M12 x 1, straight, shielded

Dimensional drawing



M12 x 1 socket, straight

# SAC-5P-M12MS/ 0,3-PUR/M12FS VW - Sensor/actuator cable

1501511

<https://www.phoenixcontact.com/us/products/1501511>

Schematic diagram



Pin assignment M12 male connector, 5-pos., A-coded, male side

Schematic diagram



Pin assignment M12 socket, 5-pos., A-coded, socket side view

# SAC-5P-M12MS/ 0,3-PUR/M12FS VW - Sensor/actuator cable



1501511

<https://www.phoenixcontact.com/us/products/1501511>

Circuit diagram



Contact assignment of the M12 plug and the M12 socket

# SAC-5P-M12MS/ 0,3-PUR/M12FS VW - Sensor/actuator cable



1501511

<https://www.phoenixcontact.com/us/products/1501511>

## Classifications

### ECLASS

ECLASS-13.0	27060311
ECLASS-15.0	27060311

### UNSPSC

UNSPSC 21.0	31251501
-------------	----------

# SAC-5P-M12MS/ 0,3-PUR/M12FS VW - Sensor/actuator cable



1501511

<https://www.phoenixcontact.com/us/products/1501511>

## Environmental product compliance

### EU RoHS

Fulfills EU RoHS substance requirements	Yes, No exemptions
---	--------------------

### China RoHS

Environment friendly use period (EFUP)	EFUP-E
	No hazardous substances above the limits

### EU REACH SVHC

REACH candidate substance (CAS No.)	No substance above 0.1 wt%
-------------------------------------	----------------------------

Phoenix Contact 2026 © - all rights reserved  
<https://www.phoenixcontact.com>

Phoenix Contact USA  
586 Fulling Mill Road  
Middletown, PA 17057, United States  
(+717) 944-1300  
[info@phoenixcon.com](mailto:info@phoenixcon.com)