

# SAC-3P-M 8MS/ 6,0-PUR/M12FR - Sensor/actuator cable



1501498

<https://www.phoenixcontact.com/us/products/1501498>

Please be informed that the data shown in this PDF document is generated from our online catalog. Please find the complete data in the user documentation. Our general terms of use for downloads are valid.



Sensor/actuator cable, 3-position, PUR halogen-free, black-gray RAL 7021, Plug straight M8, coding: A, on Socket angled M12, coding: A, cable length: 6 m

## Commercial data

|                                      |                                |
|--------------------------------------|--------------------------------|
| Item number                          | 1501498                        |
| Packing unit                         | 1 pc                           |
| Minimum order quantity               | 1 pc                           |
| Note                                 | Made to order (non-returnable) |
| Sales key                            | BF03                           |
| Product key                          | AF1CBA                         |
| GTIN                                 | 4017918613518                  |
| Weight per piece (including packing) | 125.3 g                        |
| Weight per piece (excluding packing) | 120 g                          |
| Customs tariff number                | 85444290                       |
| Country of origin                    | DE                             |

# SAC-3P-M 8MS/ 6,0-PUR/M12FR - Sensor/actuator cable



1501498

<https://www.phoenixcontact.com/us/products/1501498>

## Technical data

### Product properties

|                      |                       |
|----------------------|-----------------------|
| Product type         | Sensor/actuator cable |
| Number of positions  | 3                     |
| No. of cable outlets | 1                     |
| Shielded             | no                    |
| Coding               | A                     |

### Insulation characteristics

|                      |    |
|----------------------|----|
| Overvoltage category | II |
| Degree of pollution  | 3  |

### Material specifications

|  |   |
|--|---|
| Flammability rating according to UL 94 | HB  |
| Seal material                          | NBR   |
| Material of grip body                  | TPU, hardly inflammable, self-extinguishing |
| Contact material                       | CuSn  |
| Contact surface material               | Ni/Au                                       |
| Contact carrier material               | TPU GF                                      |
| Material for screw connection          | Zinc die-cast, nickel-plated                |
| Outer sheath, material                 | PUR   |
| Conductor material                     | Bare Cu litz wires                          |

### Electrical properties

|                           |                            |
|---------------------------|----------------------------|
| Insulation resistance     | $\geq 100 \text{ M}\Omega$ |
| Nominal voltage $U_N$     | 48 V AC                    |
|                           | 60 V DC                    |
| Nominal current $I_N$     | 4 A                        |
| Max. conductor resistance | 77.6 $\Omega/\text{m}$     |

### Mechanical properties

#### Mechanical data

|                             |            |
|-----------------------------|------------|
| Insertion/withdrawal cycles | $\geq 100$ |
| Max. bending cycles         | 4000000    |

### Signaling

|                        |    |
|------------------------|----|
| Status display         | no |
| Status display present | no |

### Connector

#### Connection 1

|      |                  |
|------|------------------|
| Type | Plug straight M8 |
|------|------------------|

# SAC-3P-M 8MS/ 6,0-PUR/M12FR - Sensor/actuator cable

1501498

<https://www.phoenixcontact.com/us/products/1501498>

|                     |   |
|---------------------|---|
| Number of positions | 3 |
| Coding type         | A |

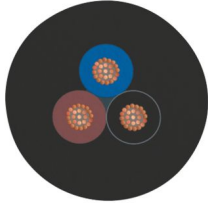
## Connection 2

|                     |                   |
|---------------------|-------------------|
| Type                | Socket angled M12 |
| Number of positions | 3                 |
| Coding type         | A                 |

## Cable/line

|              |     |
|--------------|-----|
| Cable length | 6 m |
|--------------|-----|

## PUR halogen-free black [PUR]

|   |   |
|---|---|
| Dimensional drawing                           |  |
| Cable weight                                  | 18 kg/km  |
| UL AWM Style                                  | 20549 / 10493 (80°C/300 V)  |
| Number of positions                           | 3   |
| Shielded                                      | no  |
| Cable type                                    | PUR halogen-free black [PUR]  |
| Conductor structure signal line               | 32x 0.10 mm   |
| AWG signal line                               | 24  |
| Conductor cross-section                       | 3x 0.25 mm <sup>2</sup> (Signal line)   |
| Wire diameter incl. insulation                | 1.17 mm ±0.02 mm  |
| External cable diameter                       | 3.60 mm ±0.15 mm  |
| Outer sheath, material                        | PUR   |
| External sheath, color                        | black-gray RAL 7021   |
| Conductor material                            | Bare Cu litz wires  |
| Material wire insulation                      | PP  |
| Single wire, color                            | brown, blue, black  |
| Thickness, insulation                         | ≥ 0.21 mm (Core insulation)   |
| Thickness, outer sheath                       | approx. 0.50 mm   |
| Overall twist                                 | 3 wires, twisted  |
| Length of twist, overall twist                | 40 mm   |
| Max. conductor resistance                     | ≤ 78 Ω/km (at 20 °C)  |
| Insulation resistance                         | ≥ 100 GΩ*km (at 20 °C)  |
| Nominal voltage, cable                        | ≤ 300 V   |
| Test voltage                                  | ≥ 3000 V  |
| Smallest bending radius, fixed installation   | 18 mm   |
| Smallest bending radius, movable installation | 36 mm   |

# SAC-3P-M 8MS/ 6,0-PUR/M12FR - Sensor/actuator cable



1501498

<https://www.phoenixcontact.com/us/products/1501498>

|                                 |   |
|---------------------------------|---|
| Dynamic load capacity (bending) | Max. bending cycles: 10000000, Bending radius: 44 mm, Traversing path: 10 m, Traversing rate: 3 m/s, Acceleration: 10 m/s <sup>2</sup>  |
| Dynamic load capacity (torsion) | Torsion: $\pm 180^\circ/\text{m}$ , Torsion cycles: $\geq 5000000$ , Torsional frequency: 35 cycles/min.  |
| Halogen-free                    | in accordance with DIN VDE 0472 part 815  |
| Flame resistance                | in accordance with UL 758/1581 FT2<br>DIN EN 60332-2-2 (20 s)   |
| Resistance to oil               | in accordance with DIN EN 60811-2-1   |
| Other resistance                | hydrolysis and microbe resistant<br>Highly resistant to acids, alkaline solutions and solvents<br>Resistant to salt water<br>partly UV-resistant (in accordance with DIN EN ISO 4892-2-A) |
| Special properties              | Flexible cable conduit capable<br>Silicone-free<br>Free of substances which would hinder coating with paint or varnish  |
| Ambient temperature (operation) | -40 °C ... 80 °C (cable, fixed installation)<br>-25 °C ... 80 °C (Cable, flexible installation)   |

## Environmental and real-life conditions

### Ambient conditions

|                                 |  |
|---------------------------------|--|
| Degree of protection            | IP65<br>IP67<br>IP68   |
| Ambient temperature (operation) | -25 °C ... 90 °C (Plug / socket)<br>-40 °C ... 80 °C (cable, fixed installation)<br>-5 °C ... 80 °C (Cable, flexible installation) |

# SAC-3P-M 8MS/ 6,0-PUR/M12FR - Sensor/actuator cable

1501498

<https://www.phoenixcontact.com/us/products/1501498>

## Drawings

Dimensional drawing



M8 x 1 male plug, straight version

Dimensional drawing



M12 x 1 socket, angled

# SAC-3P-M 8MS/ 6,0-PUR/M12FR - Sensor/actuator cable

1501498

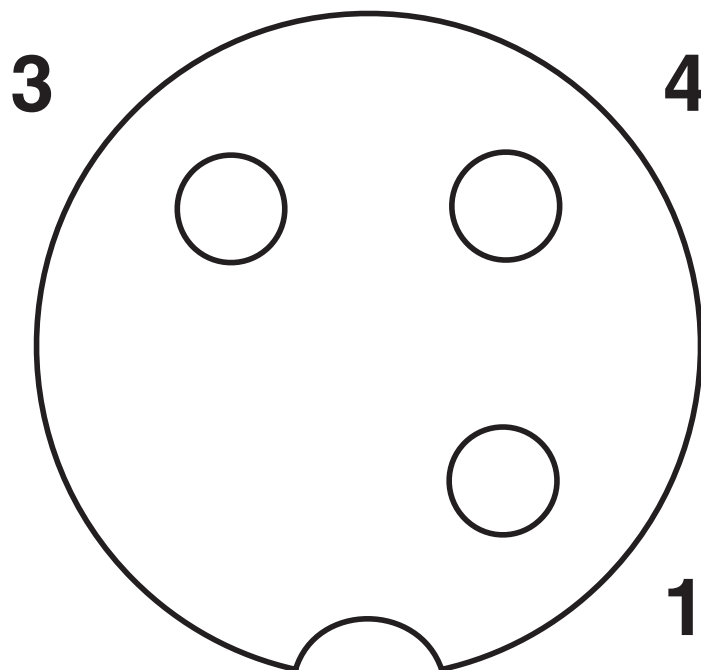
<https://www.phoenixcontact.com/us/products/1501498>

Schematic diagram



Pin assignment M8 plug, 3-pos., view male side

Schematic diagram



Pin assignment M12 socket, 3-pos., A-coded, view female side

# SAC-3P-M 8MS/ 6,0-PUR/M12FR - Sensor/actuator cable



1501498

<https://www.phoenixcontact.com/us/products/1501498>

Circuit diagram



Contact assignment of M8 plugs / M12 sockets

# SAC-3P-M 8MS/ 6,0-PUR/M12FR - Sensor/actuator cable



1501498

<https://www.phoenixcontact.com/us/products/1501498>

## Approvals

To download certificates, visit the product detail page: <https://www.phoenixcontact.com/us/products/1501498>

|  <b>UL Listed</b><br>Approval ID: FILE E 221474 |                       |                       |                   |                             |
|--|-----------------------|-----------------------|-------------------|-----------------------------|
|  | Nominal voltage $U_N$ | Nominal current $I_N$ | Cross section AWG | Cross section $\text{mm}^2$ |
| keine  |                       |                       |                   |                             |
|  | 60 V                  | 4 A                   | -                 | -                           |

|  <b>cUL Listed</b><br>Approval ID: FILE E 221474 |                       |                       |                   |                             |
|---|-----------------------|-----------------------|-------------------|-----------------------------|
|   | Nominal voltage $U_N$ | Nominal current $I_N$ | Cross section AWG | Cross section $\text{mm}^2$ |
| keine   |                       |                       |                   |                             |
|   | 60 V                  | 4 A                   | -                 | -                           |

# SAC-3P-M 8MS/ 6,0-PUR/M12FR - Sensor/actuator cable



1501498

<https://www.phoenixcontact.com/us/products/1501498>

## Classifications

### ECLASS

|             |          |
|-------------|----------|
| ECLASS-13.0 | 27060311 |
| ECLASS-15.0 | 27060311 |

### ETIM

|           |          |
|-----------|----------|
| ETIM 10.0 | EC001855 |
|-----------|----------|

### UNSPSC

|             |          |
|-------------|----------|
| UNSPSC 21.0 | 26121600 |
|-------------|----------|

# SAC-3P-M 8MS/ 6,0-PUR/M12FR - Sensor/actuator cable



1501498

<https://www.phoenixcontact.com/us/products/1501498>

## Environmental product compliance

### EU RoHS

|   |                    |
|---|--------------------|
| Fulfills EU RoHS substance requirements | Yes, No exemptions |
|---|--------------------|

### China RoHS

|  |  |
|--|--|
| Environment friendly use period (EFUP) | EFUP-E                                   |
|  | No hazardous substances above the limits |

### EU REACH SVHC

|                                     |                            |
|-------------------------------------|----------------------------|
| REACH candidate substance (CAS No.) | No substance above 0.1 wt% |
|-------------------------------------|----------------------------|

Phoenix Contact 2026 © - all rights reserved  
<https://www.phoenixcontact.com>

Phoenix Contact USA  
586 Fulling Mill Road  
Middletown, PA 17057, United States  
(+717) 944-1300  
[info@phoenixcon.com](mailto:info@phoenixcon.com)