

SAC-5,0PUR/A-L-S/0,2PUR/A-L-S - Sensor/actuator cable



1501249

<https://www.phoenixcontact.com/us/products/1501249>

Please be informed that the data shown in this PDF document is generated from our online catalog. Please find the complete data in the user documentation. Our general terms of use for downloads are valid.

Sensor/actuator cable, 3-position, PUR/PVC, black, free cable end, on Valve connector A, with 1 LED, Wiring: Z diode and Valve connector A, with 1 LED, Wiring: Z diode, cable length: 5 m



Commercial data

Item number	1501249
Packing unit	1 pc
Note	Made to order (non-returnable)
Sales key	NULL
Product key	AF1DGA
GTIN	4017918615437
Weight per piece (including packing)	444.32 g
Weight per piece (excluding packing)	444.32 g
Customs tariff number	85444290
Country of origin	CZ

SAC-5,0PUR/A-L-S/0,2PUR/A-L-S - Sensor/actuator cable



1501249

<https://www.phoenixcontact.com/us/products/1501249>

Technical data

Product properties

Product type	Sensor/actuator cable with valve connector
Number of positions	3
No. of cable outlets	1
Shielded	no

Insulation characteristics

Overvoltage category	II
Degree of pollution	3

Material specifications

Flammability rating according to UL 94	HB
Seal material	TPU
Material housing valve plug	PBT
Contact material	CuSn
Valve plug contact insert material	PBT
Contact surface material	Ag

Electrical properties

Insulation resistance	$\geq 100 \text{ M}\Omega$
Nominal voltage U_N	24 V
Nominal current I_N	4 A

Signaling

Status display	1 LED
Status display present	yes

Connector

Connection 1

Type	free cable end
------	----------------

Connection 2

Type	Valve connector A
Material	CuSn (Contact)
	Ag (Contact surface)
	PBT (Contact carrier)
	PBT (Housing)
Protective circuit	Z diode

Connection 3

Type	Valve connector A
Material	CuSn (Contact)
	Ag (Contact surface)

SAC-5,0PUR/A-L-S/0,2PUR/A-L-S - Sensor/actuator cable



1501249


<https://www.phoenixcontact.com/us/products/1501249>

	PBT (Contact carrier)
	PBT (Housing)
Protective circuit	Z diode

Cable/line

Cable length	5 m
--------------	-----

PUR/PVC, 0.75 mm², black [116]

Dimensional drawing	
Cable weight	57 kg/km
UL AWM Style	20549
Number of positions	4
Shielded	no
Cable type	PUR/PVC, 0.75 mm ² , black [116]
Conductor structure signal line	24x 0.20 mm
AWG signal line	18
Conductor cross-section	4x 0.75 mm ²
Wire diameter incl. insulation	1.7 mm ±0.05 mm
External cable diameter	6.30 mm ±0.2 mm
Outer sheath, material	PUR
External sheath, color	black
Conductor material	Bare Cu litz wires
Material wire insulation	PVC
Single wire, color	black 1, black 2, black 3, green/yellow
Overall twist	4 wires, twisted
Max. conductor resistance	26 Ω/km (at 20 °C)
Insulation resistance	≥ 20 MΩ*km
Nominal voltage, cable	300 V
Test voltage	1200 V
Smallest bending radius, fixed installation	63 mm
Flame resistance	according to DIN VDE 0482 According to DIN EN 50265-2-1 in acc. with UL FT-2
Ambient temperature (operation)	-5 °C ... 80 °C (Cable, flexible installation) -40 °C ... 80 °C (cable, fixed installation)

Environmental and real-life conditions

SAC-5,0PUR/A-L-S/0,2PUR/A-L-S - Sensor/actuator cable



1501249

<https://www.phoenixcontact.com/us/products/1501249>

Ambient conditions

Degree of protection	IP67
Ambient temperature (operation)	-20 °C ... 80 °C (Valve connector)
	-20 °C ... 80 °C (cable, fixed installation)
	-5 °C ... 70 °C (Cable, flexible installation)

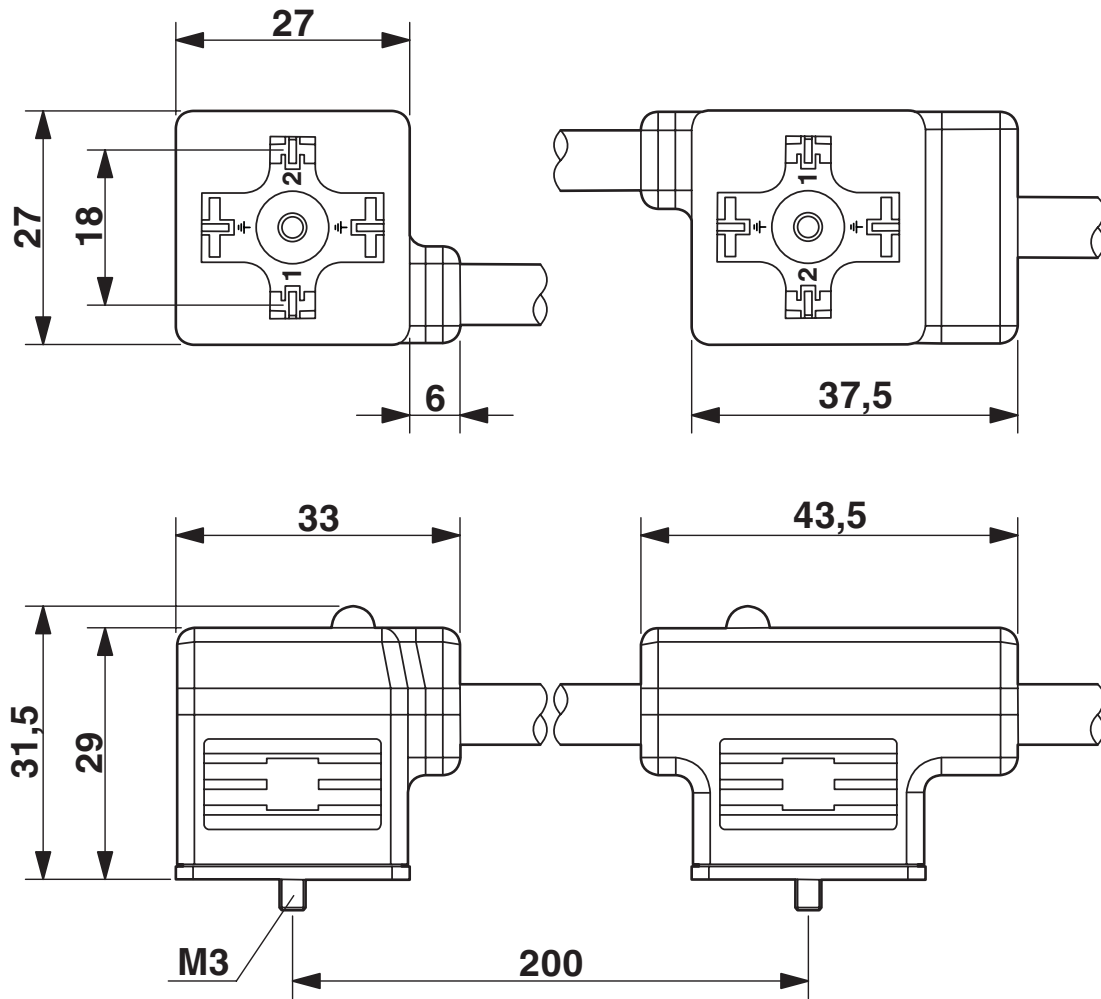
SAC-5,0PUR/A-L-S/0,2PUR/A-L-S - Sensor/actuator cable

1501249

<https://www.phoenixcontact.com/us/products/1501249>

Drawings

Dimensional drawing



Double valve connector, 2x type A

SAC-5,0PUR/A-L-S/0,2PUR/A-L-S - Sensor/actuator cable

1501249

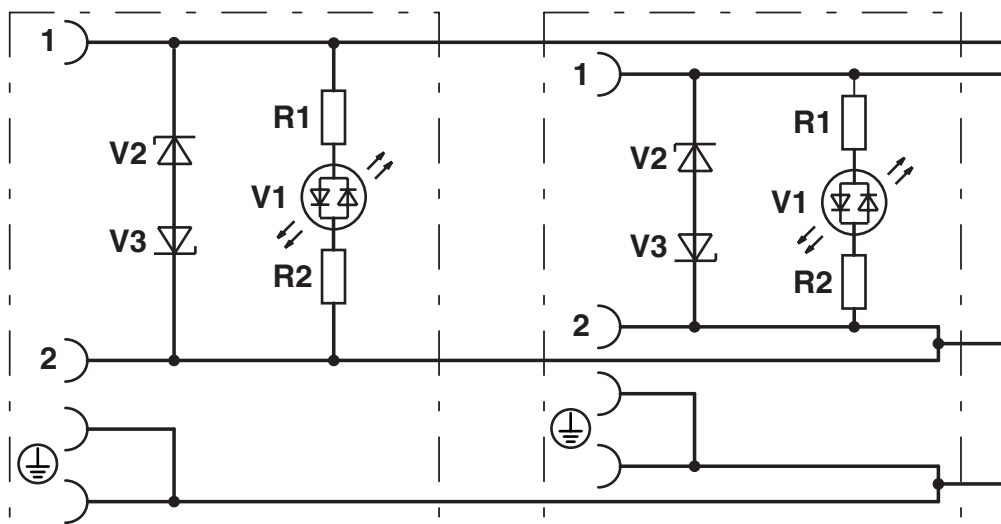
<https://www.phoenixcontact.com/us/products/1501249>

Schematic diagram



Valve connector pin assignment, type A

Circuit diagram



Wiring of double valve connector cable

SAC-5,0PUR/A-L-S/0,2PUR/A-L-S - Sensor/actuator cable



1501249

<https://www.phoenixcontact.com/us/products/1501249>

Classifications

ECLASS

ECLASS-13.0	27060312
ECLASS-15.0	27060312

SAC-5,0PUR/A-L-S/0,2PUR/A-L-S - Sensor/actuator cable



1501249

<https://www.phoenixcontact.com/us/products/1501249>

Environmental product compliance

China RoHS

Environment friendly use period (EFUP)	EFUP-50
	An article-related China RoHS declaration table can be found in the download area for the respective article under "Manufacturer declaration". For all articles with EFUP-E, no China RoHS declaration table issued and required.

EU REACH SVHC

REACH candidate substance (CAS No.)	No substance above 0.1 wt%
-------------------------------------	----------------------------

Phoenix Contact 2026 © - all rights reserved
<https://www.phoenixcontact.com>

Phoenix Contact USA
586 Fulling Mill Road
Middletown, PA 17057, United States
(+717) 944-1300
info@phoenixcon.com