

SAC-5P-M12MS/ 3,0-PUR/M12FS SH - Sensor/actuator cable



1500910

<https://www.phoenixcontact.com/us/products/1500910>

Please be informed that the data shown in this PDF document is generated from our online catalog. Please find the complete data in the user documentation. Our general terms of use for downloads are valid.



Sensor/actuator cable, 5-position, PUR halogen-free, black-gray RAL 7021, shielded (Advanced Shielding Technology), Plug straight M12, coding: A, on Socket straight M12, coding: A, cable length: 3 m

Your advantages

- Easy and safe: 100 % electrically tested plug-in components
- Reliable signal transmission – 360° shielding in environments with electromagnetic interference

Commercial data

Item number	1500910
Packing unit	1 pc
Minimum order quantity	1 pc
Sales key	BF03
Product key	AF1CKA
GTIN	4017918612290
Weight per piece (including packing)	160.3 g
Weight per piece (excluding packing)	150 g
Customs tariff number	85444290
Country of origin	PL

SAC-5P-M12MS/ 3,0-PUR/M12FS SH - Sensor/actuator cable



1500910

<https://www.phoenixcontact.com/us/products/1500910>

Technical data

Product properties

Product type	Sensor/actuator cable
Application	Standard
Number of positions	5
No. of cable outlets	1
Shielded	yes
Coding	A

Insulation characteristics

Overvoltage category	II
Degree of pollution	3

Material specifications

Flammability rating according to UL 94	HB
Seal material	NBR
Material of grip body	TPU, hardly inflammable, self-extinguishing
Contact material	CuSn
Contact surface material	Ni/Au
Contact carrier material	TPU GF
Material for screw connection	Zinc die-cast, nickel-plated

Electrical properties

Insulation resistance	$\geq 100 \text{ M}\Omega$
Nominal voltage U_N	48 V AC
	60 V DC
Nominal current I_N	4 A

Mechanical properties

Mechanical data

Insertion/withdrawal cycles	≥ 100
-----------------------------	------------

Signaling

Status display	no
Status display present	no

Connection data

Conductor connection

Tightening torque	0.4 Nm (M12 connector)
-------------------	------------------------

Connector

Connection 1

SAC-5P-M12MS/ 3,0-PUR/M12FS SH - Sensor/actuator cable



1500910

<https://www.phoenixcontact.com/us/products/1500910>

Type	M12 Plug, straight, 5-position, Keying: A
Number of positions	5
Shielded	yes
Insertion/withdrawal cycles	≥ 100
Material Contact	CuSn
Material Contact surface	Ni/Au
Material Contact carrier	TPU
Material Grip body	TPU, hardly inflammable, self-extinguishing
Material Screw connection	Die-cast zinc, nickel-plated
Flammability rating according to UL 94	HB
Degree of protection	IP65 IP67
Ambient temperature (operation)	-25 °C ... 90 °C
Standard designation	M12 connector
Standards/regulations	IEC 61076-2-101

Connection 2

Type	M12 Socket, straight, 5-position, Keying: A
Number of positions	5
Shielded	yes
Insertion/withdrawal cycles	≥ 100
Material Contact	CuSn
Material Contact surface	Ni/Au
Material Contact carrier	TPU
Material Grip body	TPU, hardly inflammable, self-extinguishing
Material Seal	NBR
Material Screw connection	Die-cast zinc, nickel-plated
Flammability rating according to UL 94	HB
Degree of protection	IP65 IP67
Ambient temperature (operation)	-25 °C ... 90 °C
Standard designation	M12 connector
Standards/regulations	IEC 61076-2-101

Cable/line

Cable length	3 m
--------------	-----

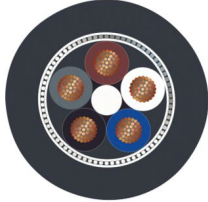
PUR halogen-free black [PUR]

SAC-5P-M12MS/ 3,0-PUR/M12FS SH - Sensor/actuator cable



1500910

<https://www.phoenixcontact.com/us/products/1500910>

Dimensional drawing	
Cable weight	43 kg/km
UL AWM Style	20549 / 10493 (80°C/300 V)
Number of positions	5
Shielded	yes
Cable type	PUR halogen-free black [PUR]
Conductor structure signal line	42x 0.10 mm
AWG signal line	22
Conductor cross-section	5x 0.34 mm ² (Signal line)
Wire diameter incl. insulation	1.27 mm ±0.02 mm (Signal line)
External cable diameter	5.25 mm ±0.2 mm
Outer sheath, material	PUR
External sheath, color	black-gray RAL 7021
Conductor material	Bare Cu litz wires
Material wire insulation	PP
Single wire, color	brown, white, blue, black, gray
Thickness, insulation	≥ 0.21 mm
Thickness, outer sheath	approx. 0.50 mm
Overall twist	5 wires around filler to the core
Optical shield covering	80 %
Max. conductor resistance	max. 57 Ω/km (at 20 °C)
Insulation resistance	70 GΩ*km (at 20 °C)
Nominal voltage, cable	300 V (at 20 °C)
Test voltage Core/Core	3000 V (at 20 °C)
Smallest bending radius, fixed installation	26 mm
Smallest bending radius, movable installation	52 mm (up to +60 °C)
Dynamic load capacity (bending)	Max. bending cycles: 10000000, Bending radius: 52 mm, Traversing path: 10 m, Traversing rate: 3 m/s, Acceleration: 10 m/s ²
Dynamic load capacity (torsion)	Torsion: ±180 °/m, Torsion cycles: ≥5000000, Torsional frequency: 35 cycles/min.
Halogen-free	in accordance with DIN VDE 0472 part 815 in accordance with DIN EN 50267-2-1
Flame resistance	in accordance with UL 758/1581 FT2 DIN EN 60332-2-2 (20 s)
Resistance to oil	in accordance with DIN EN 60811-2-1
	Highly resistant to acids, alkaline solutions and solvents

SAC-5P-M12MS/ 3,0-PUR/M12FS SH - Sensor/actuator cable



1500910

<https://www.phoenixcontact.com/us/products/1500910>

Other resistance	hydrolysis and microbe resistant
	Resistant to salt water
	partly UV-resistant (in accordance with DIN EN ISO 4892-2-A)
	abrasion-resistant
Special properties	Flexible cable conduit capable
	Silicone-free
	Free of substances which would hinder coating with paint or varnish
	Low adhesion surface
Ambient temperature (operation)	-40 °C ... 80 °C (cable, fixed installation)
	-25 °C ... 80 °C (Cable, flexible installation)

Environmental and real-life conditions

Ambient conditions

Degree of protection	IP65
	IP67
Ambient temperature (operation) (male connector/female connector)	-25 °C ... 90 °C (Plug / socket)
Ambient temperature (operation) (Cable, fixed installation)	-25 °C ... 80 °C (cable, fixed installation)
Ambient temperature (operation) (Cable, flexible installation)	-5 °C ... 80 °C (Cable, flexible installation)

Standards and regulations

Standard designation	M12 connector
Standards/specifications	IEC 61076-2-101

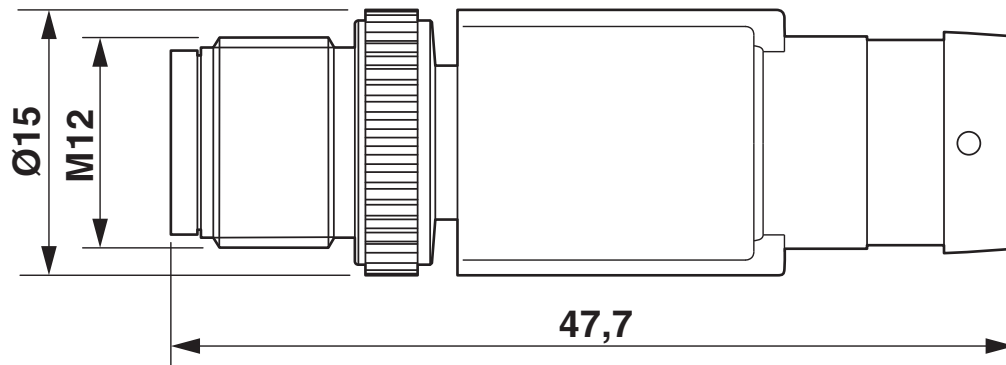
SAC-5P-M12MS/ 3,0-PUR/M12FS SH - Sensor/actuator cable

1500910

<https://www.phoenixcontact.com/us/products/1500910>

Drawings

Dimensional drawing



Plug, M12 x 1, straight, shielded

Dimensional drawing



M12 x 1 socket, straight, shielded

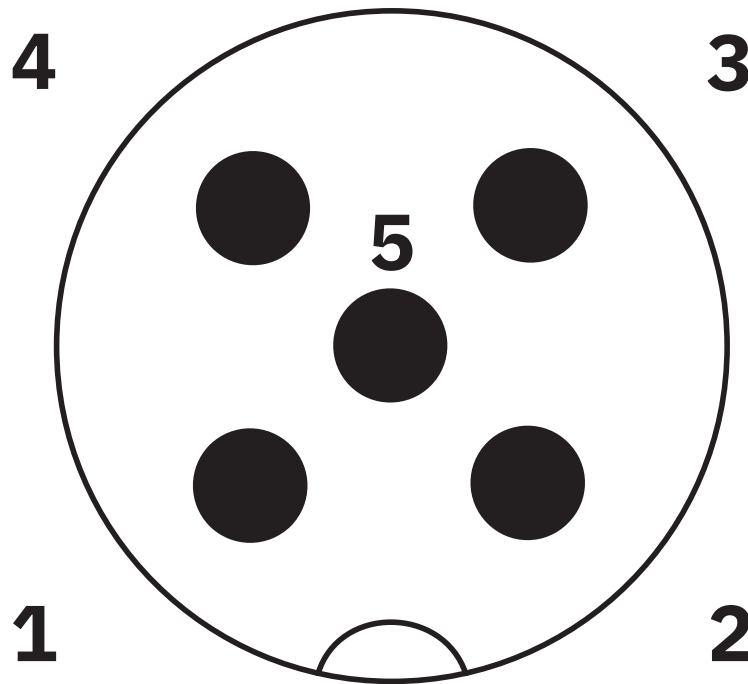
SAC-5P-M12MS/ 3,0-PUR/M12FS SH - Sensor/actuator cable



1500910

<https://www.phoenixcontact.com/us/products/1500910>

Schematic diagram



Pin assignment M12 male connector, 5-pos., A-coded, male side

Schematic diagram



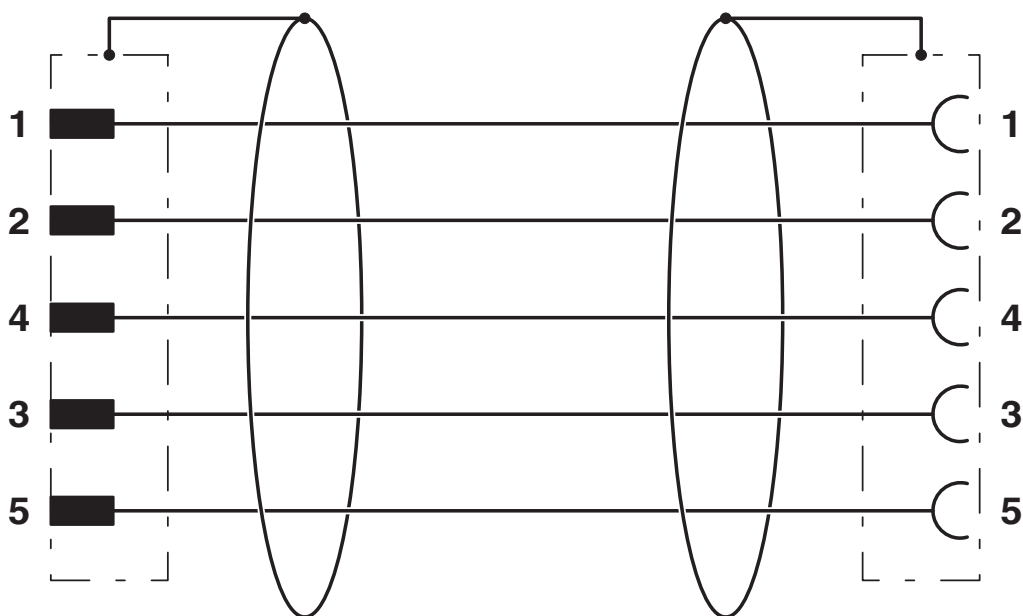
Pin assignment M12 socket, 5-pos., A-coded, socket side view

SAC-5P-M12MS/ 3,0-PUR/M12FS SH - Sensor/actuator cable

1500910

<https://www.phoenixcontact.com/us/products/1500910>

Circuit diagram



Contact assignment of the M12 plug and the M12 socket

SAC-5P-M12MS/ 3,0-PUR/M12FS SH - Sensor/actuator cable





1500910

<https://www.phoenixcontact.com/us/products/1500910>

Approvals

To download certificates, visit the product detail page: <https://www.phoenixcontact.com/us/products/1500910>

 UL Listed Approval ID: FILE E 221474				
	Nominal voltage U_N	Nominal current I_N	Cross section AWG	Cross section mm^2
keine				
	125 V	4 A	-	-

 cUL Listed Approval ID: FILE E 221474				
	Nominal voltage U_N	Nominal current I_N	Cross section AWG	Cross section mm^2
keine				
	125 V	4 A	-	-

 EAC-RoHS Approval ID: RU D-DE.HB35.B.00387	
--	--

SAC-5P-M12MS/ 3,0-PUR/M12FS SH - Sensor/actuator cable



1500910

<https://www.phoenixcontact.com/us/products/1500910>

Classifications

ECLASS

ECLASS-13.0	27060311
ECLASS-15.0	27060311

ETIM

ETIM 10.0	EC001855
-----------	----------

UNSPSC

UNSPSC 21.0	26121600
-------------	----------

SAC-5P-M12MS/ 3,0-PUR/M12FS SH - Sensor/actuator cable



1500910

<https://www.phoenixcontact.com/us/products/1500910>

Environmental product compliance

EU RoHS

Fulfills EU RoHS substance requirements	Yes, No exemptions
---	--------------------

China RoHS

Environment friendly use period (EFUP)	EFUP-E
	No hazardous substances above the limits

EU REACH SVHC

REACH candidate substance (CAS No.)	No substance above 0.1 wt%
-------------------------------------	----------------------------

EF3.1 Climate Change

CO2e kg	2.865 kg CO2e
---------	---------------

Phoenix Contact 2026 © - all rights reserved
<https://www.phoenixcontact.com>

Phoenix Contact USA
586 Fulling Mill Road
Middletown, PA 17057, United States
(+717) 944-1300
info@phoenixcon.com